

1000 is known as: 1000-USA

1000-USA bulb specifications:

category: **Miniature**

volt: **6.2**

amp: **3.9**

watt: **24.2**

base: **BA15d** - Double Contact Candelabra Bayonet (or D.C.Bayonet)

glass: **RP11**

filament: **C2V/C2V**

fil.res.: **1.59 ohm**

i.lumens: **402 / 402**

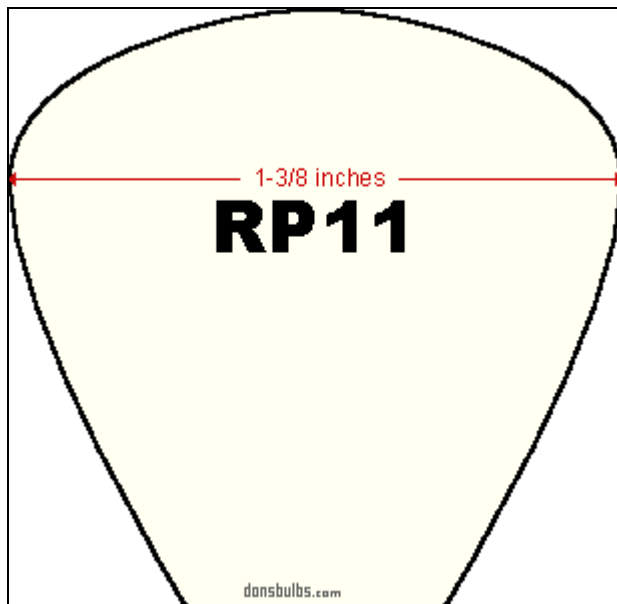
cp: **32 / 32**

d.hours: **125**

notes:

Headlight

uses socket: [DB-BA15D1](#)



usual shape of **RP11** glass envelopes (not to scale)

1000-USA

also known as

Cross-Reference:

1000-USA

1000

1000-168-BMC

1000-BMC

1000-GE

1000-LECTRA

1000-LUGON

1000-MAZDA

1000-WESTINGHOUSE

1000/168-BMC

1000GE

1160-TUNGSRAM

168-1000-BMC

168-BMC

168-BTH

168-LUCAS

168-MAZDA

168-OSRAM

168/1000-BMC

3316

3316-FOCUS

5216

5216-STANLEY

66-LUCAS

6612

6612-P

6612-PHILIPS


6612P

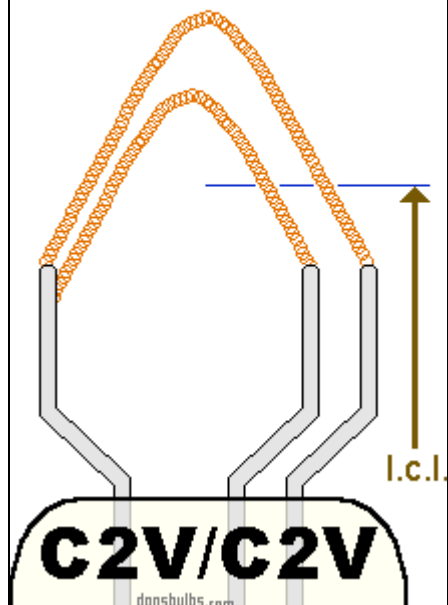
68-LUCAS

70-LUCAS

71-LUCAS

7548

filament
close-up view:

C = coiled



typical shape of C2V/C2V filament (not to scale)

7548-O
7548-OS
7548-OSRAM
AB4101
AGI-4411
AH-4411
AH-4411-AIDLITE
AH4411
AH4411-AIDLITE
AH5401
CM1000
FOCUS-3316
O-7548
OS-7548
OS7548
P-6612
P6612
STANLEY-5216

1000-USA

have been found in equipment:

MLA

1000 Medical

BA15d

double contact bayonet

DC bayonet

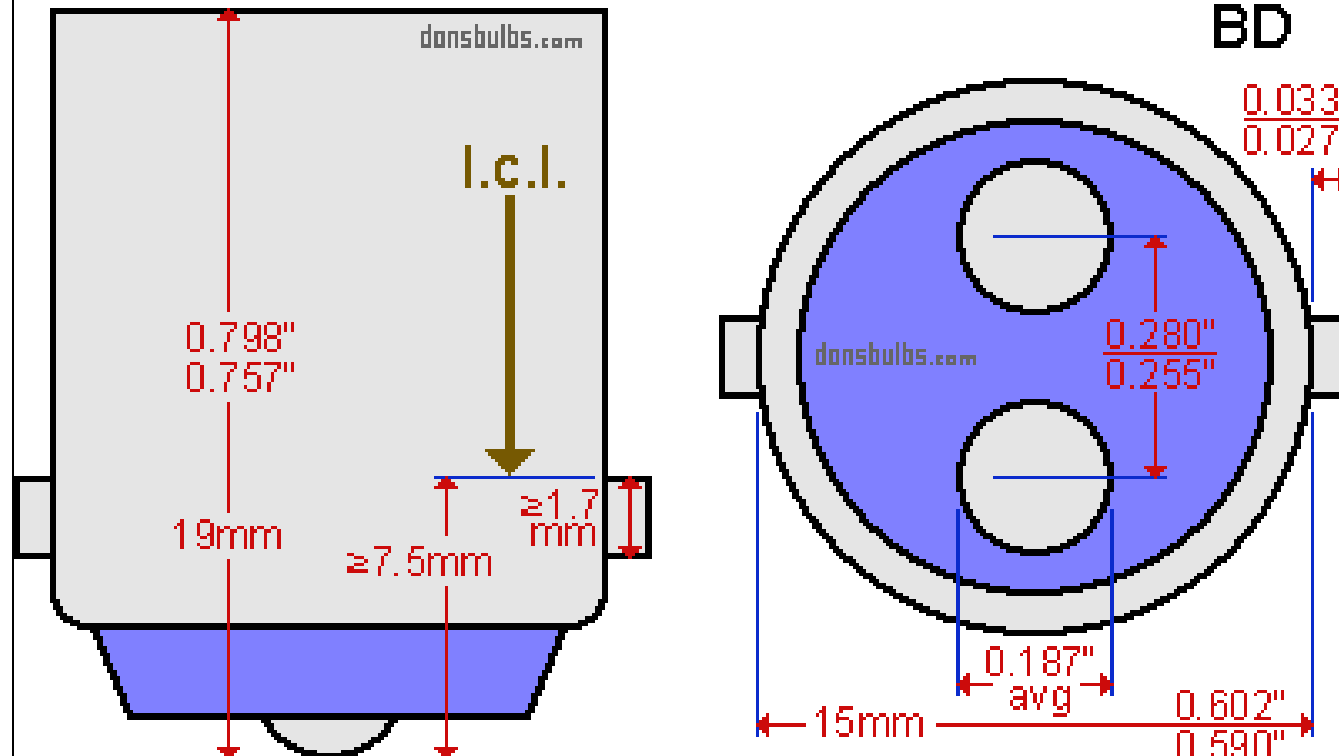
double contact candelabra bayonet

SBC (British small bayonet cap)

IEC7004-11
DIN49721

IEC7005-13
DIN49642T6

A19A
A19B
A19C
A19D
B15d
SBC
DC
BD



industry standards for base:

BA15d - Double Contact Candelabra Bayonet (or D.C.Bayonet)

(not to scale)