

# 1022 USA

I/6.2V/27.2W/16.4W/P15D30S/RP11/CL/200H/2000H

bulb specifications:

---

category:Incandescent - Miniature Lamp

volt:6.2

amp:4.39 / 2.65

watt:27.2 / 16.4

base: P15d30S

glass:RP11

filament:C2V/C6

fil.res.:1.41 ohm

m.o.l.:2.25 inch (57.1MM)

l.c.l.:1.13 inch (28.7MM)

d.hours:200 / 2000

notes:

FOR 12 VOLT USE: 1026 USA

automobile lamp

clear glass

headlight lamp

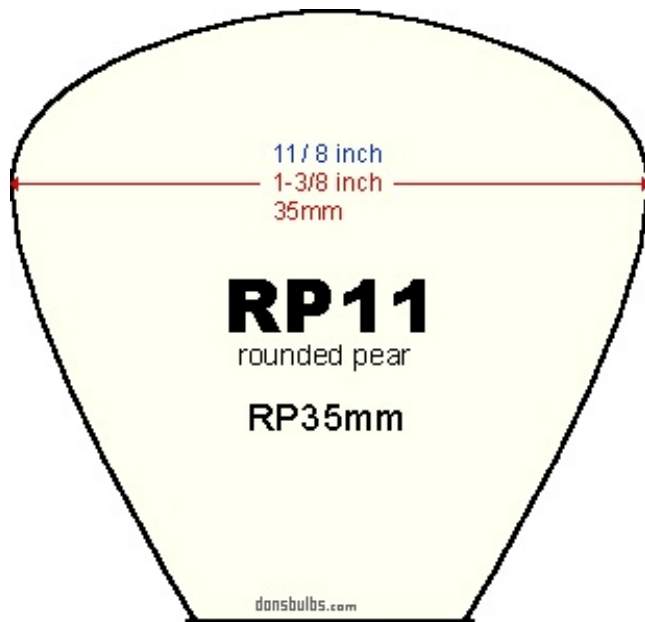
slotted

specs verified against ANSI-SR25D1997

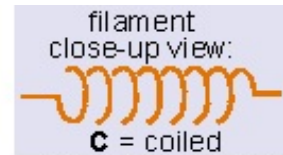


typical photo of 1022 USA

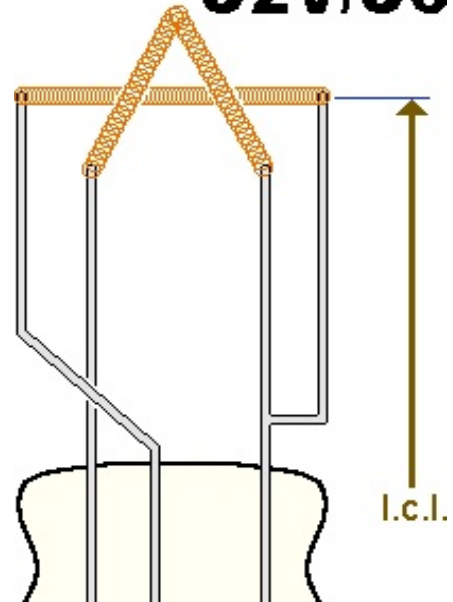
I/6.2V/27.2W/16.4W/P15D30S/RP11/CL/200H/2000H  
bulb type (your bulb may look slightly different)



typical shape of RP11 glass envelopes  
(not to scale)



**C2V/C6**

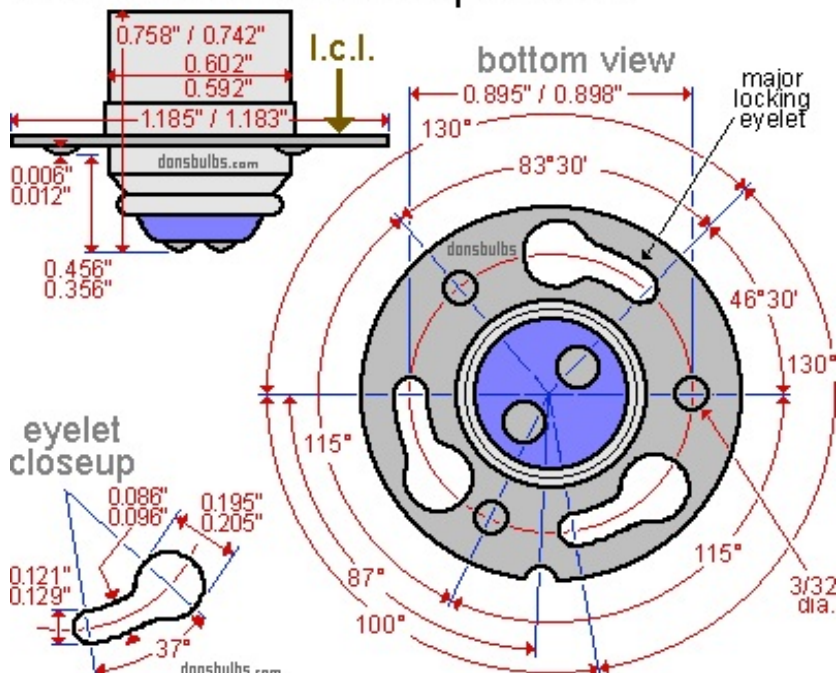


typical shape of C2V/C6 filament  
(not to scale)

**P15d30S**  
double contact prefocus S  
DC prefocus S  
double contact candelabra prefocus S

A26S  
DCPS

P15dS  
P30dS  
P30d-10.3



industry standards for base:  
P15d30S

(not to scale)