

1110 is known as:1110-USA \$40

1110-USA bulb specifications:

category: **Specialty**
volt: **6 – 8**
base: **BA15d** - Double Contact Candelabra Bayonet (or D.C.Bayonet)
glass: **RP11**
filament: **C2V/C2V**
lumens: **12.6**
cp: **1**
uses socket: [DB-BA15D1](#)
notes: antique **Automotive Lamp** Headlight

1110-USA

also known as **Cross-Reference:**

1110-USA

1110

1110-GE

1110-MAZDA

1110-TUNG-SOL

have been found in equipment: **Eastman**

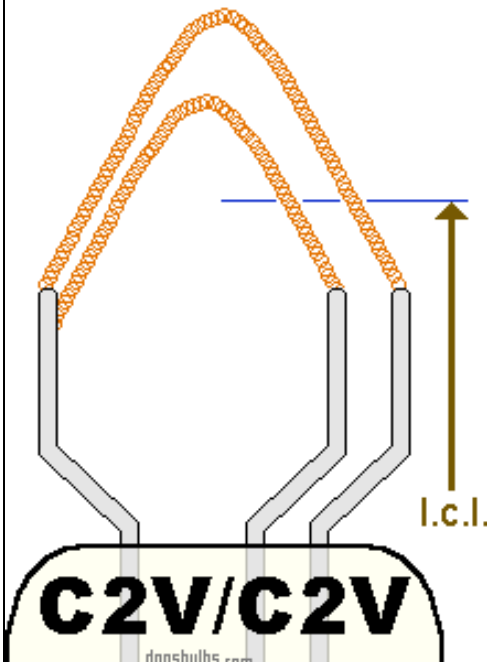
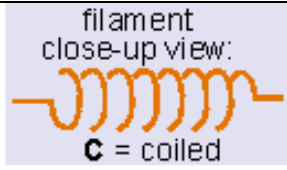
Kodak Company

KODATOY-EASTMAN 16mm Projector Movie

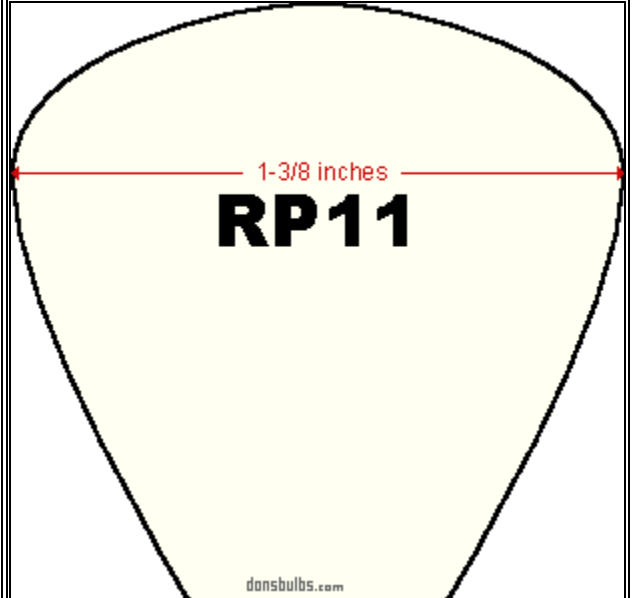
KODATOY-UNIVERSAL 16mm Projector Movie

UNIVERSAL-KODATOY-

EASTMAN 16mm Projector Movie



typical shape of **C2V/C2V** filament (not to scale)



Usual shape of **RP11** glass envelopes (not to scale)

BA15d

double contact bayonet

DC bayonet

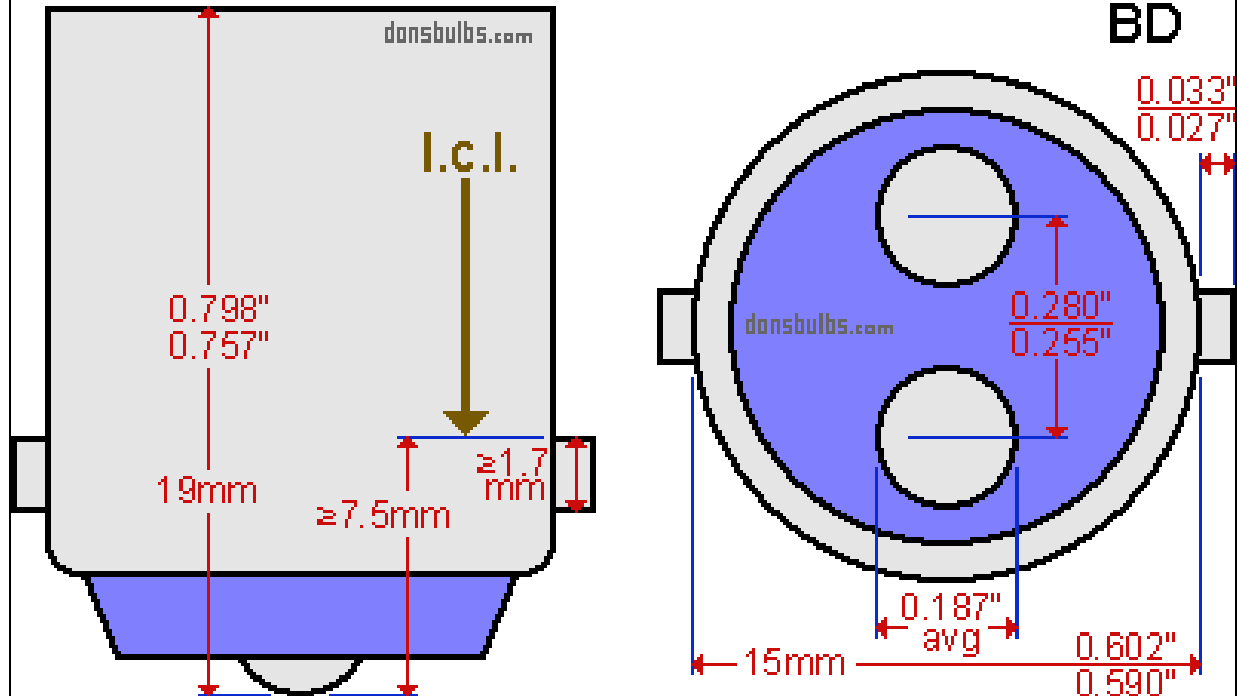
double contact candelabra bayonet

SBC (British small bayonet cap)

IEC7004-11
DIN49721

IEC7005-13
DIN49642T6

A19A
A19B
A19C
A19D
B15d
SBC
DC
BD



BA15d - Double Contact Candelabra Bayonet (or D.C.Bayonet) (not to scale)