

specialty light bulb lamp

**1116 GENERAL-ELECTRIC**

is known as:

**1116 6V 32CP 21CP USA**

( 1116/6V/32CP/21CP USA )

category: **Specialty**

volt: **6**

amp: **5.33 / 3.5**

watt: **32 / 21**

base: **BA15d** - Double Contact Candelabra Bayonet (or D.C.Bayonet)

glass: **RP11**

filament: **C2V/C2V**

fil.res.: **1.13 ohm**

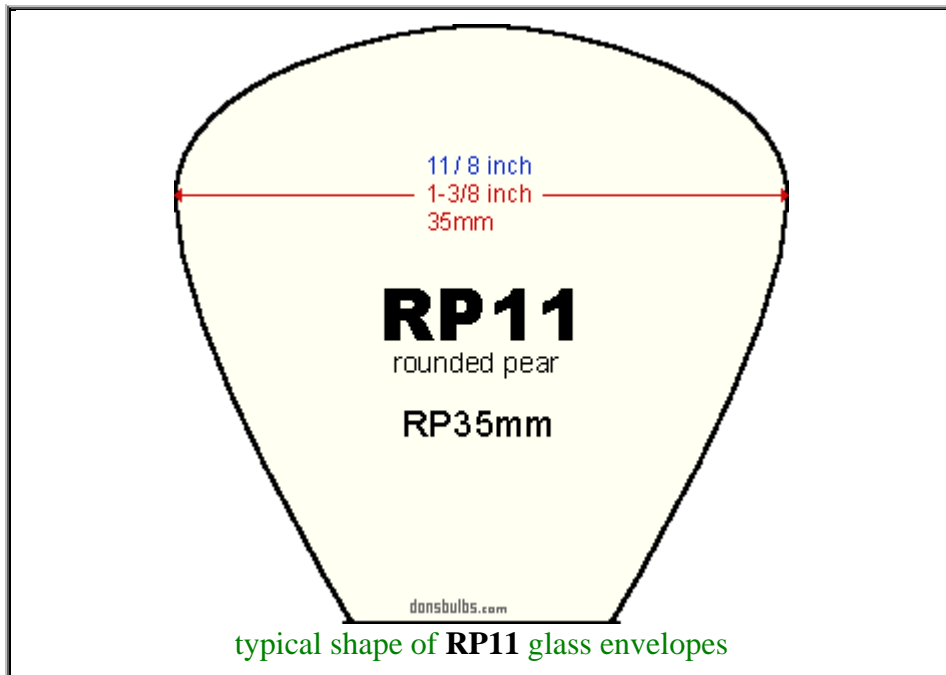
d.hours: **125**


notes:

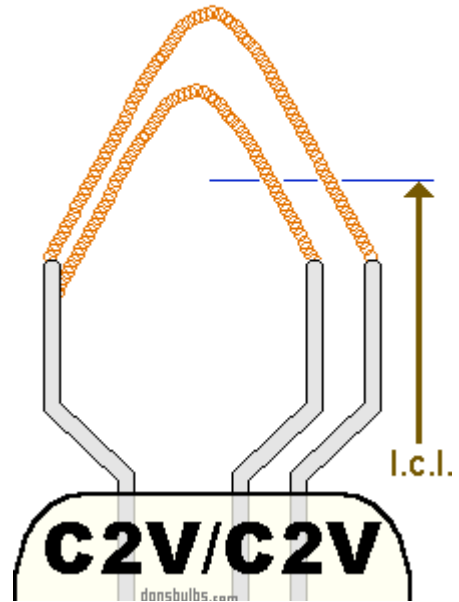
32/21CP

automobile lamp

headlight lamp



filament  
close-up view:  
  
C = coiled



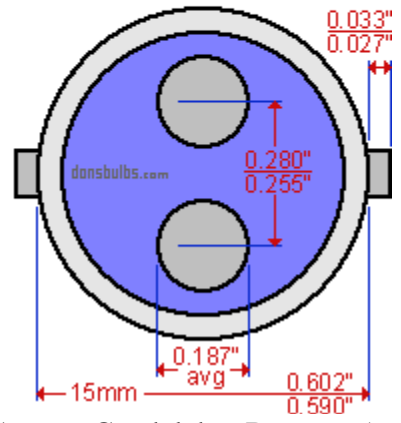
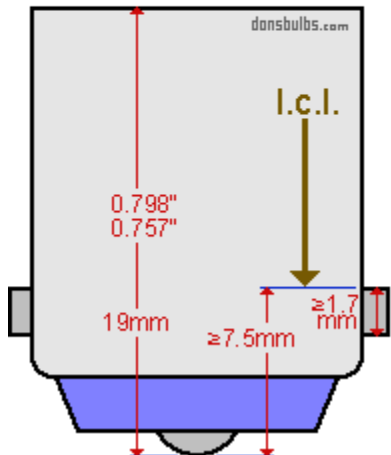
typical shape of C2V/C2V filament

# BA15d

double contact bayonet  
DC bayonet  
double contact candelabra bayonet  
SBC (British small bayonet cap)

IEC7004-11  
DIN49721  
IEC7005-13  
DIN49642T6

A19A  
A19B  
A19C  
A19D  
B15d  
SBC  
DC  
BD



industry standards for base: BA15d - Double Contact Candelabra Bayonet (or D.C.Bayonet)