

1124 is known as: 1124-USA

1124-USA bulb specifications:

category: **Miniature**

volt: **12.5 / 12.5**

amp: **1.92 / 2**

watt: **24 / 25**

base: **BA15d** - Double Contact Candelabra Bayonet (or D.C.Bayonet)

glass: **RP11**

filament: **2C2R**

fil.res.: **6.51 / 6.25** ohm

i.lumens: **402 / 402**

cp: **32 / 32**

d.hours: **300**

notes:

Automotive Lamp

Headlamp

uses socket: [DB-BA15D1](#)

1124-USA

also known as

Cross-Reference:

1124-USA

1124

1124-BMC

1124-GE

1124-LECTRA

1124-LUGON

1124-MAZDA

1173-TUNGSRAM

12612

12612-P

12612-PHILIPS

12612P

3356

3356-FOCUS

AB4104

AGI-4414

AH-4413

AH-4413-AIDLITE

AH4413

AH4413-AIDLITE

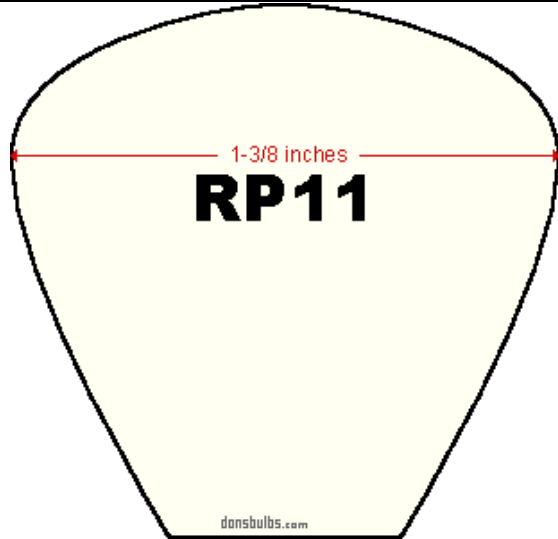
AH5403

CM1124

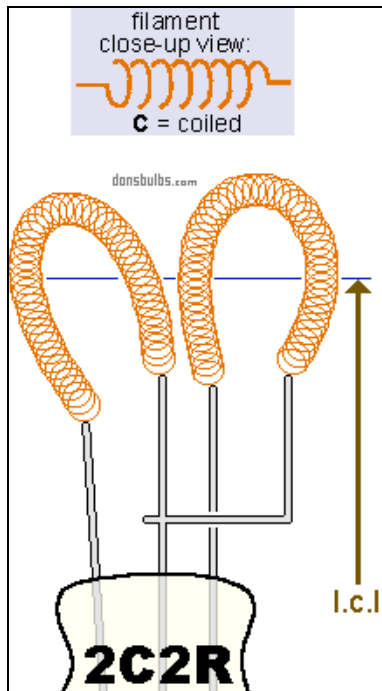
FOCUS-3356

P-12612

P12612



usual shape of RP11 glass envelopes (not to scale)



typical shape of 2C2R filament (not to scale)

BA15d

double contact bayonet

DC bayonet

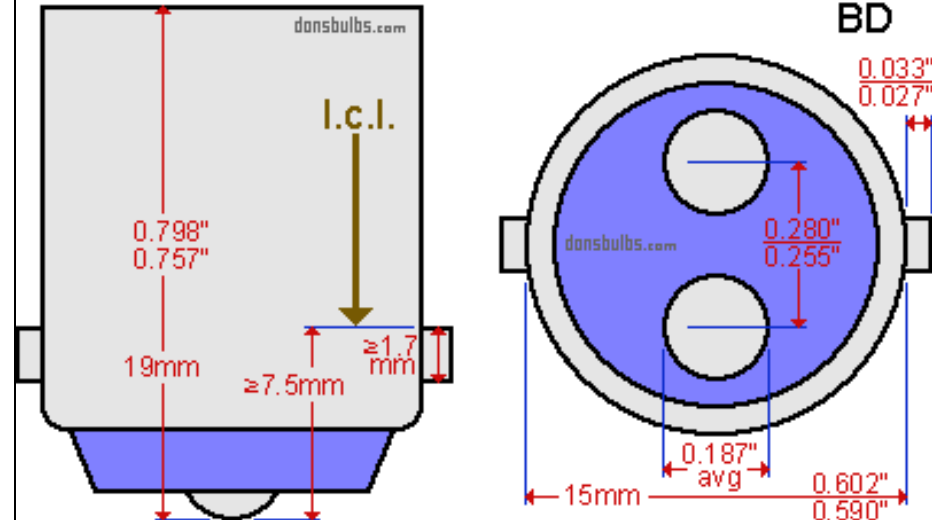
double contact candelabra bayonet

SBC (British small bayonet cap)

IEC7004-11
DIN49721

IEC7005-13
DIN49642T6

A19A
A19B
A19C
A19D
B15d
SBC
DC
BD



industry standards for base:

BA15d - Double Contact Candelabra Bayonet (or D.C.Bayonet)
(not to scale)