

1144 is known as: 1144-USA

1144-USA bulb specifications:

category: **Miniature**

volt: **12.5**

amp: **1.98**

watt: **24.8**

base: **BA15d** - Double Contact Candelabra Bayonet (or D.C.Bayonet)

glass: **RP11**

filament: **C2R**

fil.res.: **6.31** ohm

m.o.l.: **2.25** inches

l.c.l.: **1.25** inches

i.lumens: **402**

cp: **32**

d.hours:

400

notes:

Automotive Lamp

Headlamp

spot lamp

uses socket: [DB-BA15D1](#)

1144-USA

also known as

Cross-Reference:

1144-USA

1106-TUNGSRAM

1144

1144-BMC

1144-GE

1144-LECTRA

1144-LUGON

1144-MAZDA

12212

12212-P

12212-PHILIPS

12212P

3162

3162-FOCUS

365-TRIFA

5024 [alternate 2]

5024-STANLEY

A5024

AB4003

AGI-4319

AH-4316

AH-4316-AIDLITE

AH4316

AH4316-AIDLITE

AH5306

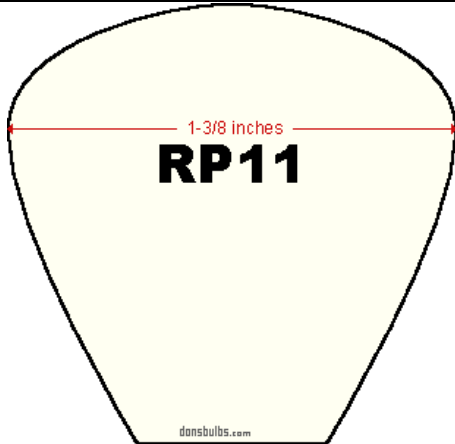
CM1144

FOCUS-3162

P-12212

P12212

STANLEY-5024




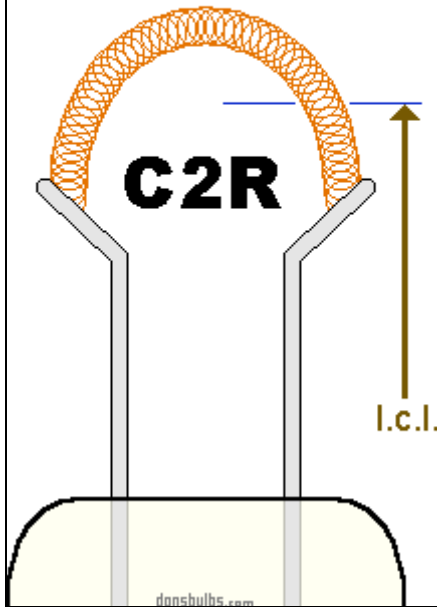
usual shape of RP11 glass envelopes (not to scale)

1144-USA

have been found in equipment:
Eastman Kodak Company
 6 RECORDAK-READER Reader Microfilm
 VI RECORDAK-READER Microfilm
White

- 1951-12-VOLT DIRECTION-LAMP Automobile / Truck
- 1952-12-VOLT DIRECTION-LAMP Automobile / Truck
- 1953-12-VOLT DIRECTION-LAMP Automobile / Truck
- 1954-12-VOLT DIRECTION-LAMP Automobile / Truck
- 1955-12-VOLT DIRECTION-LAMP Automobile / Truck
- 1956-12-VOLT DIRECTION-LAMP Automobile / Truck
- 1957-12-VOLT DIRECTION-LAMP Automobile / Truck

filament
close-up view:

 C = coiled



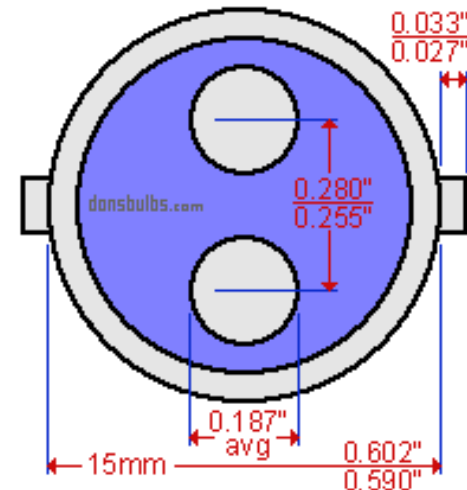
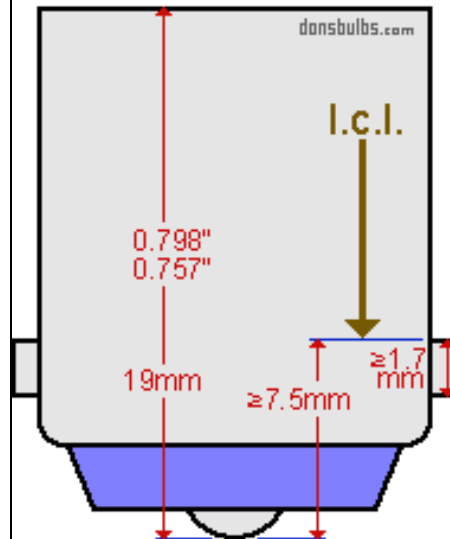
typical shape of C2R filament (not to scale)

BA15d

double contact bayonet
 DC bayonet
 double contact candelabra bayonet
 SBC (British small bayonet cap)

IEC7004-11
 DIN49721
 IEC7005-13
 DIN49642T8

A19A
 A19B
 A19C
 A19D
 B15d
 SBC
 DC
 BD



industry standards for base: BA15d - Double Contact Candelabra Bayonet (or D.C.Bayonet) (not to scale)