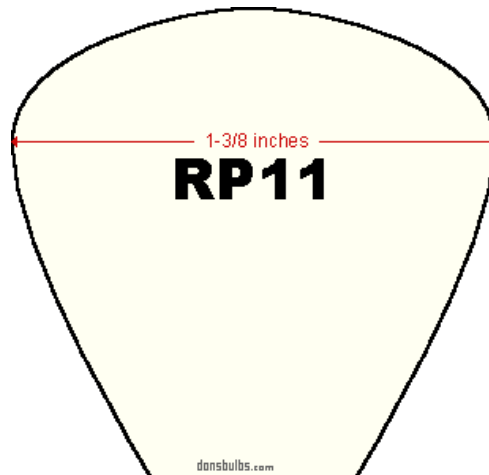


1183 is known as: 1183-USA

1183-USA bulb specifications:

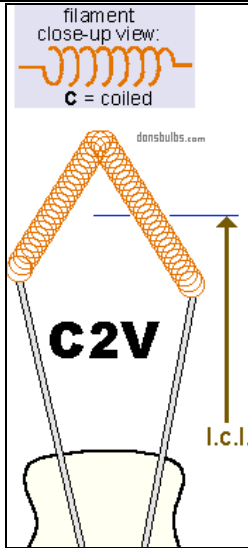
category: **Miniature**
voltage: **5.5**
amp: **6.25**
watt: **34.4**
base: **BA15s** - Single Contact Candelabra Bayonet (or S.C.Bayonet)
glass: **RP11**
filament: **C2V**
fil.res.: **.88** ohm
m.o.l.: **2.25** inches
l.c.l.: **1.25** inches
i.lumens: **629**
cp: **50**
d.hours: **100**
notes:
Automotive Lamp
Headlight
spot lamp
uses socket: [DB-BA15S1](#)



usual shape of **RP11** glass envelopes (not to scale)

1183-USA also known as Cross-Reference:

1183-USA
032-51C-OSRAM
03251C-OSRAM
0420-TRIFA
1069-TUNGSRAM
108-BTH
108-LUCAS
108-MAZDA
108-OSRAM
1183
1183-BMC
1183-GE
1183-LECTRA
1183-LUGON
1183-MAZDA
3127 [alternate 2]
3127-FOCUS
5.5-034-04
5015
5015-STANLEY
608-BTH
608-LUCAS
608-MAZDA
608-OSRAM
6221
6221-HALCO
6221-P
6221-PHILIPS
6221P
73-LUCAS
75-BTH
75-LUCAS
75-MAZDA
75-OSRAM
7563
7563-O
7563-OS
7563-OSRAM
7564-OSRAM
A19FR60/1
A19FR60/1-HALCO



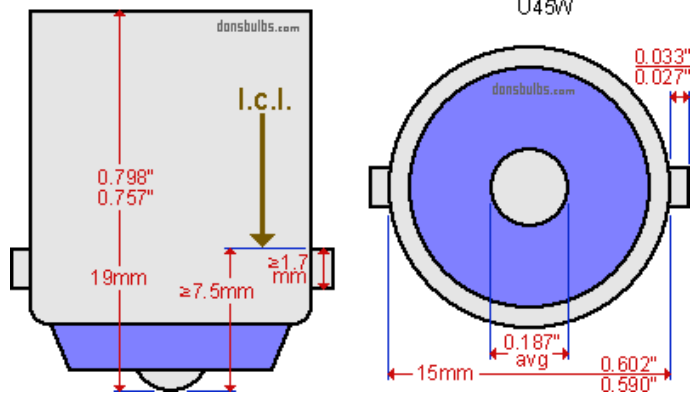
typical shape of C2V filament (not to scale)

A5015
 AGI-4312
 AH-4313
 AH-4313-AIDLITE
 AH4313
 AH4313-AIDLITE
 AH5303
 CM1183
 FOCUS-3127
 O-7563
 O-7564
 O7564
 OS7563
 P-6221
 P6221
 STANLEY-5015
 W1183

BA15s B15s IEC7004-11A9
 single contact bayonet DIN49720
 SC bayonet IEC7005-13
 single contact candelabra bayonet DIN49642T6
 SCC (British single centre contact)

EM
 F15W
 PG
 P21W
 RR
 R5W
 R10W
 R18W
 R21W
 U
 U45W

A18B
 A18C
 A18F
 A18G
 SCC
 SC



industry standards for base:

BA15s - Single Contact Candelabra Bayonet (or S.C.Bayonet) (not to scale)

1183-USA

have been found in equipment:
Grant Photo Products Incorporated
 MINIATURE Enlarger / Photo Printer

Projectograph Corporation

A Projector Slide / Filmstrip
 B Projector Slide / Filmstrip
 C Projector Slide / Filmstrip

Sun Ray Photo Company Incorporated
 GRANT-MINIATURE Enlarger / Photo Printer