

1184 is known as: 1184-USA

1184-USA bulb specifications:

category: **Miniature**

volt: **5.5**

amp: **6.25**

watt: **34.4**

base: **BA15d** - Double Contact Candelabra Bayonet (or D.C.Bayonet)

glass: **RP11**

filament: **C2V**

fil.res.: **.88** ohm

m.o.l.: **2.25** inches

l.c.l.: **1.25** inches

i.lumens: **629**

cp: **50**

d.hours: **100**

notes:

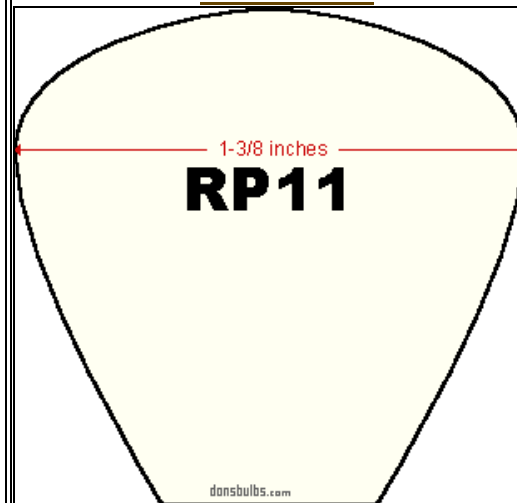
antique

Automotive Lamp

Headlight

spot lamp

uses socket: **DB-BA15D1**



usual shape of **RP11** glass envelopes (not to scale)

1184-USA also known as Cross-Reference:

1184-USA

1068-TUNGSRAM

1184

1184-BMC

1184-CM

1184-LECTRA

1184-LUGON

1184-MAZDA

1184-WESTINGHOUSE

3128

3128-FOCUS

5016

5016-STANLEY

6222

6222-HALCO

6222-P

6222-PHILIPS

6222P

7463

7463-O

7463-OS

7463-OSRAM

A19FR75/1

A19FR75/1-HALCO

A5016

AGI-4318

AH-4314

AH-4314-AIDLITE

AH4314

AH4314-AIDLITE

AH5304

CM1184

FOCUS-3128


O-7463

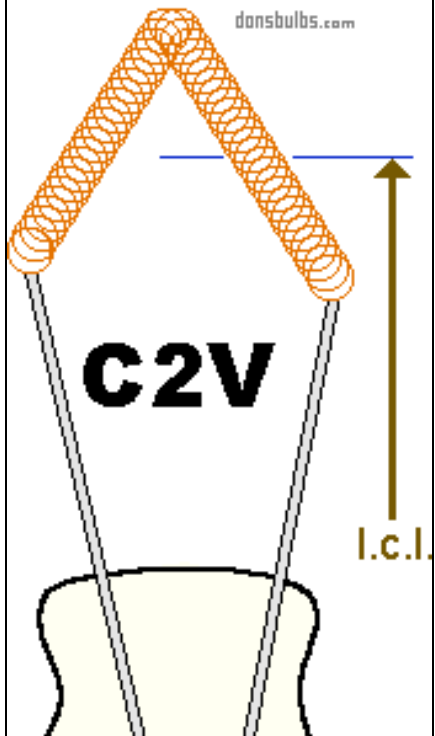
OS7463

P-6222

P6222

STANLEY-5016

filament
close-up view:

C = coiled



typical shape of C2V filament (not to scale)

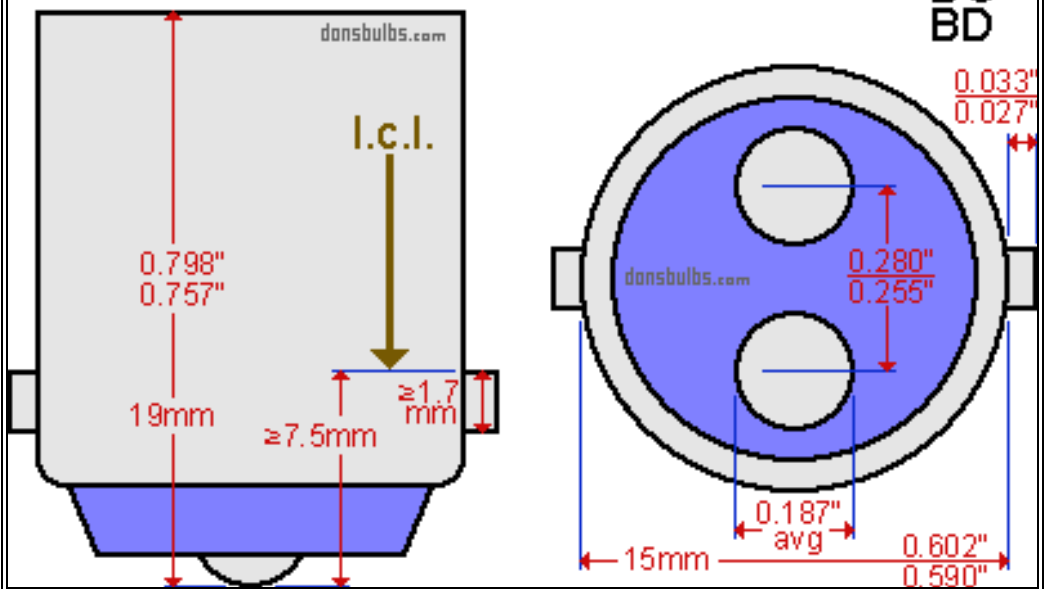
BA15d

double contact bayonet
DC bayonet
double contact candelabra bayonet
SBC (British small bayonet cap)

IEC7004-11
DIN49721

IEC7005-13
DIN49642T6

- A19A
- A19B
- A19C
- A19D
- B15d
- SBC
- DC
- BD



industry standards for base:

BA15d - Double Contact Candelabra Bayonet (or D.C.Bayonet)
(not to scale)