

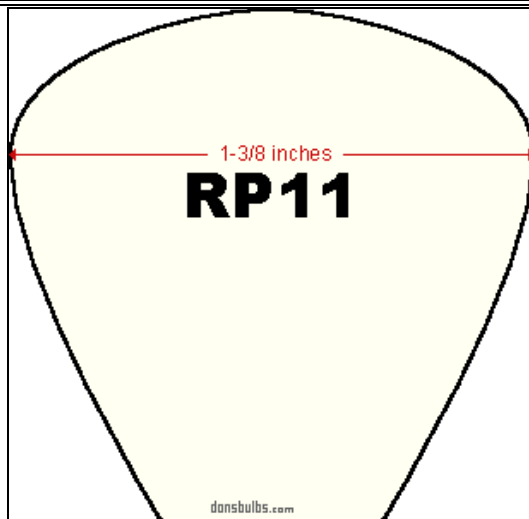
# 1323 is known as: 1323-USA

## 1323-USA bulb specifications:

category: **Miniature**  
volt: **6.2**  
amp: **4.13**  
watt: **25.6**  
base: **P15s30** - Single Contact Prefocus Flanged  
also known as Single Contact Prefocus Bayonet  
also known as **P15s** (Europe)  
also known as **P30s** (USA)  
glass: **RP11**  
filament: **C2V**  
fil.res.: **1.5 ohm**  
m.o.l.: **2.25 inches**  
l.c.l.: **.875 inches**  
i.lumens: **32**  
cp: **32**  
d.hours: **200**  
notes:  
antique  
**Automotive Lamp**  
Headlight  
uses socket: [DB-P15S30-1](#)

## 1323-USA also known as Cross-Reference:

1323-USA  
1323  
1323-EVEREADY  
1323-GE  
1323-MAZDA  
6.2-25.6-64  
628500A-MICROLAMP  
AGI-4511  
MB-13230  
MB13230




usual shape of **RP11** glass envelopes (not to scale)

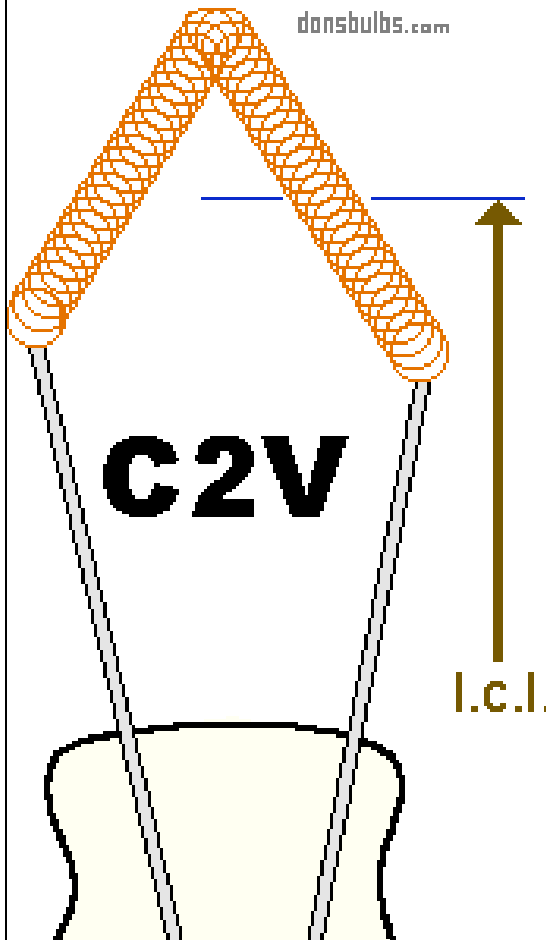
## 1323-USA

have been found in equipment:

### Eastman Kodak Company

P-20-20 RECORDAK Microfilm  
P-20/20 RECORDAK Reader Microfilm  
P-20 RECORDAK Reader Microfilm  
P20-20 RECORDAK Microfilm  
P20/20 RECORDAK Reader Microfilm  
P20 RECORDAK Reader Microfilm

filament  
close-up view:  
  
**C** = coiled

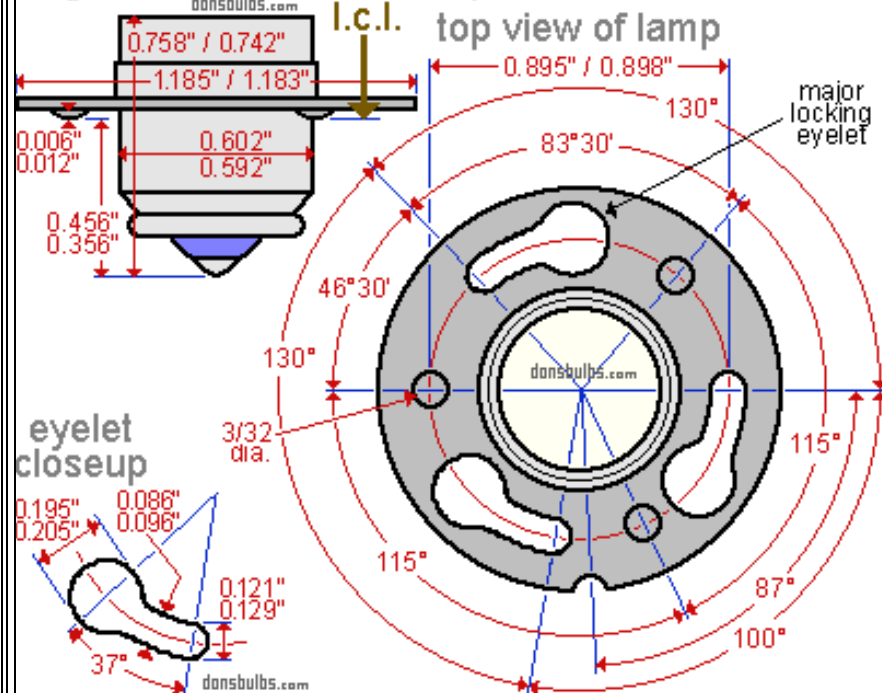


typical shape of **C2V** filament (not to scale)

**P15s30**  
single contact prefocus  
SC prefocus  
single contact candelabra prefocus

A25  
SCP

P15s  
P30s  
P30s-10.3  
P30sb



industry standards for base:  
**P15s30** - Single Contact Prefocus Flanged  
also known as Single Contact Prefocus Bayonet  
also known as **P15s** (Europe)  
also known as **P30s** (USA)  
(not to scale)