

2320

2320-USA bulb specifications:

category: **Specialty**

volt: **6.2 / 6.4**

amp: **4.52 / 3.3**

watt: **28 / 21.1**

base: **P15d30** - Double Contact Prefocus Flanged also known as Double Contact Prefocus Bayonet

also known as **P15d** (Europe)

also known as **P30d** (USA)

glass: **RP11**

filament: **C2/C2**

fil.res.: **1.37 / 1.94** ohm

m.o.l.: **2.25** inches

l.c.l.: **1.13** inches

i.lumens: **19.1**

cp: **1.5**

notes:

Automotive Lamp

Headlight uses socket: **DB-P15D30-1**

2320-USA

also known as **Cross-Reference:**

2320-USA

2320

2320-GE

2320-MAZDA

2320-TUNGSO

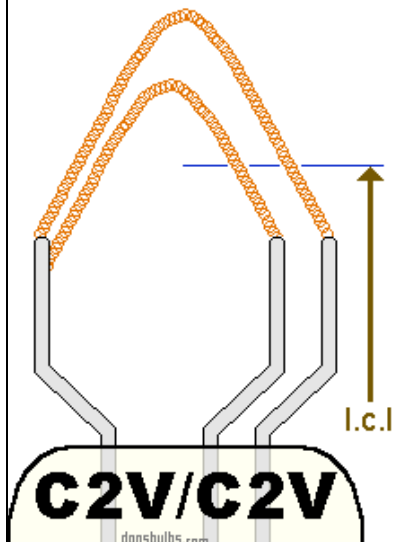
2320GE

GE2320

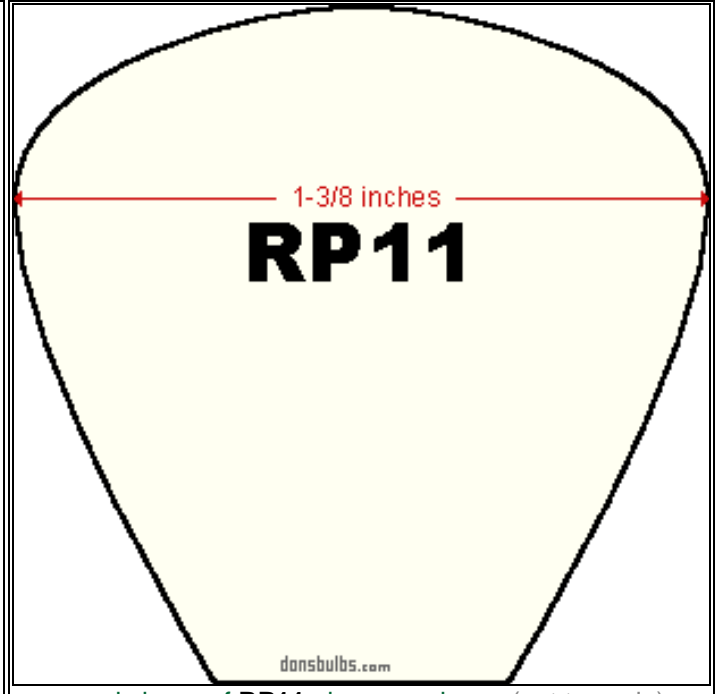
T2320

T2320-TUNGSO

filament
close-up view:
C = coiled



typical shape of **C2V/C2V** filament (not to scale)



usual shape of **RP11** glass envelopes (not to scale)

P15d30

double contact prefocus

DC prefocus

double contact candelabra prefocus

A26

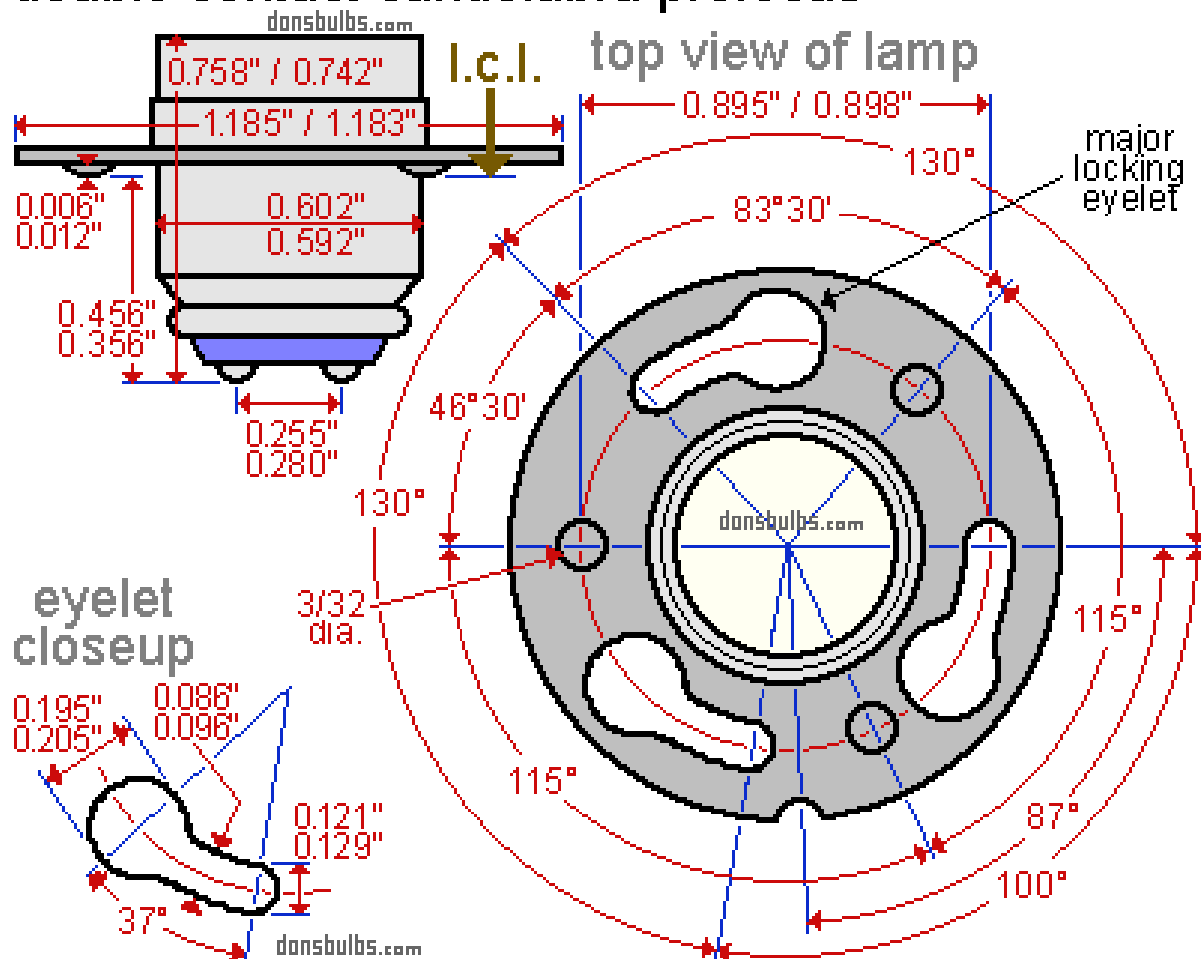
DCP

P15d

P30d

P30d-10.3

P30da



industry standards for base: **P15d30** - Double Contact Prefocus Flanged also known as Double Contact Prefocus Bayonet also known as **P15d** (Europe) also known as **P30d** (USA) (not to scale)