

2530 USA

I/5.9V/28.5W/26.2W/P15D30A/RP11/CL/200H/200H

bulb specifications:

category: Incandescent - Miniature Lamp

volt: 5.9

amp: 4.83 / 4.44

watt: 28.5 / 26.2

base: P15d30A

glass: RP11

filament: C2V/C2V

fil.res.: 1.22 ohm

m.o.l.: 2.25 inch (57.1MM)

l.c.l.: 1.13 inch (28.7MM)

d.hours: 200 / 200

notes:

automobile lamp

clear glass

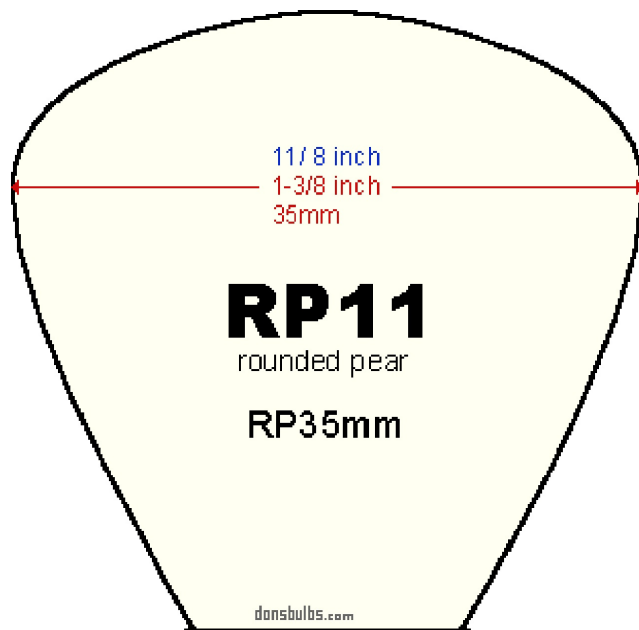
headlight lamp

specs verified against ANSI-SR25D1997

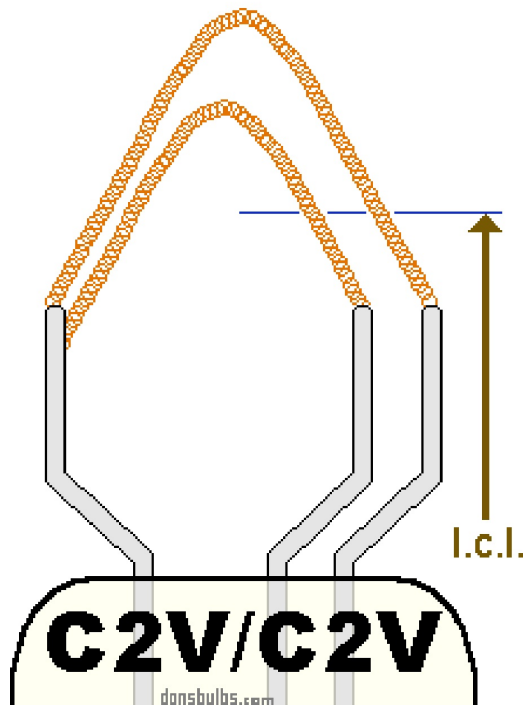
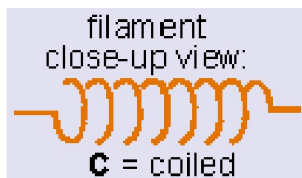
uses socket: DB-P15D30-1



[typical photo of 2530 USA I/5.9V/28.5W/26.2W/P15D30A/RP11/CL/200H/200H bulb type](#)
(your bulb may look slightly different)



[typical shape of RP11 glass envelopes \(not to scale\)](#)

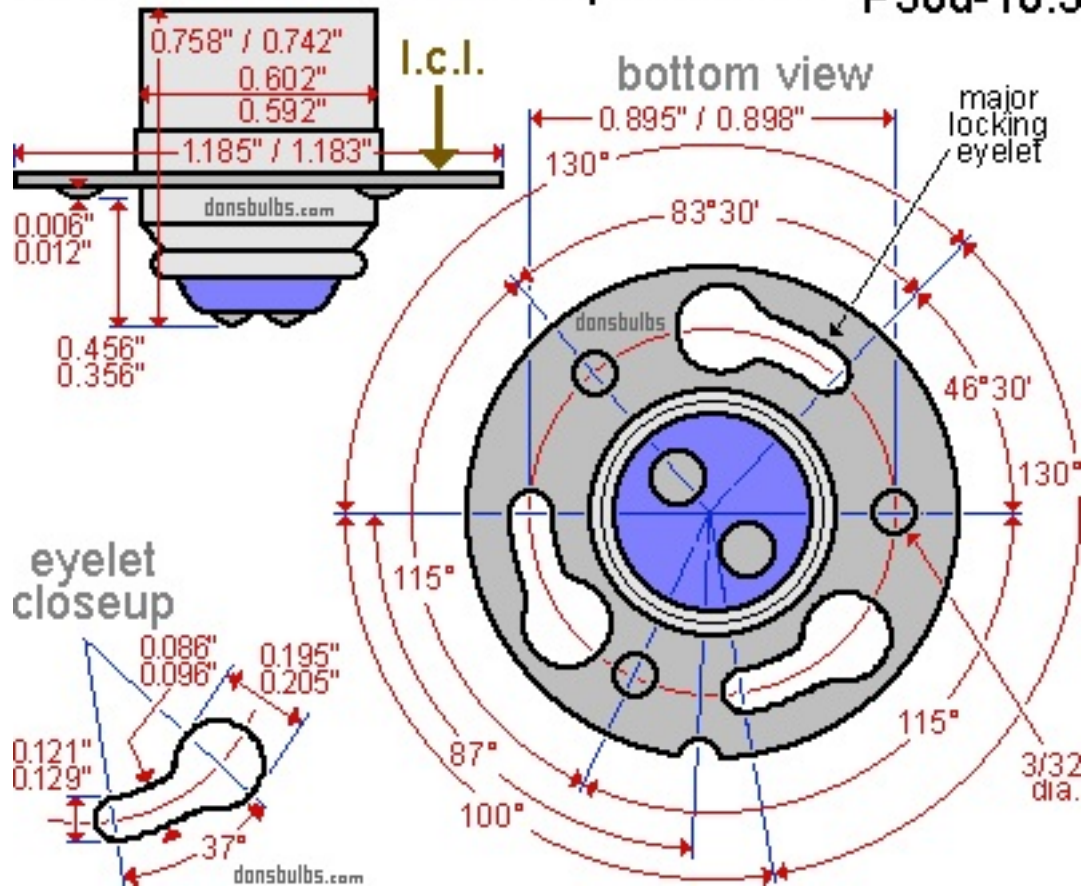


[typical shape of C2V/C2V filament \(not to scale\)](#)

P15d30A
 double contact prefocus A
 DC prefocus A
 double contact candelabra prefocus A

A26A
 DCPA

P15d
 P30d
 P15dA
 P30dA
 P30d-10.3



[industry standards for base: P15d30A \(not to scale\)](#)