

3625 STANLEY

I/6V/25W/25W/PX15D/T6/CL

bulb specifications:

category: Incandescent - motorcycle lamp

volt: 6
 amp: 4.17 / 4.17
 watt: 25 / 25
 base: PX15d
 glass: T6
 filament: C6/C6
 fil.res.: 1.44 ohm
 m.o.l.: 1.77 inch (45MM)
 l.c.l.: 0.831 inch (21.1MM)

i.lumens: 650

cp: 52

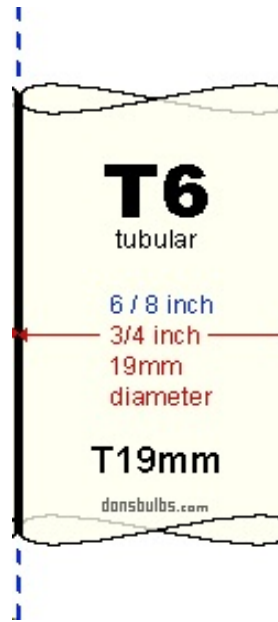
cri: 99

d.hours: 300 / 300

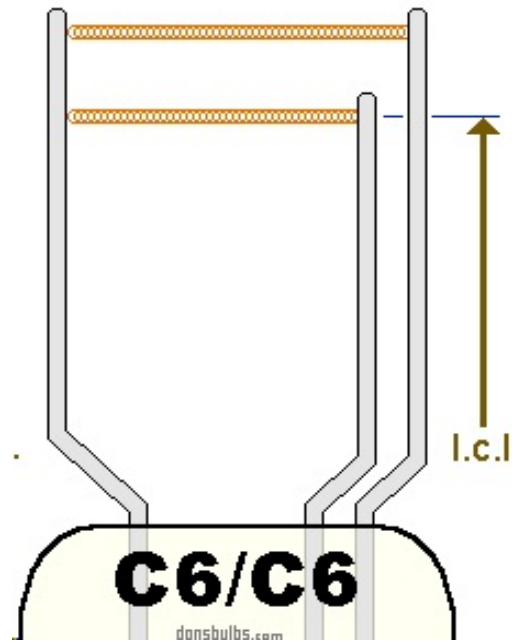
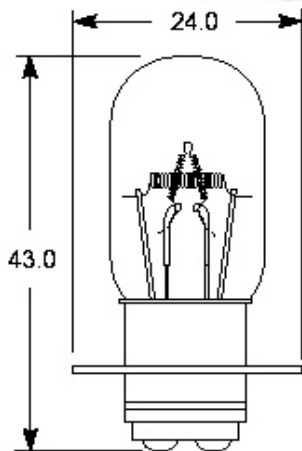
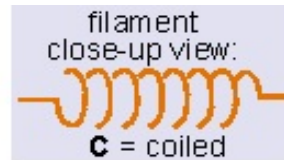
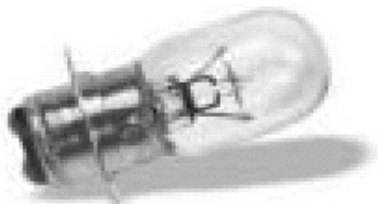
notes: clear glass

dim: 47MMx19MM

motorcycle lamp



typical shape of T6 glass envelopes (not to scale)

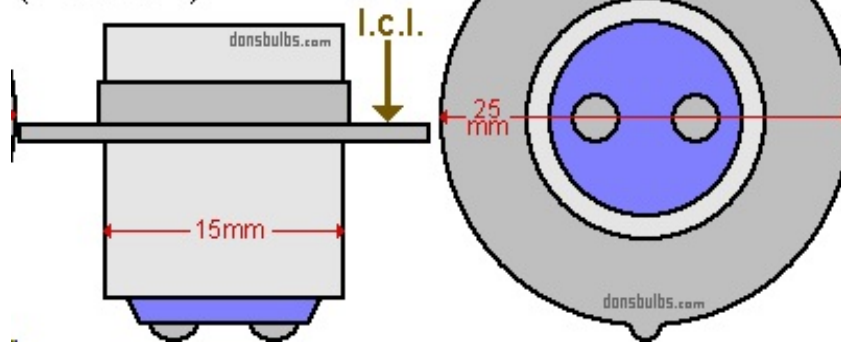


typical shape of C6/C6 filament (not to scale)

LLB1006	12 V	25/25 W
LLB1008	6 V	25/25 W
LLB1037	7 V	18/18 W
LLB1038	12 V	15/15 W
LLB1063	12 V	35/35 W
LLB1065	6 V	35/35 W
LLB1068	12 V	25/25 W

PX15d

(P15d25-1)



industry standards for base: PX15d (not to scale)