

4430 USA

I/12.8V/50W/40W/G16T/PAR56

bulb specifications:

category: Incandescent - Sealed Beam Lamp

volt: 12.8

amp: 3.91 / 3.13

watt: 50 / 40

base: G16t

glass: PAR56

filament: C6/C6

fil.res.: 3.27 ohm

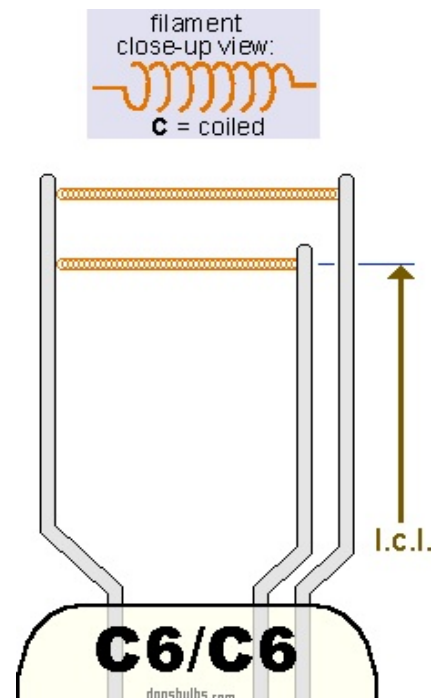
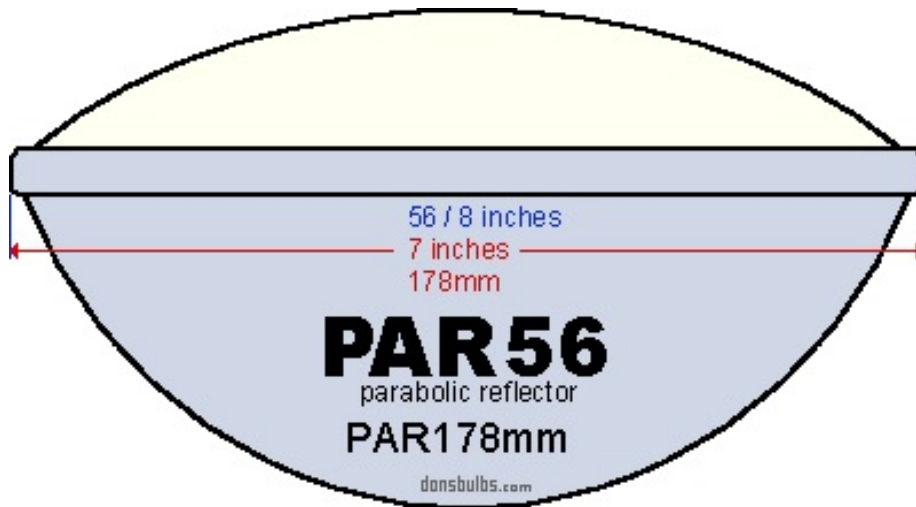
notes:

FOR 6 VOLT USE: 4030 USA

FOR NEAR SUBSTITUTION USE: 4400 USA

automobile lamp

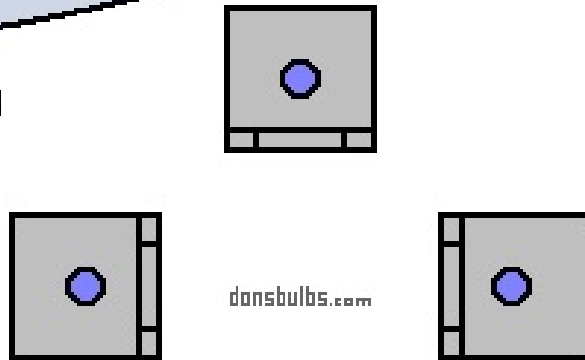
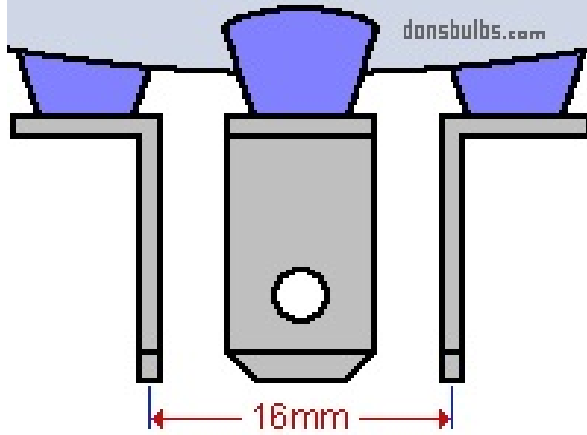
headlight lamp



G16t

A139

alternate #1
(PAR bulb type)



alternate #2
(TUBE bulb type)

