

halogen - sealed beam lamp light bulb

4656

donsbulbs part:

**H4656 USA**

H/12.8V/35W/35W/G16T/REC58/SHIELDED-FILAMENT/300H/1000H

**H4656 USA**

H/12.8V/35W/35W/G16T/REC58/SHIELDED-FILAMENT/300H/1000H

bulb specifications:

[click to re-rate specs](#) ⓘ

category: ⓘ **Halogen - sealed beam lamp**

volt: ⓘ **12.8**

amp: ⓘ **2.73 / 2.73**

watt: ⓘ **35 / 35**

base: ⓘ **G16t**

glass: ⓘ **REC58**

filament: ⓘ **C6/C6**

fil.res.: ⓘ **4.69 ohm**

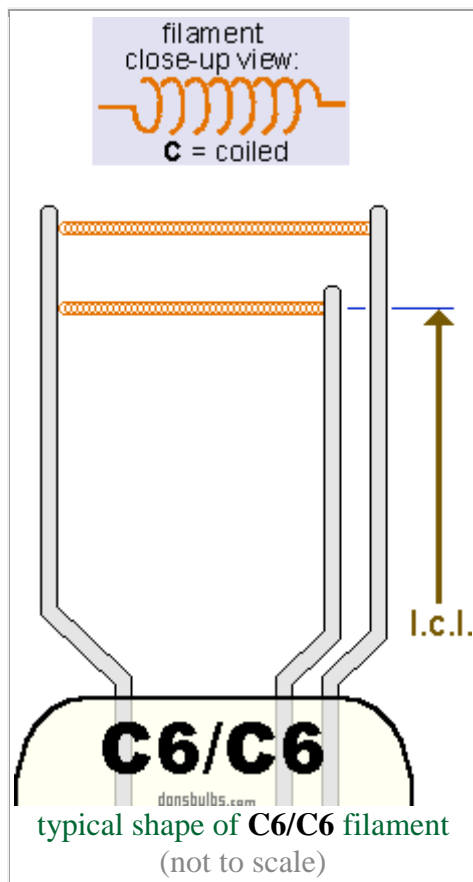
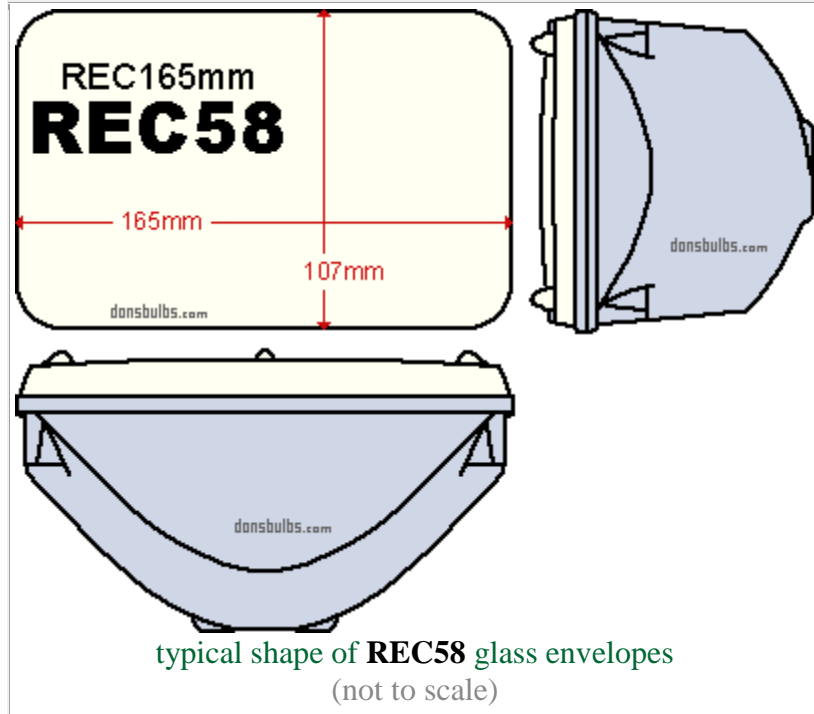
m.o.l.: ⓘ **4.76 inch (121MM)**

i.lumens: ⓘ **1070**

cp: ⓘ **85**

d.hours: ⓘ **300 / 1000**

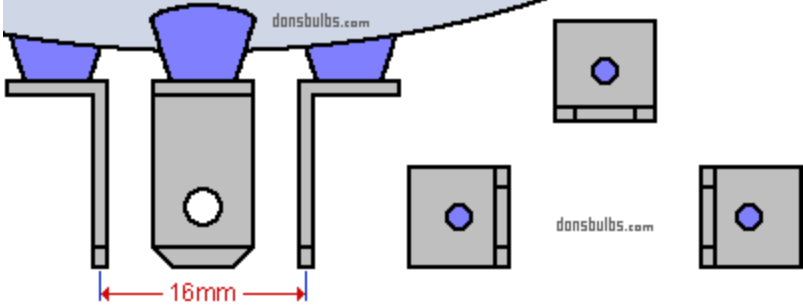
notes: ⓘ 4 lamp rectangular system  
ANSI spec sheet also refers to SAE-J1383  
automobile lamp  
halogen gas  
headlight lamp  
lens:aiming pads  
lens:fluted  
low beam lamp  
mm  
shielded filament  
shielded-filament  
specs verified against ANSI-SR26D2002



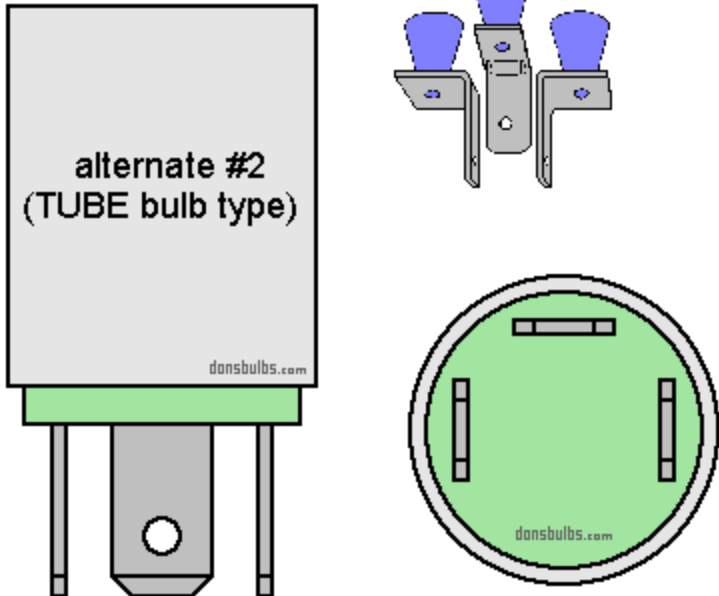
# G16t

A139

alternate #1  
(PAR bulb type)



alternate #2  
(TUBE bulb type)



industry standards for base:

G16t

(not to scale)