

# 9005 PHILIPS

is known as: **HB3/12V/60W/P20D ECE**

\$14

## **HB3/12V/60W/P20D ECE** bulb

specifications:

category: **SPECIALTY**

volt: **12**

amp: **5**

watt: **60**

base: P20d

glass: **T4**

filament: **C8**

fil.res.: **2.4** ohm

m.o.l.: **3.09** inches

l.c.l.: **1.25** inches

i.lumens: **1710**

cp: **140**

d.hours: **150**

### **notes:**

glass color is: **all weather**

automobile lamp

halogen

style:HB3

headlamp

**HIGH INTENSITY DISCHARGE**

high beam

incandescent

replaceable

right angle

## **HB3/12V/60W/P20D ECE**

also known as

### **Cross-Reference:**

031293410523 EIKO

031293410535 EIKO

031293410542 EIKO

10625

12V-60W-P20D

17923

22758-7

23341-1

48005 NARVA

48019/A

48019A

9005

9005-12V-60W-P20D

9005/BLISTER-PACK EIKO

9005/P OSRAM

9005/PR PHILIPS

9005BLISTER-PACK EIKO

9005P OSRAM

9005PR PHILIPS

9441732 GENERAL-MOTORS

AB009005 MITSUBISHI

E9SZ-13N021-B FORD

E9SZ13N021B FORD

H9005-12V-60W-P20D

HB3-12V-60W-P20D

HB3-12V/60W/P20D

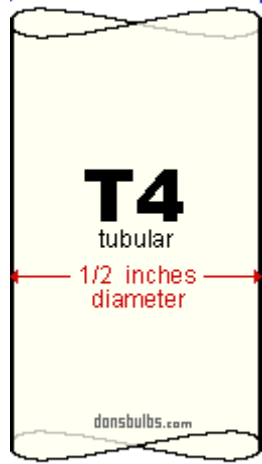
HB3-12V/60W/P20D ECE

HB3-12V/60W/P20D/RP

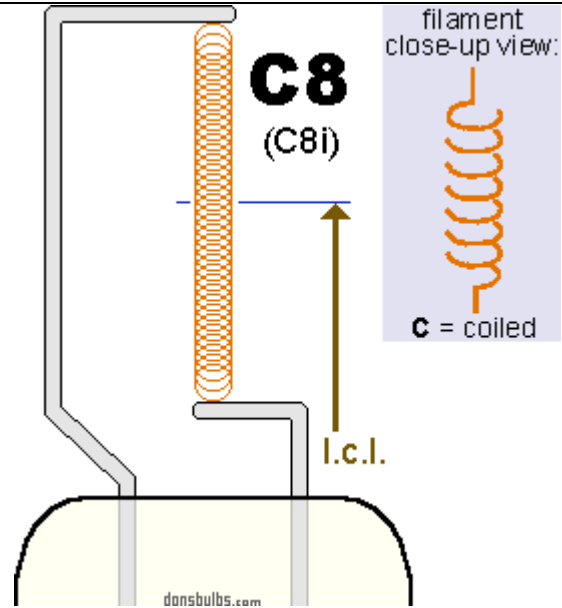
L0009005 CHRYSLER

MB/90050

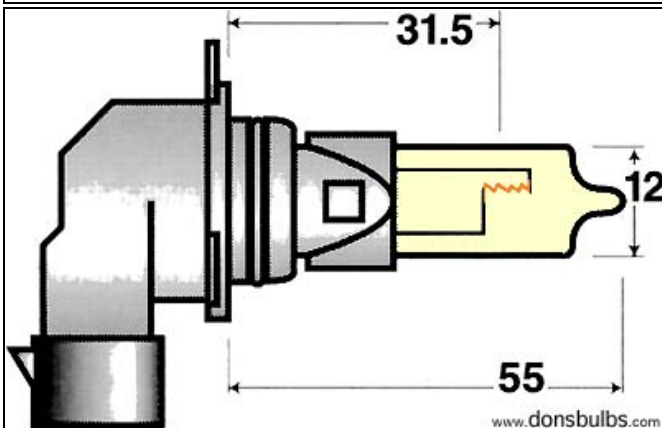
MB90050



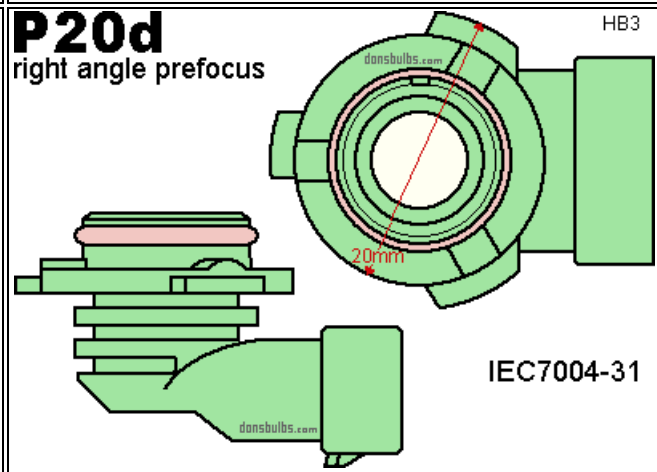
typical shape of **T4** glass envelopes (not to scale)



typical shape of **C8** filament (not to scale)



typical photo of **HB3/12V/60W/P20D** ECE bulb type (your bulb may look slightly different)



industry standards for base: **P20d** (not to scale)