

A5659K STANLEY

I/6V/35W/35W/P15D30/RP11/CL

bulb specifications:

category: Incandescent -
miniature lamp
voltage: 6
amp: 5.83 / 5.83
watt: 35 / 35
base: P15d30 - Double

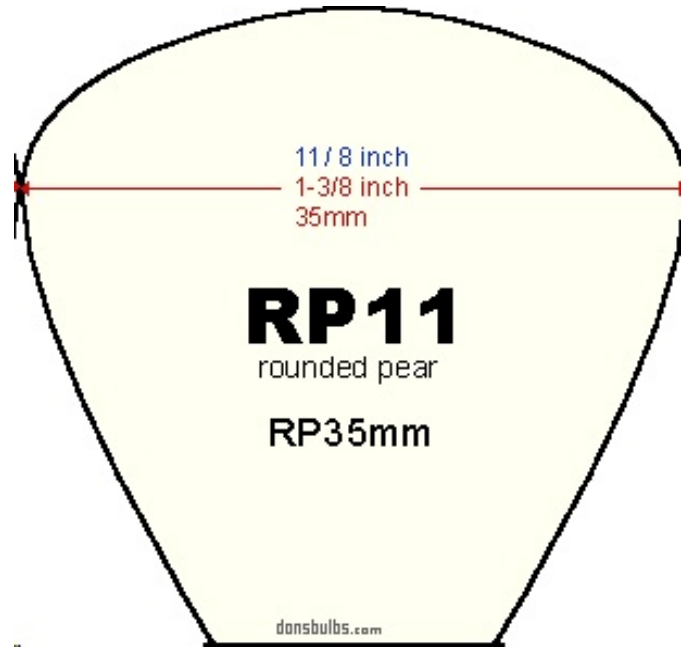
Contact Prefocus Flanged
also known as Double Contact Prefocus
Bayonet, also known as P15d (Europe),
also known as P30d (USA)

glass: RP11
filament: C2V/C2V
fil.res.: 1.03 ohm
i.lumens: 50
cp: 4
cri: 99
d.hours: 300 / 300
notes: possible substitution:

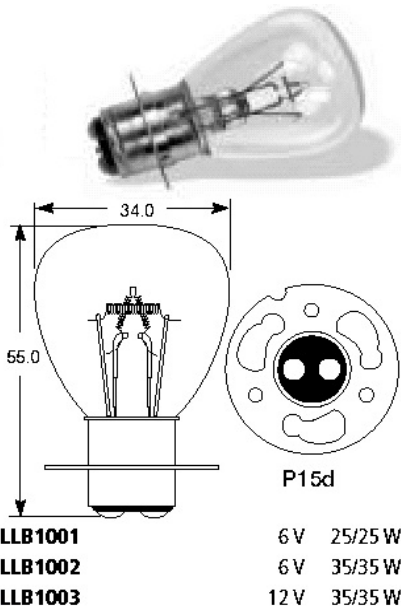
2331 USA

clear glass

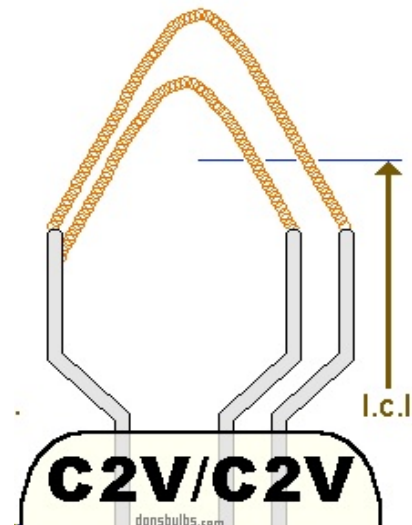
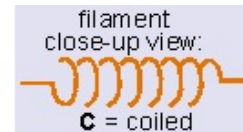
uses socket: DB-P15D30-1



typical shape of RP11 glass envelopes (not to scale)



typical photo of bulb type
(your bulb may look slightly different)



typical shape of C2V/C2V filament (not to scale)

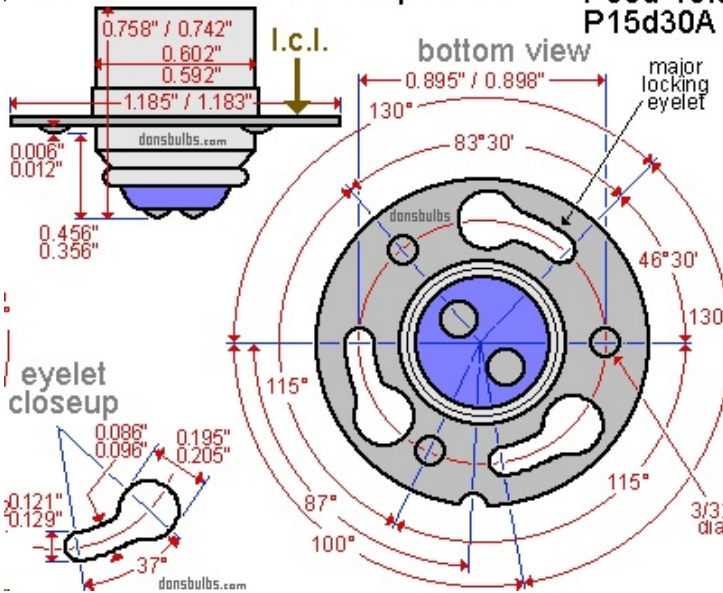
P15d30

double contact prefocus
DC prefocus
double contact candelabra prefocus

A26A
DCPA

P15d
P30d
P15dA
P30dA
P30d-10.3
P15d30A

- 35-35RP11DCPCL6V-300H
- DONSBULBS
- 35-35RP11DCPCL6V-400H
- DONSBULBS
- 35-35RP11DCPCL6V DONSBULBS
- 2550/3512-USA SUNG-WHEE
- 3422 ACELITE
- 3512/6V/35W/35W/50CP/50CP/P15D30/RP35MM/C2V/C2V SUNG-WHEE
- 3512/6V/35W/35W/50CP/50CP/P15D30/RP35MM SUNG-WHEE
- 3512/2550-USA SUNG-WHEE
- 3512/6902-PHILIPS SUNG-WHEE
- 3512 SUNG-WHEE
- 3522 TRIFA
- 3812 ALTAN
- 5659 EUROPEAN
- 6902/3512-PHILIPS SUNG-WHEE
- 7559/6V/35W/35W OSRAM
- 7559 EUROPEAN
- 7559 OSRAM
- 48024 EIKO
- 48024 UPC
- 48025 EIKO
- 48025 UPC
- 031293480248 EIKO
- A-5659-BLISTER-PACK EIKO
- A-5659-BP EIKO
- A-5659-LIFE
- A-5659-STANLEY
- A-5659 EIKO
- A-5659BP EIKO
- A5659-BP EIKO
- A5659-LIFE
- A5659-STANLEY
- A5659 EIKO
- A5659 EUROPEAN
- A5659BP EIKO
- A5659K STANLEY
- A7559 EUROPEAN
- AB3804
- AB3804/6V/35W/35W
- AP15D063535 BAILEY
- AP15D.06.35.35 BAILEY



industry standards for base:
P15d30 - Double Contact Prefocus Flanged
also known as Double Contact Prefocus
Bayonet
also known as P15d (Europe)
also known as P30d (USA)
(not to scale)

Cross-Reference:

- 6V-35/35W-DCP
- 6V-35/35W-DCP-C2V/C6
- 6V-35/35W-P15D30
- 6V-35/35W-P15D30-C2V/C6
- 6V-35W/35W-DCP
- 6V-35W/35W-DCP-C2V/C6
- 6V-35W/35W-P15D30
- 6V-35W/35W-P15D30-C2V/C6
- 6V/35W/35W/P15D
- 6V/35W/35W/P15D30
- 6V/35W/35W/P15D30/C2V/C6
- 6V/35W/35W/P15D30/RP10/C6/C2V
- 6VOLT-35WATT-35WATT-P15D30

I/6V/35W/35W/P15D30
I/6V/35W/35W/P15D30/7559 EUROPEAN
I/6V/35W/35W/P15D30/7559 OSRAM
I/6V/35W/35W/P15D30/C2V/C6
I/6V/35W/35W/P15D30/CL/7559 EUROPEAN
I/6V/35W/35W/P15D30/RP11
I/6V/35W/35W/P15D30/RP11/55MMMOL/C6
/C2V/LLB1002 LUCAS
I/6V/35W/35W/P15D30/RP11/300H
I/6V/35W/35W/P15D30/RP11/300H/3812
ALTAN
I/6V/35W/35W/P15D30/RP11/5659
EUROPEAN
I/6V/35W/35W/P15D30/RP11/A5659-STANL
EY
I/6V/35W/35W/P15D30/RP11/C2R/C2R
I/6V/35W/35W/P15D30/RP11/C2V/C6
I/6V/35W/35W/P15D30/RP11/CL/35-35RP11
DCPCL6V-300H DONSBULBS
I/6V/35W/35W/P15D30/RP11/CL/35-35RP11
DCPCL6V-400H DONSBULBS
I/6V/35W/35W/P15D30/RP11/CL/35-35RP11
DCPCL6V DONSBULBS
I/6V/35W/35W/P15D30/RP11/CL/55MMMOL/
C6/C2V/LLB1002 LUCAS
I/6V/35W/35W/P15D30/RP11/CL/300H/35-3
5RP11DCPCL6V-300H DONSBULBS
I/6V/35W/35W/P15D30/RP11/CL/300H/300
H/35-35RP11DCPCL6V-300H DONSBULBS
I/6V/35W/35W/P15D30/RP11/CL
35-35RP11DCPCL6V DONSBULBS
I/6V/35W/35W/P15D30/RP35MM
I/6V/35W/35W/P15D30/RP35MM/3422
ACELITE
I/6V/35W/35W/P15D30/RP35MM/A5659K
STANLEY
I/6V/35W/35W/P15D30/TUBE
I/6V/35W/35W/P15D30/TUBE/300H
LLB-1002 LUCAS
LLB1002/6V/35W/35W/P15D/RP34MM/55MM
MOL/C6/C2V LUCAS
LLB1002/6V/35W/35W/P15D LUCAS
LLB1002 LUCAS