

# 1002 is known as: 1002-USA

## 1002-USA bulb specifications:

category: **Miniature**

volt: **6.4 / 6.4**

amp: **2.63 / 2.63**

watt: **16.8 / 16.8**

base: **BA15d** - Double Contact Candelabra Bayonet (or D.C.Bayonet)

glass: **S8**

filament: **C2V**

fil.res.: **2.43 / 2.43 ohm**

i.lumens: **264**

cp: **21**

d.hours: **200**

uses socket: **DB-BA15D1**

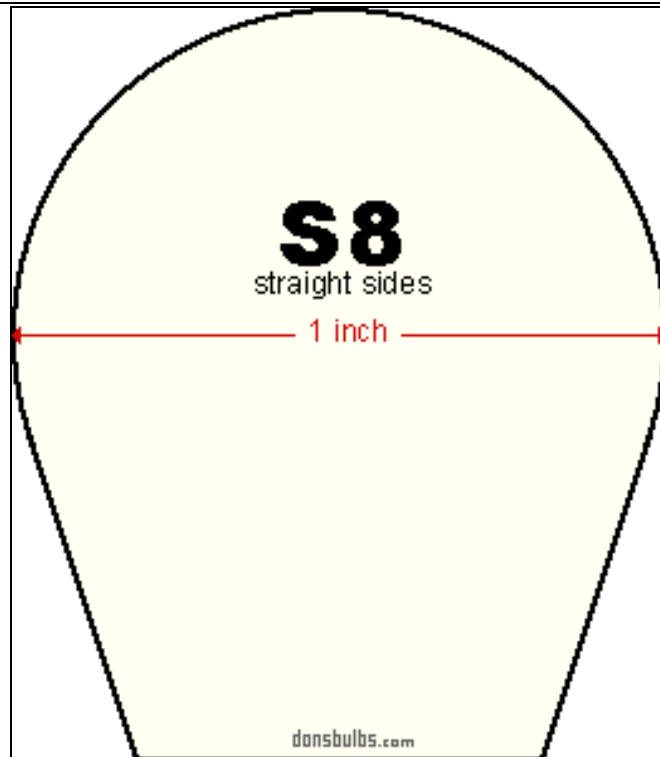
## 1002-USA also known as Cross-Reference:

1002-USA

1002

AGI-AS845

CM1002



usual shape of **S8** glass envelopes (not to scale)

## 1002-USA

have been found in equipment:

### Chrysler

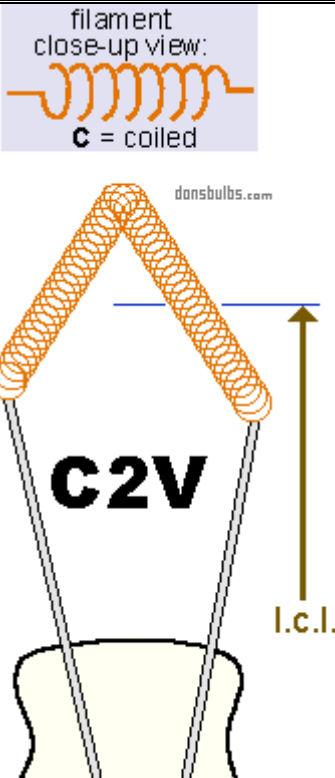
1950 STEP-COURTESY-LAMP Automobile

### Desoto

1950 STEP-COURTESY-LAMP Automobile

### Dodge

1950 STEP-COURTESY-LAMP Automobile



typical shape of C2V filament (not to scale)

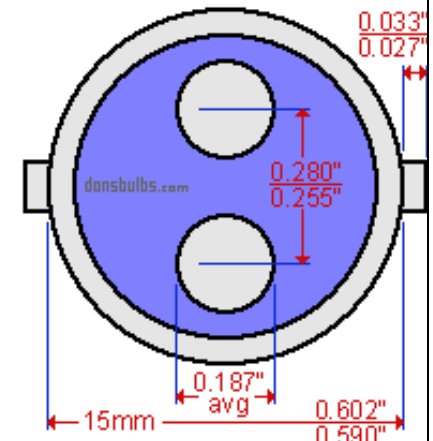
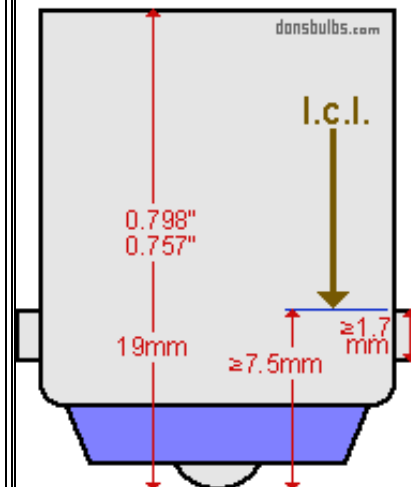
# BA15d

double contact bayonet  
DC bayonet  
double contact candelabra bayonet  
SBC (British small bayonet cap)

IEC7004-11  
DIN49721

IEC7005-13  
DIN49642T6

A19A  
A19B  
A19C  
A19D  
B15d  
SBC  
DC  
BD



industry standards for base: **BA15d** - Double Contact Candelabra Bayonet (or D.C.Bayonet) (not to scale)