

# 1004 is known as: 1004-USA

## 1004-USA bulb specifications:

category: **Miniature**

volt: **12.8**

amp: **.938**

watt: **12**

base: **BA15d** - Double Contact Candelabra Bayonet (or D.C.Bayonet)

glass: **B6**

filament: **C6**

fil.res.: **13.6** ohm

m.o.l.: **1.75** inches

l.c.l.: **1.06** inches

i.lumens: **189**

cp: **15**

d.hours: **200**

notes:

**Automotive Lamp**

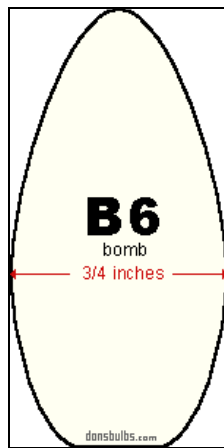
dome lamp

Marine

side lamp

tail lamp

uses socket: [DB-BA15D1](#)



usual shape of **B6** glass envelopes (not to scale)

## 1004-USA

also known as **Cross-Reference:**

1004-USA

031293401588

031293401588-EIKO

031293401595

031293401595-EIKO

031293401601

031293401601-EIKO

1004

1004-BMC

1004-BP

1004-BP-EIKO

1004-BULK

1004-BULK-EIKO

1004-EIKO

1004-GE

1004-LECTRA

1004-LUGON

1004-MAZDA

1004-N

1004-NORMAN

1004GE

1004N

1004W

1142F-TUNGSRAM

12.8-012-03

12402

12402-P

12402-PHILIPS

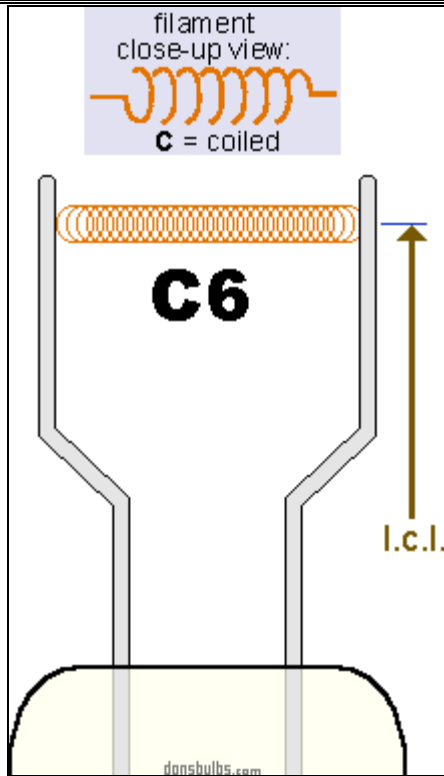
12402P

20398-4

2258

2258-FOCUS

22842-9



typical shape of C6 filament  
(not to scale)

- 3672
- 3672-STANLEY
- 455136
- 455136-GMH
- A151578
- A151578-CHRYSLER
- A3672W
- AB2802
- AGI-3314
- AT-3314
- AT-3314-AIDLITE
- AT3314
- AT3314-AIDLITE
- AT4304
- B6A-13730A
- B6A-13730A-FORD
- B6A13730A
- B6A13730A-FORD
- CM1004
- FOCUS-2258
- GE1004
- MB-10040
- MB10040
- P-12402
- P12402
- STANLEY-3672
- W1004

# BA15d

double contact bayonet

DC bayonet

double contact candelabra bayonet

SBC (British small bayonet cap)

IEC7004-11  
DIN49721

IEC7005-13  
DIN49642T6

A19A  
A19B  
A19C  
A19D  
B15d  
SBC  
DC  
BD

**1004-USA** have been found in equipment:

## Buick

- 1953-SERIES-50 DOME-LAMP Automobile
- 1953-SERIES-70 DOME-LAMP Automobile
- 1954-12-VOLT DOME-LAMP Automobile
- 1955-12-VOLT DOME-LAMP Automobile
- 1956-12-VOLT DOME-LAMP Automobile
- 1957-12-VOLT DOME-LAMP Automobile

## Cadillac

- 1953-12-VOLT DOME-LAMP Automobile
- 1954-12-VOLT DOME-LAMP Automobile
- 1955-12-VOLT DOME-LAMP Automobile
- 1956-12-VOLT DOME-LAMP Automobile
- 1957-12-VOLT DOME-LAMP Automobile

## Chevrolet

- 1955-12-VOLT DOME-LAMP Automobile
- 1955-12-VOLT STEP-COURTESY-LAMP Automobile
- 1956-12-VOLT DOME-LAMP Automobile
- 1957-12-VOLT DOME-LAMP Automobile

## Chrysler

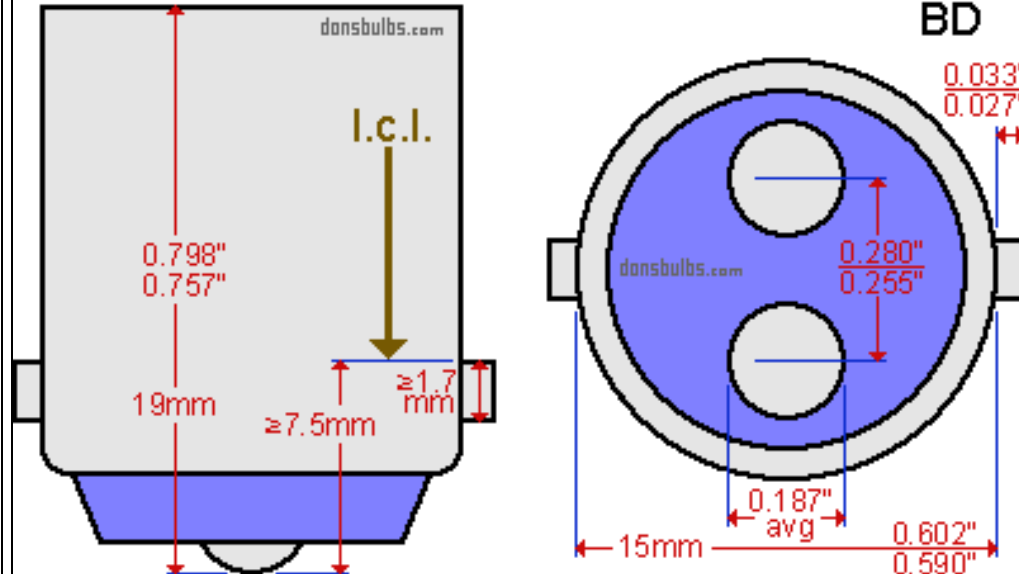
- 1955-12-VOLT DOME-LAMP Automobile
- 1956-12-VOLT DOME-LAMP Automobile
- 1956 MAP-LAMP Automobile
- 1957-12-VOLT DOME-LAMP Automobile
- 1957 MAP-LAMP Automobile

## Desoto

- 1956-12-VOLT DOME-LAMP Automobile
- 1956-12-VOLT MAP-LAMP Automobile
- 1957-12-VOLT DOME-LAMP Automobile
- 1957 MAP-LAMP Automobile

## Dodge

- 1956-12-VOLT DOME-LAMP Automobile
- 1956-12-VOLT MAP-LAMP Automobile
- 1956 DOME-LAMP Automobile / Truck
- 1957-12-VOLT DOME-LAMP Automobile
- 1957 DOME-LAMP Automobile / Truck



industry standards for base:

**BA15d** - Double Contact Candelabra Bayonet (or D.C.Bayonet)  
(not to scale)

1957 MAP-LAMP Automobile

**Oldsmobile**

1953-12-VOLT DOME-LAMP Automobile

1954-12-VOLT DOME-LAMP Automobile

1955-12-VOLT DOME-LAMP Automobile

1956-12-VOLT DOME-LAMP Automobile

1957-12-VOLT DOME-LAMP Automobile

**Packard**

1955-12-VOLT DOME-LAMP Automobile

1955-12-VOLT STEP-COURTESY-LAMP Automobile

1956-12-VOLT DOME-LAMP Automobile

1956-12-VOLT STEP-COURTESY-LAMP Automobile

1956 MAP-LAMP Automobile

1957-12-VOLT DOME-LAMP Automobile

1957-12-VOLT STEP-COURTESY-LAMP Automobile

1957 MAP-LAMP Automobile

**Plymouth**

1956-12-VOLT DOME-LAMP Automobile

1957-12-VOLT DOME-LAMP Automobile

**Pontiac**

1955-12-VOLT DOME-LAMP Automobile

1956-12-VOLT DOME-LAMP Automobile

1957-12-VOLT DOME-LAMP Automobile

**Studebaker**

1956 DOME-LAMP Automobile

1957 DOME-LAMP Automobile