

# 1142 is known as: 1142-USA

## 1142-USA bulb specifications:

category: **Miniature**

volt: **12.8**

amp: **1.44**

watt: **18.4**

base: **BA15d** - Double Contact Candelabra Bayonet (or D.C.Bayonet)

glass: **S8**

filament: **C6**

fil.res.: **8.89** ohm

m.o.l.: **2** inches

l.c.l.: **1.25** inches

burn pos: burn lamp in **ANY** position

i.lumens: **264**

cp: **21**

d.hours: **500**

notes:

**Aircraft Lamp**

**Automotive Lamp**

flasher lamp

ground service lamp

interior

stop lamp

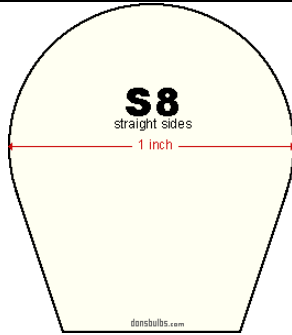
uses socket: [DB-BA15D1](#)



typical photo of **1142-USA** bulb type  
(your bulb may look slightly different)

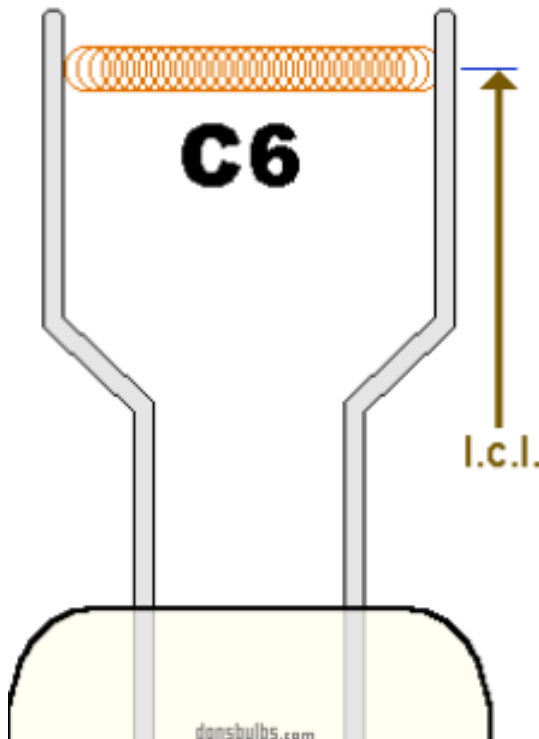
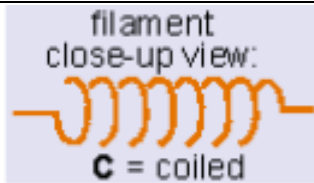
## 1142-USA also known as Cross-Reference:

1142-USA  
031293401786  
031293401786-EIKO  
031293410672  
031293410672-EIKO  
031293421647  
031293421647-EIKO  
1142  
1142-BMC  
1142-BP  
1142-BP-EIKO  
1142-BULK  
1142-BULK-EIKO  
1142-EIKO  
1142-GE  
1142-LECTRA  
1142-LUGON  
1142-MAZDA  
1142-TUNGSRAM  
1142GE  
15584-4  
20406-5  
2560  
2560-FOCUS  
26919  
363-TRIFA  
36419  
4524-STANLEY  
623500U-MICROLAMP  
6240-00-155-8693  
AB3005  
AGI-3427  
AGI-AS861  
AS-3621



usual shape of **S8** glass envelopes (not to scale)

AS-3621-AIDLITE  
 AS3621  
 AS3621-AIDLITE  
 AS4611  
 CM1142  
 FOCUS-2560  
 GE1142  
 MB-11420  
 MB11420  
 STANLEY-4524



typical shape of **C6** filament  
 (not to scale)

**1142-USA** have been found in equipment:

**Eastman Kodak Company**

4 RECORDAK-READER Reader Microfilm  
 IV RECORDAK-READER Reader Microfilm

**GMC**

1946-COACHES-TD-3206,3609,4007,4506;TG-3206,3609;PD,PDA,PG,PGA STOP-LAMP Automobile / Truck  
 1946-COACHES-TD3206,3609,4007,4506;TG3206,3609;-PD,PDA,PG,PGA STOP-LAMP Automobile / Truck  
 1946-COACHES-TD3206,3609,4007,4506;TG3206,3609;PD,PDA,PG,PGA STOP-LAMP Automobile / Truck  
 1947-COACHES-TD-3206,3609,4007,4506;TG-3206,3609;PD,PDA,PG,PGA STOP-LAMP Automobile / Truck  
 1947-COACHES-TD3206,3609,4007,4506;TG3206,3609;-PD,PDA,PG,PGA STOP-LAMP Automobile / Truck  
 1947-COACHES-TD3206,3609,4007,4506;TG3206,3609;PD,PDA,PG,PGA STOP-LAMP Automobile / Truck

# BA15d

double contact bayonet

DC bayonet

double contact candelabra bayonet

SBC (British small bayonet cap)

IEC7004-11

DIN49721

IEC7005-13

DIN49642T6

A19A

A19B

A19C

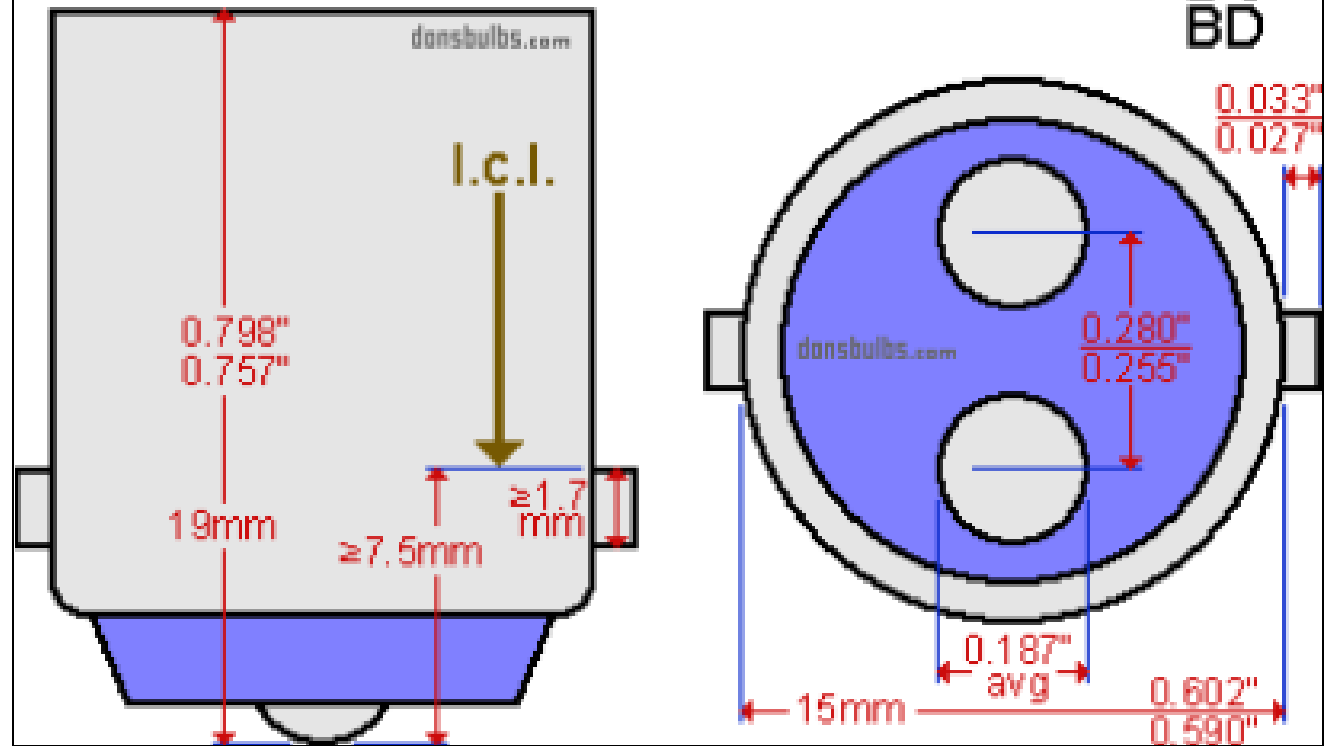
A19D

B15d

SBC

DC

BD



industry standards for base:

**BA15d** - Double Contact Candelabra Bayonet (or D.C.Bayonet)

(not to scale)