

# 1154 is known as: 1154-USA

## 1154-USA bulb specifications:

category: **Miniature**

volt: **6**

amp: **3 / 1**

watt: **18 / 6**

base: **BAY15d** - Double Contact Index Bayonet

notes:

Automobile Lamp

flasher lamp

side lamp

stop lamp

tail lamp

## 1154-USA

also known as **Cross-Reference:**

1154-USA

1006-TUNGSRAM

1154

1154-BP

1154-BP-EIKO

1154-EIKO

1154-GE

1154-LECTRA

1154-LUGON

1154-MAZDA

13465

13465-FORD

384-BMC

384-LUCAS

384-OSRAM

6500

6500-P

6500-PHILIPS

6500P

CM1154

ET6-13465

ET6-13465-FORD

LUCAS-384

MB-11540

MB11540

P-6500

P6500

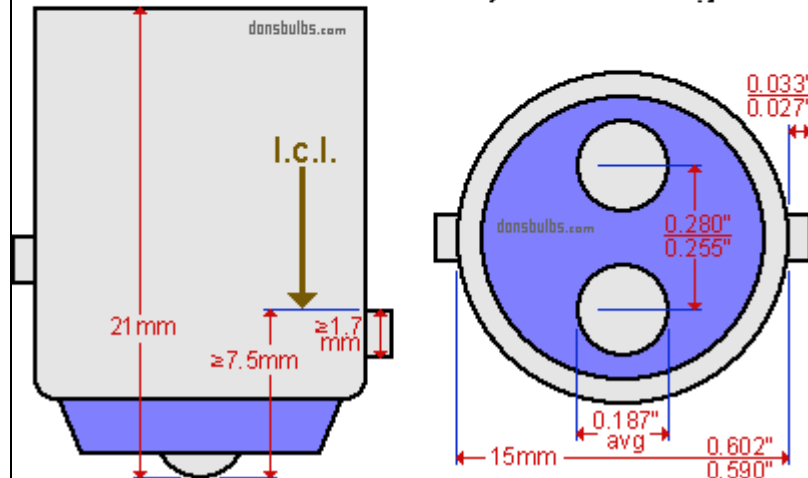
# BAY15d

IEC7004-11B  
DIN49720T2  
IEC7005-13  
DIN49642T6

A21A  
A21B  
SBC

P21/5W

double contact bayonet indexing  
DC bayonet indexing  
double contact candelabra bayonet indexing



industry standards for base:

**BAY15d** - Double Contact Index Bayonet  
(not to scale)

**1154-USA** have been found in equipment:

## Allstate

- 1952 DIRECTION-SIGNAL-FRONT Automobile
- 1952 DIRECTION-SIGNAL-REAR Automobile
- 1952 REAR-LAMP Automobile
- 1952 STOP-LAMP Automobile
- 1953 DIRECTION-SIGNAL-FRONT Automobile
- 1953 DIRECTION-SIGNAL-REAR Automobile
- 1953 REAR-LAMP Automobile
- 1953 STOP-LAMP Automobile

## Available

- 1956-6-VOLT STOP-LAMP Automobile / Truck
- 1956-6-VOLT TAIL-LAMP Automobile / Truck

## Buick

- 1937 REAR-LAMP Automobile
- 1937 STOP-LAMP Automobile
- 1938 REAR-LAMP Automobile
- 1938 STOP-LAMP Automobile
- 1939 REAR-LAMP Automobile
- 1939 STOP-LAMP Automobile
- 1940 DIRECTION-SIGNAL-FRONT Automobile
- 1940 PARKING-LAMP Automobile
- 1940 REAR-LAMP Automobile
- 1940 STOP-LAMP Automobile
- 1941 DIRECTION-SIGNAL-FRONT Automobile
- 1941 PARKING-LAMP Automobile
- 1941 REAR-LAMP Automobile
- 1941 STOP-LAMP Automobile
- 1942 DIRECTION-SIGNAL-FRONT Automobile
- 1942 PARKING-LAMP Automobile
- 1942 REAR-LAMP Automobile
- 1942 STOP-LAMP Automobile
- 1946-SERIES-40 DIRECTION-SIGNAL-FRONT Automobile
- 1946-SERIES-40 PARKING-LAMP Automobile
- 1946-SERIES-40 REAR-LAMP Automobile
- 1946-SERIES-40 STOP-LAMP Automobile
- 1946-SERIES-50 DIRECTION-SIGNAL-FRONT Automobile

1946-SERIES-50 DIRECTION-SIGNAL-REAR Automobile  
1946-SERIES-50 PARKING-LAMP Automobile  
1946-SERIES-50 REAR-LAMP Automobile  
1946-SERIES-50 STOP-LAMP Automobile  
1946-SERIES-70 DIRECTION-SIGNAL-FRONT Automobile  
1946-SERIES-70 DIRECTION-SIGNAL-REAR Automobile  
1946-SERIES-70 PARKING-LAMP Automobile  
1946-SERIES-70 REAR-LAMP Automobile  
1946-SERIES-70 STOP-LAMP Automobile  
1947-SERIES-40 DIRECTION-SIGNAL-FRONT Automobile  
1947-SERIES-40 PARKING-LAMP Automobile  
1947-SERIES-40 REAR-LAMP Automobile  
1947-SERIES-40 STOP-LAMP Automobile  
1947-SERIES-50 DIRECTION-SIGNAL-FRONT Automobile  
1947-SERIES-50 DIRECTION-SIGNAL-REAR Automobile  
1947-SERIES-50 PARKING-LAMP Automobile  
1947-SERIES-50 REAR-LAMP Automobile  
1947-SERIES-50 STOP-LAMP Automobile  
1947-SERIES-70 DIRECTION-SIGNAL-FRONT Automobile  
1947-SERIES-70 DIRECTION-SIGNAL-REAR Automobile  
1947-SERIES-70 PARKING-LAMP Automobile  
1947-SERIES-70 REAR-LAMP Automobile  
1947-SERIES-70 STOP-LAMP Automobile  
1948-SERIES-40 DIRECTION-SIGNAL-FRONT Automobile  
1948-SERIES-40 PARKING-LAMP Automobile  
1948-SERIES-40 REAR-LAMP Automobile  
1948-SERIES-40 STOP-LAMP Automobile  
1948-SERIES-50 DIRECTION-SIGNAL-FRONT Automobile  
1948-SERIES-50 DIRECTION-SIGNAL-REAR Automobile  
1948-SERIES-50 PARKING-LAMP Automobile  
1948-SERIES-50 REAR-LAMP Automobile  
1948-SERIES-50 STOP-LAMP Automobile  
1948-SERIES-70 DIRECTION-SIGNAL-FRONT Automobile  
1948-SERIES-70 DIRECTION-SIGNAL-REAR Automobile  
1948-SERIES-70 PARKING-LAMP Automobile  
1948-SERIES-70 REAR-LAMP Automobile  
1948-SERIES-70 STOP-LAMP Automobile  
1949-SERIES-40 DIRECTION-SIGNAL-FRONT Automobile

1949-SERIES-40 PARKING-LAMP Automobile  
1949-SERIES-40 REAR-LAMP Automobile  
1949-SERIES-40 STOP-LAMP Automobile  
1949-SERIES-50 DIRECTION-SIGNAL-FRONT Automobile  
1949-SERIES-50 DIRECTION-SIGNAL-REAR Automobile  
1949-SERIES-50 PARKING-LAMP Automobile  
1949-SERIES-50 REAR-LAMP Automobile  
1949-SERIES-50 STOP-LAMP Automobile  
1949-SERIES-70 DIRECTION-SIGNAL-FRONT Automobile  
1949-SERIES-70 DIRECTION-SIGNAL-REAR Automobile  
1949-SERIES-70 PARKING-LAMP Automobile  
1949-SERIES-70 REAR-LAMP Automobile  
1949-SERIES-70 STOP-LAMP Automobile  
1950 DIRECTION-SIGNAL-FRONT Automobile  
1950 PARKING-LAMP Automobile  
1950 REAR-LAMP Automobile  
1950 STOP-LAMP Automobile  
1951-SERIES-40 DIRECTION-SIGNAL-FRONT Automobile  
1951-SERIES-40 REAR-LAMP Automobile  
1951-SERIES-40 STOP-LAMP Automobile  
1951-SERIES-50 DIRECTION-SIGNAL-FRONT Automobile  
1951-SERIES-50 PARKING-LAMP Automobile  
1951-SERIES-50 REAR-LAMP Automobile  
1951-SERIES-50 STOP-LAMP Automobile  
1951-SERIES-70 DIRECTION-SIGNAL-FRONT Automobile  
1951-SERIES-70 PARKING-LAMP Automobile  
1951-SERIES-70 REAR-LAMP Automobile  
1951-SERIES-70 STOP-LAMP Automobile  
1952-SERIES-40 DIRECTION-SIGNAL-FRONT Automobile  
1952-SERIES-40 REAR-LAMP Automobile  
1952-SERIES-40 STOP-LAMP Automobile  
1952-SERIES-50 DIRECTION-SIGNAL-FRONT Automobile  
1952-SERIES-50 PARKING-LAMP Automobile  
1952-SERIES-50 REAR-LAMP Automobile  
1952-SERIES-50 STOP-LAMP Automobile  
1952-SERIES-70 DIRECTION-SIGNAL-FRONT Automobile  
1952-SERIES-70 PARKING-LAMP Automobile  
1952-SERIES-70 REAR-LAMP Automobile

1952-SERIES-70 STOP-LAMP Automobile  
1953-SERIES-40 DIRECTION-SIGNAL-FRONT Automobile  
1953-SERIES-40 PARKING-LAMP Automobile  
1953-SERIES-40 REAR-LAMP Automobile  
1953-SERIES-40 STOP-LAMP Automobile

**Cadillac**

1937 REAR-LAMP Automobile  
1937 STOP-LAMP Automobile  
1938 REAR-LAMP Automobile  
1938 STOP-LAMP Automobile  
1940 DIRECTION-SIGNAL-FRONT Automobile  
1940 PARKING-LAMP Automobile  
1940 REAR-LAMP Automobile  
1940 STOP-LAMP Automobile  
1941 DIRECTION-SIGNAL-FRONT Automobile  
1941 PARKING-LAMP Automobile  
1941 REAR-LAMP Automobile  
1941 STOP-LAMP Automobile  
1942 DIRECTION-SIGNAL-FRONT Automobile  
1942 PARKING-LAMP Automobile  
1942 REAR-LAMP Automobile  
1942 STOP-LAMP Automobile  
1946 DIRECTION-SIGNAL-FRONT Automobile  
1946 DIRECTION-SIGNAL-REAR Automobile  
1946 PARKING-LAMP Automobile  
1946 REAR-LAMP Automobile  
1946 STOP-LAMP Automobile  
1947 DIRECTION-SIGNAL-FRONT Automobile  
1947 DIRECTION-SIGNAL-REAR Automobile  
1947 PARKING-LAMP Automobile  
1947 REAR-LAMP Automobile  
1947 STOP-LAMP Automobile  
1948 DIRECTION-SIGNAL-FRONT Automobile  
1948 DIRECTION-SIGNAL-REAR Automobile  
1948 PARKING-LAMP Automobile  
1948 REAR-LAMP Automobile  
1948 STOP-LAMP Automobile  
1949 DIRECTION-SIGNAL-FRONT Automobile

1949 DIRECTION-SIGNAL-REAR Automobile  
1949 PARKING-LAMP Automobile  
1949 REAR-LAMP Automobile  
1949 STOP-LAMP Automobile  
1950 DIRECTION-SIGNAL-FRONT Automobile  
1950 DIRECTION-SIGNAL-REAR Automobile  
1950 PARKING-LAMP Automobile  
1950 REAR-LAMP Automobile  
1950 STOP-LAMP Automobile  
1951 DIRECTION-SIGNAL-FRONT Automobile  
1951 DIRECTION-SIGNAL-REAR Automobile  
1951 PARKING-LAMP Automobile  
1951 REAR-LAMP Automobile  
1951 STOP-LAMP Automobile  
1952 DIRECTION-SIGNAL-FRONT Automobile  
1952 DIRECTION-SIGNAL-REAR Automobile  
1952 PARKING-LAMP Automobile  
1952 REAR-LAMP Automobile  
1952 STOP-LAMP Automobile

**Checker Cab**

1949 STOP-LAMP Automobile / Truck  
1949 TAIL-LAMP Automobile / Truck  
1950 STOP-LAMP Automobile / Truck  
1950 TAIL-LAMP Automobile / Truck  
1951 STOP-LAMP Automobile / Truck  
1951 TAIL-LAMP Automobile / Truck  
1952 STOP-LAMP Automobile / Truck  
1952 TAIL-LAMP Automobile / Truck  
1953 DIRECTION-LAMP Automobile /  
Truck front:1158,rear:1154  
1953 STOP-LAMP Automobile / Truck  
1953 TAIL-LAMP Automobile / Truck  
1954 DIRECTION-LAMP Automobile / Truck  
1954 PARKING-LAMP Automobile / Truck  
1954 STOP-LAMP Automobile / Truck  
1954 TAIL-LAMP Automobile / Truck  
1955 DIRECTION-LAMP Automobile / Truck  
1955 PARKING-LAMP Automobile / Truck

1955 STOP-LAMP Automobile / Truck

1955 TAIL-LAMP Automobile / Truck

**Chevrolet**

1939-COACH REAR-LAMP Automobile

1939-COACH STOP-LAMP Automobile

1939-SEDAN REAR-LAMP Automobile

1939-SEDAN STOP-LAMP Automobile

1940 DIRECTION-SIGNAL-FRONT Automobile

1940 DIRECTION-SIGNAL-REAR Automobile

1940 REAR-LAMP Automobile

1940 STOP-LAMP Automobile / Truck

1941 DIRECTION-SIGNAL-FRONT Automobile

1941 DIRECTION-SIGNAL-REAR Automobile

1941 REAR-LAMP Automobile

1941 STOP-LAMP Automobile / Truck

1942 DIRECTION-SIGNAL-FRONT Automobile

1942 DIRECTION-SIGNAL-REAR Automobile

1942 REAR-LAMP Automobile

1942 STOP-LAMP Automobile / Truck

1946 DIRECTION-SIGNAL-FRONT Automobile

1946 DIRECTION-SIGNAL-REAR Automobile

1946 REAR-LAMP Automobile

1946 STOP-LAMP Automobile / Truck

1947-1-TON STOP-LAMP Automobile / Truck

1947-1-TON TAIL-LAMP Automobile / Truck

1947-1/2-TON STOP-LAMP Automobile / Truck

1947-1/2-TON TAIL-LAMP Automobile / Truck

1947-1/2TON STOP-LAMP Automobile / Truck

1947-1/2TON TAIL-LAMP Automobile / Truck

1947-1TON STOP-LAMP Automobile / Truck

1947-1TON TAIL-LAMP Automobile / Truck

1947 DIRECTION-SIGNAL-FRONT Automobile

1947 DIRECTION-SIGNAL-REAR Automobile

1947 REAR-LAMP Automobile

1947 STOP-LAMP Automobile / Truck

1948-1-TON STOP-LAMP Automobile / Truck

1948-1-TON TAIL-LAMP Automobile / Truck

1948-1/2-TON STOP-LAMP Automobile / Truck

1948-1/2-TON TAIL-LAMP Automobile / Truck  
1948-1/2TON STOP-LAMP Automobile / Truck  
1948-1/2TON TAIL-LAMP Automobile / Truck  
1948-1TON STOP-LAMP Automobile / Truck  
1948-1TON TAIL-LAMP Automobile / Truck  
1948 DIRECTION-SIGNAL-FRONT Automobile  
1948 DIRECTION-SIGNAL-REAR Automobile  
1948 REAR-LAMP Automobile  
1948 STOP-LAMP Automobile / Truck  
1949-1-TON STOP-LAMP Automobile / Truck  
1949-1-TON TAIL-LAMP Automobile / Truck  
1949-1/2-TON STOP-LAMP Automobile / Truck  
1949-1/2-TON TAIL-LAMP Automobile / Truck  
1949-1/2TON STOP-LAMP Automobile / Truck  
1949-1/2TON TAIL-LAMP Automobile / Truck  
1949-1TON STOP-LAMP Automobile / Truck  
1949-1TON TAIL-LAMP Automobile / Truck  
1949 DIRECTION-SIGNAL-FRONT Automobile  
1949 DIRECTION-SIGNAL-REAR Automobile  
1949 REAR-LAMP Automobile  
1949 STOP-LAMP Automobile / Truck  
1950-1-TON STOP-LAMP Automobile / Truck  
1950-1-TON TAIL-LAMP Automobile / Truck  
1950-1/2-TON STOP-LAMP Automobile / Truck  
1950-1/2-TON TAIL-LAMP Automobile / Truck  
1950-1/2TON STOP-LAMP Automobile / Truck  
1950-1/2TON TAIL-LAMP Automobile / Truck  
1950-1TON STOP-LAMP Automobile / Truck  
1950-1TON TAIL-LAMP Automobile / Truck  
1950 DIRECTION-SIGNAL-FRONT Automobile  
1950 DIRECTION-SIGNAL-REAR Automobile  
1950 REAR-LAMP Automobile  
1950 STOP-LAMP Automobile / Truck  
1951-1-TON STOP-LAMP Automobile / Truck  
1951-1-TON TAIL-LAMP Automobile / Truck  
1951-1/2-TON STOP-LAMP Automobile / Truck  
1951-1/2-TON TAIL-LAMP Automobile / Truck  
1951-1/2TON STOP-LAMP Automobile / Truck



1951-1/2TON TAIL-LAMP Automobile / Truck  
1951-1TON STOP-LAMP Automobile / Truck  
1951-1TON TAIL-LAMP Automobile / Truck  
1951 DIRECTION-SIGNAL-FRONT Automobile  
1951 DIRECTION-SIGNAL-REAR Automobile  
1951 REAR-LAMP Automobile  
1951 STOP-LAMP Automobile / Truck  
1952-1-TON STOP-LAMP Automobile / Truck  
1952-1-TON TAIL-LAMP Automobile / Truck  
1952-1/2-TON STOP-LAMP Automobile / Truck  
1952-1/2-TON TAIL-LAMP Automobile / Truck  
1952-1/2TON STOP-LAMP Automobile / Truck  
1952-1/2TON TAIL-LAMP Automobile / Truck  
1952-1TON STOP-LAMP Automobile / Truck  
1952-1TON TAIL-LAMP Automobile / Truck  
1952 DIRECTION-SIGNAL-FRONT Automobile  
1952 DIRECTION-SIGNAL-REAR Automobile  
1952 REAR-LAMP Automobile  
1952 STOP-LAMP Automobile / Truck  
1953-1-1/2-TON STOP-LAMP Automobile / Truck  
1953-1-1/2TON STOP-LAMP Automobile / Truck  
1953-1-TON STOP-LAMP Automobile / Truck  
1953-1-TON TAIL-LAMP Automobile / Truck  
1953-1/2-TON STOP-LAMP Automobile / Truck  
1953-1/2-TON TAIL-LAMP Automobile / Truck  
1953-1/2TON STOP-LAMP Automobile / Truck  
1953-1/2TON TAIL-LAMP Automobile / Truck  
1953-1TON STOP-LAMP Automobile / Truck  
1953-1TON TAIL-LAMP Automobile / Truck  
1953-2-TON STOP-LAMP Automobile / Truck  
1953-2TON STOP-LAMP Automobile / Truck  
1953-3/4-TON STOP-LAMP Automobile / Truck  
1953-3/4-TON TAIL-LAMP Automobile / Truck  
1953-3/4TON STOP-LAMP Automobile / Truck  
1953-3/4TON TAIL-LAMP Automobile / Truck  
1953 DIRECTION-SIGNAL-FRONT Automobile  
1953 DIRECTION-SIGNAL-REAR Automobile  
1954-1-TON DIRECTION-LAMP Automobile / Truck

1954-1-TON STOP-LAMP Automobile / Truck  
1954-1-TON TAIL-LAMP Automobile / Truck  
1954-1/2-TON DIRECTION-LAMP Automobile / Truck  
1954-1/2-TON STOP-LAMP Automobile / Truck  
1954-1/2-TON TAIL-LAMP Automobile / Truck  
1954-1/2TON DIRECTION-LAMP Automobile / Truck  
1954-1/2TON STOP-LAMP Automobile / Truck  
1954-1/2TON TAIL-LAMP Automobile / Truck  
1954-1TON DIRECTION-LAMP Automobile / Truck  
1954-1TON STOP-LAMP Automobile / Truck  
1954-1TON TAIL-LAMP Automobile / Truck  
1954 DIRECTION-LAMP Automobile / Truck  
1954 DIRECTION-SIGNAL-FRONT Automobile  
1954 DIRECTION-SIGNAL-REAR Automobile  
1954 PARKING-LAMP Automobile / Truck  
1954 REAR-LAMP Automobile  
1954 STOP-LAMP Automobile / Truck  
1954 TAIL-LAMP Automobile / Truck  
1955-1-TON DIRECTION-LAMP Automobile / Truck  
1955-1-TON STOP-LAMP Automobile / Truck  
1955-1-TON TAIL-LAMP Automobile / Truck  
1955-1/2-TON DIRECTION-LAMP Automobile / Truck  
1955-1/2-TON STOP-LAMP Automobile / Truck  
1955-1/2-TON TAIL-LAMP Automobile / Truck  
1955-1/2TON DIRECTION-LAMP Automobile / Truck  
1955-1/2TON STOP-LAMP Automobile / Truck  
1955-1/2TON TAIL-LAMP Automobile / Truck  
1955-1TON DIRECTION-LAMP Automobile / Truck  
1955-1TON STOP-LAMP Automobile / Truck  
1955-1TON TAIL-LAMP Automobile / Truck  
1955 DIRECTION-LAMP Automobile / Truck  
1955 PARKING-LAMP Automobile / Truck  
1955 STOP-LAMP Automobile / Truck  
1955 TAIL-LAMP Automobile / Truck

**Chrysler**

1951 DIRECTION-SIGNAL-FRONT Automobile  
1951 DIRECTION-SIGNAL-REAR Automobile  
1951 PARKING-LAMP Automobile

1951 REAR-LAMP Automobile  
1951 STOP-LAMP Automobile  
1952 DIRECTION-SIGNAL-FRONT Automobile  
1952 DIRECTION-SIGNAL-REAR Automobile  
1952 PARKING-LAMP Automobile  
1952 REAR-LAMP Automobile  
1952 STOP-LAMP Automobile  
1953 DIRECTION-SIGNAL-FRONT Automobile  
1953 DIRECTION-SIGNAL-REAR Automobile  
1953 PARKING-LAMP Automobile  
1953 REAR-LAMP Automobile  
1953 STOP-LAMP Automobile  
1954 DIRECTION-SIGNAL-FRONT Automobile  
1954 DIRECTION-SIGNAL-REAR Automobile  
1954 REAR-LAMP Automobile  
1954 STOP-LAMP Automobile  
1955 DIRECTION-SIGNAL-FRONT Automobile  
1955 DIRECTION-SIGNAL-REAR Automobile  
1955 PARKING-LAMP Automobile  
1955 REAR-LAMP Automobile  
1955 STOP-LAMP Automobile

**Crosley**

1949-SEDAN, CONVERTABLE DIRECTION-SIGNAL-FRONT Automobile  
1949-SEDAN, CONVERTABLE DIRECTION-SIGNAL-REAR Automobile  
1949-SEDAN, CONVERTABLE PARKING-LAMP Automobile  
1949-SEDAN, CONVERTABLE REAR-LAMP Automobile  
1949-SEDAN, CONVERTABLE STOP-LAMP Automobile  
1950 PARKING-LAMP Automobile  
1950 REAR-LAMP Automobile  
1950 STOP-LAMP Automobile  
1952 DIRECTION-SIGNAL-FRONT Automobile  
1952 DIRECTION-SIGNAL-REAR Automobile  
1952 PARKING-LAMP Automobile  
1952 REAR-LAMP Automobile  
1952 STOP-LAMP Automobile

### **Desoto**

1951 DIRECTION-SIGNAL-FRONT Automobile  
1951 DIRECTION-SIGNAL-REAR Automobile  
1951 REAR-LAMP Automobile  
1951 STOP-LAMP Automobile  
1952 DIRECTION-SIGNAL-FRONT Automobile  
1952 DIRECTION-SIGNAL-REAR Automobile  
1952 REAR-LAMP Automobile  
1952 STOP-LAMP Automobile  
1953 DIRECTION-SIGNAL-FRONT Automobile  
1953 DIRECTION-SIGNAL-REAR Automobile  
1953 REAR-LAMP Automobile  
1953 STOP-LAMP Automobile  
1954 DIRECTION-SIGNAL-FRONT Automobile  
1954 DIRECTION-SIGNAL-REAR Automobile  
1954 PARKING-LAMP Automobile  
1954 REAR-LAMP Automobile  
1954 STOP-LAMP Automobile  
1955 DIRECTION-SIGNAL-FRONT Automobile  
1955 DIRECTION-SIGNAL-REAR Automobile  
1955 PARKING-LAMP Automobile  
1955 REAR-LAMP Automobile  
1955 STOP-LAMP Automobile

### **Divco**

1955 DIRECTION-LAMP Automobile / Truck  
1955 STOP-LAMP Automobile / Truck  
1955 TAIL-LAMP Automobile / Truck  
1956 DIRECTION-LAMP Automobile / Truck  
1956 STOP-LAMP Automobile / Truck  
1956 TAIL-LAMP Automobile / Truck  
1957 DIRECTION-LAMP Automobile / Truck  
1957 STOP-LAMP Automobile / Truck  
1957 TAIL-LAMP Automobile / Truck

### **Dodge**

1951 DIRECTION-SIGNAL-FRONT Automobile  
1951 DIRECTION-SIGNAL-REAR Automobile  
1951 REAR-LAMP Automobile  
1951 STOP-LAMP Automobile / Truck

1952 DIRECTION-SIGNAL-FRONT Automobile  
1952 DIRECTION-SIGNAL-REAR Automobile  
1952 REAR-LAMP Automobile  
1952 STOP-LAMP Automobile / Truck  
1953 DIRECTION-SIGNAL-FRONT Automobile  
1953 DIRECTION-SIGNAL-REAR Automobile  
1953 PARKING-LAMP Automobile / Truck  
1953 REAR-LAMP Automobile / Truck  
1953 STOP-LAMP Automobile / Truck  
1953 TAIL-LAMP Automobile / Truck  
1954 DIRECTION-LAMP Automobile /  
Truck front:1129,rear:1154  
1954 DIRECTION-SIGNAL-FRONT Automobile  
1954 DIRECTION-SIGNAL-REAR Automobile  
1954 REAR-LAMP Automobile  
1954 STOP-LAMP Automobile / Truck  
1954 TAIL-LAMP Automobile / Truck  
1955 DIRECTION-LAMP Automobile /  
Truck front:1129,rear:1154  
1955 DIRECTION-SIGNAL-FRONT Automobile  
1955 DIRECTION-SIGNAL-REAR Automobile  
1955 REAR-LAMP Automobile  
1955 STOP-LAMP Automobile / Truck  
1955 TAIL-LAMP Automobile / Truck

**Ford**

1941 REAR-LAMP Automobile  
1941 STOP-LAMP Automobile / Truck  
1942 REAR-LAMP Automobile  
1942 STOP-LAMP Automobile / Truck  
1946 REAR-LAMP Automobile  
1946 STOP-LAMP Automobile / Truck  
1947 REAR-LAMP Automobile  
1947 STOP-LAMP Automobile / Truck  
1948-6-VOLT STOP-LAMP Automobile / Truck  
1948-6-VOLT TAIL-LAMP Automobile / Truck  
1948 DIRECTION-SIGNAL-FRONT Automobile  
1948 DIRECTION-SIGNAL-REAR Automobile  
1948 REAR-LAMP Automobile

1948 STOP-LAMP Automobile  
1949-6-VOLT STOP-LAMP Automobile / Truck  
1949-6-VOLT TAIL-LAMP Automobile / Truck  
1949 DIRECTION-SIGNAL-FRONT Automobile  
1949 DIRECTION-SIGNAL-REAR Automobile  
1949 REAR-LAMP Automobile  
1949 STOP-LAMP Automobile  
1950-6-VOLT STOP-LAMP Automobile / Truck  
1950-6-VOLT TAIL-LAMP Automobile / Truck  
1950 DIRECTION-SIGNAL-FRONT Automobile  
1950 DIRECTION-SIGNAL-REAR Automobile  
1950 REAR-LAMP Automobile  
1950 STOP-LAMP Automobile  
1951-6-VOLT STOP-LAMP Automobile / Truck  
1951-6-VOLT TAIL-LAMP Automobile / Truck  
1951 DIRECTION-SIGNAL-FRONT Automobile  
1951 DIRECTION-SIGNAL-REAR Automobile  
1951 PARKING-LAMP Automobile  
1951 REAR-LAMP Automobile  
1951 STOP-LAMP Automobile  
1952-6-VOLT STOP-LAMP Automobile / Truck  
1952-6-VOLT TAIL-LAMP Automobile / Truck  
1952 DIRECTION-SIGNAL-FRONT Automobile  
1952 DIRECTION-SIGNAL-REAR Automobile  
1952 PARKING-LAMP Automobile  
1952 REAR-LAMP Automobile  
1952 STOP-LAMP Automobile  
1953-PANEL,PARCEL-DELIVERY STOP-LAMP Automobile /  
Truck  
1953-PANEL,PARCEL-DELIVERY TAIL-LAMP Automobile /  
Truck  
1953 DIRECTION-SIGNAL-FRONT Automobile  
1953 DIRECTION-SIGNAL-REAR Automobile  
1953 PARKING-LAMP Automobile / Truck  
1953 REAR-LAMP Automobile  
1953 STOP-LAMP Automobile / Truck  
1953 TAIL-LAMP Automobile / Truck  
1954 DIRECTION-SIGNAL-FRONT Automobile

1954 DIRECTION-SIGNAL-REAR Automobile  
1954 PARKING-LAMP Automobile / Truck  
1954 REAR-LAMP Automobile  
1954 STOP-LAMP Automobile / Truck  
1954 TAIL-LAMP Automobile / Truck  
1955 DIRECTION-LAMP Automobile / Truck  
1955 DIRECTION-SIGNAL-FRONT Automobile  
1955 DIRECTION-SIGNAL-REAR Automobile  
1955 PARKING-LAMP Automobile / Truck  
1955 REAR-LAMP Automobile / Truck  
1955 STOP-LAMP Automobile / Truck  
1955 TAIL-LAMP Automobile / Truck

**Frazer**

1947 DIRECTION-SIGNAL-FRONT Automobile  
1947 PARKING-LAMP Automobile  
1947 REAR-LAMP Automobile  
1947 STOP-LAMP Automobile  
1948 DIRECTION-SIGNAL-FRONT Automobile  
1948 PARKING-LAMP Automobile  
1948 REAR-LAMP Automobile  
1948 STOP-LAMP Automobile

**GMC**

1954-6-VOLT STOP-LAMP Automobile / Truck  
1954-6-VOLT TAIL-LAMP Automobile / Truck  
1955-6-VOLT DIRECTION-LAMP Automobile / Truck  
1955-6-VOLT STOP-LAMP Automobile / Truck  
1955-6-VOLT TAIL-LAMP Automobile / Truck

**Hahn**

1951 STOP-LAMP Automobile / Truck  
1951 TAIL-LAMP Automobile / Truck  
1952 STOP-LAMP Automobile / Truck  
1952 TAIL-LAMP Automobile / Truck  
1953 STOP-LAMP Automobile / Truck  
1953 TAIL-LAMP Automobile / Truck  
1954 STOP-LAMP Automobile / Truck  
1954 TAIL-LAMP Automobile / Truck  
1955 STOP-LAMP Automobile / Truck  
1955 TAIL-LAMP Automobile / Truck

### **Hendrickson**

1950-6-VOLT TAIL-LAMP Automobile / Truck  
1951-6-VOLT DIRECTION-LAMP Automobile / Truck  
1951-6-VOLT TAIL-LAMP Automobile / Truck  
1952-6-VOLT DIRECTION-LAMP Automobile / Truck  
1952-6-VOLT TAIL-LAMP Automobile / Truck  
1953-6-VOLT DIRECTION-LAMP Automobile / Truck  
1953-6-VOLT TAIL-LAMP Automobile / Truck  
1954-6-VOLT DIRECTION-LAMP Automobile / Truck  
1954-6-VOLT TAIL-LAMP Automobile / Truck  
1955-6-VOLT DIRECTION-LAMP Automobile / Truck  
1955-6-VOLT TAIL-LAMP Automobile / Truck  
1956-6-VOLT DIRECTION-LAMP Automobile / Truck  
1956-6-VOLT TAIL-LAMP Automobile / Truck

### **Henry J**

1952 DIRECTION-SIGNAL-FRONT Automobile  
1952 DIRECTION-SIGNAL-REAR Automobile  
1952 REAR-LAMP Automobile  
1952 STOP-LAMP Automobile  
1953-533 DIRECTION-SIGNAL-FRONT Automobile  
1953-533 DIRECTION-SIGNAL-REAR Automobile  
1953-533 REAR-LAMP Automobile  
1953-533 STOP-LAMP Automobile  
1953-534 DIRECTION-SIGNAL-FRONT Automobile  
1953-534 DIRECTION-SIGNAL-REAR Automobile  
1953-534 REAR-LAMP Automobile  
1953-534 STOP-LAMP Automobile

### **Hudson**

1940 DIRECTION-SIGNAL-FRONT Automobile  
1940 DIRECTION-SIGNAL-REAR Automobile  
1940 REAR-LAMP Automobile  
1940 STOP-LAMP Automobile  
1941 REAR-LAMP Automobile  
1941 STOP-LAMP Automobile  
1942 REAR-LAMP Automobile  
1942 STOP-LAMP Automobile  
1946 DIRECTION-SIGNAL-REAR Automobile  
1946 REAR-LAMP Automobile



1946 STOP-LAMP Automobile  
1947 DIRECTION-SIGNAL-REAR Automobile  
1947 REAR-LAMP Automobile  
1947 STOP-LAMP Automobile  
1948-COMMODORE DIRECTION-SIGNAL-FRONT Automobile  
1948-COMMODORE REAR-LAMP Automobile  
1948-COMMODORE STOP-LAMP Automobile  
1948-SUPER DIRECTION-SIGNAL-FRONT Automobile  
1948-SUPER REAR-LAMP Automobile  
1948-SUPER STOP-LAMP Automobile  
1949-COMMODORE DIRECTION-SIGNAL-FRONT Automobile  
1949-COMMODORE REAR-LAMP Automobile  
1949-COMMODORE STOP-LAMP Automobile  
1949-SUPER DIRECTION-SIGNAL-FRONT Automobile  
1949-SUPER REAR-LAMP Automobile  
1949-SUPER STOP-LAMP Automobile  
1950-COMMODORE DIRECTION-SIGNAL-FRONT Automobile  
1950-COMMODORE REAR-LAMP Automobile  
1950-COMMODORE STOP-LAMP Automobile  
1950-SUPER DIRECTION-SIGNAL-FRONT Automobile  
1950-SUPER REAR-LAMP Automobile  
1950-SUPER STOP-LAMP Automobile  
1951-COMMODORE DIRECTION-SIGNAL-FRONT Automobile  
1951-COMMODORE REAR-LAMP Automobile  
1951-COMMODORE STOP-LAMP Automobile  
1951-SUPER DIRECTION-SIGNAL-FRONT Automobile  
1951-SUPER REAR-LAMP Automobile  
1951-SUPER STOP-LAMP Automobile  
1952 DIRECTION-SIGNAL-FRONT Automobile  
1952 DIRECTION-SIGNAL-REAR Automobile  
1952 REAR-LAMP Automobile  
1952 STOP-LAMP Automobile  
1953 DIRECTION-SIGNAL-FRONT Automobile  
1953 DIRECTION-SIGNAL-REAR Automobile  
1953 REAR-LAMP Automobile  
1953 STOP-LAMP Automobile  
1954 DIRECTION-SIGNAL-FRONT Automobile  
1954 DIRECTION-SIGNAL-REAR Automobile

1954 REAR-LAMP Automobile

1954 STOP-LAMP Automobile

1955 DIRECTION-SIGNAL-FRONT Automobile

1955 DIRECTION-SIGNAL-REAR Automobile

1955 PARKING-LAMP Automobile

1955 REAR-LAMP Automobile

1955 STOP-LAMP Automobile

### **International**

1955-6-VOLT STOP-LAMP Automobile / Truck

1955-6-VOLT TAIL-LAMP Automobile / Truck

### **Kaiser**

1947-SPECIAL REAR-LAMP Automobile

1947-SPECIAL STOP-LAMP Automobile

1948-CUSTOM DIRECTION-SIGNAL-FRONT Automobile

1948-CUSTOM PARKING-LAMP Automobile

1948-CUSTOM REAR-LAMP Automobile

1948-CUSTOM STOP-LAMP Automobile

1948 REAR-LAMP Automobile

1948 STOP-LAMP Automobile

1952 DIRECTION-SIGNAL-FRONT Automobile

1952 DIRECTION-SIGNAL-REAR Automobile

1952 PARKING-LAMP Automobile

1952 REAR-LAMP Automobile

1952 STOP-LAMP Automobile

1953 DIRECTION-SIGNAL-FRONT Automobile

1954 DIRECTION-SIGNAL-FRONT Automobile

1955 DIRECTION-SIGNAL-FRONT Automobile

1955 PARKING-LAMP Automobile

### **La Salle**

1939 REAR-LAMP Automobile

1939 STOP-LAMP Automobile

1940 DIRECTION-SIGNAL-FRONT Automobile

1940 DIRECTION-SIGNAL-REAR Automobile

1940 PARKING-LAMP Automobile

1940 REAR-LAMP Automobile

1940 STOP-LAMP Automobile

### **Lincoln Zephyr**

1941-CONTINENTAL DIRECTION-SIGNAL-

FRONT Automobile

1941-CONTINENTAL PARKING-LAMP Automobile  
1941-CUSTOM DIRECTION-SIGNAL-FRONT Automobile  
1941-CUSTOM DIRECTION-SIGNAL-REAR Automobile  
1941-CUSTOM PARKING-LAMP Automobile  
1941-CUSTOM REAR-LAMP Automobile  
1941 DIRECTION-SIGNAL-FRONT Automobile  
1941 DIRECTION-SIGNAL-REAR Automobile  
1941 PARKING-LAMP Automobile  
1941 REAR-LAMP Automobile  
1942 DIRECTION-SIGNAL-FRONT Automobile  
1942 DIRECTION-SIGNAL-REAR Automobile  
1942 PARKING-LAMP Automobile  
1942 REAR-LAMP Automobile  
1946 DIRECTION-SIGNAL-FRONT Automobile  
1946 DIRECTION-SIGNAL-REAR Automobile  
1946 PARKING-LAMP Automobile  
1946 REAR-LAMP Automobile  
1947 DIRECTION-SIGNAL-FRONT Automobile  
1947 DIRECTION-SIGNAL-REAR Automobile  
1947 PARKING-LAMP Automobile  
1947 REAR-LAMP Automobile  
1948 DIRECTION-SIGNAL-FRONT Automobile  
1948 DIRECTION-SIGNAL-REAR Automobile  
1948 PARKING-LAMP Automobile  
1948 REAR-LAMP Automobile  
1949 DIRECTION-SIGNAL-FRONT Automobile  
1949 DIRECTION-SIGNAL-REAR Automobile  
1949 PARKING-LAMP Automobile  
1949 REAR-LAMP Automobile  
1949 STOP-LAMP Automobile  
1950 DIRECTION-SIGNAL-FRONT Automobile  
1950 DIRECTION-SIGNAL-REAR Automobile  
1950 PARKING-LAMP Automobile  
1950 REAR-LAMP Automobile  
1950 STOP-LAMP Automobile  
1951 DIRECTION-SIGNAL-FRONT Automobile  
1951 DIRECTION-SIGNAL-REAR Automobile

1951 PARKING-LAMP Automobile  
1951 REAR-LAMP Automobile  
1951 STOP-LAMP Automobile  
1952 DIRECTION-SIGNAL-FRONT Automobile  
1952 DIRECTION-SIGNAL-REAR Automobile  
1952 PARKING-LAMP Automobile  
1952 REAR-LAMP Automobile  
1952 STOP-LAMP Automobile  
1953 DIRECTION-SIGNAL-FRONT Automobile  
1953 DIRECTION-SIGNAL-REAR Automobile  
1953 PARKING-LAMP Automobile  
1953 REAR-LAMP Automobile  
1953 STOP-LAMP Automobile  
1954 DIRECTION-SIGNAL-FRONT Automobile  
1954 DIRECTION-SIGNAL-REAR Automobile  
1954 PARKING-LAMP Automobile  
1954 REAR-LAMP Automobile  
1954 STOP-LAMP Automobile  
1955 DIRECTION-SIGNAL-FRONT Automobile  
1955 DIRECTION-SIGNAL-REAR Automobile  
1955 PARKING-LAMP Automobile  
1955 REAR-LAMP Automobile  
1955 STOP-LAMP Automobile

**Mercury**

1941 REAR-LAMP Automobile  
1941 STOP-LAMP Automobile  
1942 DIRECTION-SIGNAL-FRONT Automobile  
1942 DIRECTION-SIGNAL-REAR Automobile  
1942 REAR-LAMP Automobile  
1942 STOP-LAMP Automobile  
1946 DIRECTION-SIGNAL-FRONT Automobile  
1946 DIRECTION-SIGNAL-REAR Automobile  
1946 REAR-LAMP Automobile  
1946 STOP-LAMP Automobile  
1947 DIRECTION-SIGNAL-FRONT Automobile  
1947 DIRECTION-SIGNAL-REAR Automobile  
1947 REAR-LAMP Automobile  
1947 STOP-LAMP Automobile

1948 DIRECTION-SIGNAL-FRONT Automobile  
1948 DIRECTION-SIGNAL-REAR Automobile  
1948 REAR-LAMP Automobile  
1948 STOP-LAMP Automobile  
1949 DIRECTION-SIGNAL-FRONT Automobile  
1949 DIRECTION-SIGNAL-REAR Automobile  
1949 PARKING-LAMP Automobile  
1949 REAR-LAMP Automobile  
1949 STOP-LAMP Automobile  
1950 DIRECTION-SIGNAL-FRONT Automobile  
1950 DIRECTION-SIGNAL-REAR Automobile  
1950 PARKING-LAMP Automobile  
1950 REAR-LAMP Automobile  
1950 STOP-LAMP Automobile  
1951 DIRECTION-SIGNAL-FRONT Automobile  
1951 DIRECTION-SIGNAL-REAR Automobile  
1951 PARKING-LAMP Automobile  
1951 REAR-LAMP Automobile  
1951 STOP-LAMP Automobile  
1952 DIRECTION-SIGNAL-FRONT Automobile  
1952 DIRECTION-SIGNAL-REAR Automobile  
1952 PARKING-LAMP Automobile  
1952 REAR-LAMP Automobile  
1952 STOP-LAMP Automobile  
1953 DIRECTION-SIGNAL-FRONT Automobile  
1953 DIRECTION-SIGNAL-REAR Automobile  
1953 PARKING-LAMP Automobile  
1953 REAR-LAMP Automobile  
1953 STOP-LAMP Automobile  
1954 DIRECTION-SIGNAL-FRONT Automobile  
1954 DIRECTION-SIGNAL-REAR Automobile  
1954 PARKING-LAMP Automobile  
1954 REAR-LAMP Automobile  
1954 STOP-LAMP Automobile  
1955 DIRECTION-SIGNAL-FRONT Automobile  
1955 DIRECTION-SIGNAL-REAR Automobile  
1955 PARKING-LAMP Automobile  
1955 REAR-LAMP Automobile

1955 STOP-LAMP Automobile

**Nash**

1940 REAR-LAMP Automobile

1940 STOP-LAMP Automobile

1951-RAMBLER DIRECTION-SIGNAL-FRONT Automobile

1951-RAMBLER PARKING-LAMP Automobile

1951-RAMBLER REAR-LAMP Automobile

1951-RAMBLER STOP-LAMP Automobile

1951 DIRECTION-SIGNAL-FRONT Automobile

1951 DIRECTION-SIGNAL-REAR Automobile

1951 PARKING-LAMP Automobile

1951 REAR-LAMP Automobile

1951 STOP-LAMP Automobile

1952-RAMBLER DIRECTION-SIGNAL-FRONT Automobile

1952-RAMBLER PARKING-LAMP Automobile

1952-RAMBLER REAR-LAMP Automobile

1952-RAMBLER STOP-LAMP Automobile

1952 DIRECTION-SIGNAL-REAR Automobile

1952 REAR-LAMP Automobile

1952 STOP-LAMP Automobile

1953-RAMBLER DIRECTION-SIGNAL-FRONT Automobile

1953-RAMBLER DIRECTION-SIGNAL-REAR Automobile

1953-RAMBLER PARKING-LAMP Automobile

1953-RAMBLER REAR-LAMP Automobile

1953-RAMBLER STOP-LAMP Automobile

1953 DIRECTION-SIGNAL-FRONT Automobile

1953 DIRECTION-SIGNAL-REAR Automobile

1953 PARKING-LAMP Automobile

1953 REAR-LAMP Automobile

1953 STOP-LAMP Automobile

1954-RAMBLER DIRECTION-SIGNAL-FRONT Automobile

1954-RAMBLER DIRECTION-SIGNAL-REAR Automobile

1954-RAMBLER PARKING-LAMP Automobile

1954-RAMBLER REAR-LAMP Automobile

1954-RAMBLER STOP-LAMP Automobile

1954 DIRECTION-SIGNAL-FRONT Automobile

1954 DIRECTION-SIGNAL-REAR Automobile

1954 PARKING-LAMP Automobile

1954 REAR-LAMP Automobile  
1954 STOP-LAMP Automobile  
1955-RAMBLER DIRECTION-SIGNAL-FRONT Automobile  
1955-RAMBLER DIRECTION-SIGNAL-REAR Automobile  
1955-RAMBLER PARKING-LAMP Automobile  
1955-RAMBLER REAR-LAMP Automobile  
1955-RAMBLER STOP-LAMP Automobile  
1955 DIRECTION-SIGNAL-FRONT Automobile  
1955 DIRECTION-SIGNAL-REAR Automobile  
1955 PARKING-LAMP Automobile  
1955 REAR-LAMP Automobile  
1955 STOP-LAMP Automobile  
**Oldsmobile**  
1937 REAR-LAMP Automobile  
1937 STOP-LAMP Automobile  
1938 REAR-LAMP Automobile  
1938 STOP-LAMP Automobile  
1939 REAR-LAMP Automobile  
1939 STOP-LAMP Automobile  
1940 REAR-LAMP Automobile  
1940 STOP-LAMP Automobile  
1941 REAR-LAMP Automobile  
1941 STOP-LAMP Automobile  
1942 DIRECTION-SIGNAL-FRONT Automobile  
1942 DIRECTION-SIGNAL-REAR Automobile  
1942 REAR-LAMP Automobile  
1942 STOP-LAMP Automobile  
1943 DIRECTION-SIGNAL-FRONT Automobile  
1943 DIRECTION-SIGNAL-REAR Automobile  
1943 REAR-LAMP Automobile  
1943 STOP-LAMP Automobile  
1944 DIRECTION-SIGNAL-FRONT Automobile  
1944 DIRECTION-SIGNAL-REAR Automobile  
1944 REAR-LAMP Automobile  
1944 STOP-LAMP Automobile  
1945 DIRECTION-SIGNAL-FRONT Automobile  
1945 DIRECTION-SIGNAL-REAR Automobile  
1945 REAR-LAMP Automobile

1945 STOP-LAMP Automobile  
1946 DIRECTION-SIGNAL-FRONT Automobile  
1946 DIRECTION-SIGNAL-REAR Automobile  
1946 REAR-LAMP Automobile  
1946 STOP-LAMP Automobile  
1947-SERIES-60 DIRECTION-SIGNAL-FRONT Automobile  
1947-SERIES-60 DIRECTION-SIGNAL-REAR Automobile  
1947-SERIES-60 REAR-LAMP Automobile  
1947-SERIES-60 STOP-LAMP Automobile  
1947-SERIES-70 DIRECTION-SIGNAL-FRONT Automobile  
1947-SERIES-70 DIRECTION-SIGNAL-REAR Automobile  
1947-SERIES-70 REAR-LAMP Automobile  
1947-SERIES-70 STOP-LAMP Automobile  
1948-SERIES-60 DIRECTION-SIGNAL-FRONT Automobile  
1948-SERIES-60 DIRECTION-SIGNAL-REAR Automobile  
1948-SERIES-60 REAR-LAMP Automobile  
1948-SERIES-60 STOP-LAMP Automobile  
1948-SERIES-70 DIRECTION-SIGNAL-FRONT Automobile  
1948-SERIES-70 DIRECTION-SIGNAL-REAR Automobile  
1948-SERIES-70 REAR-LAMP Automobile  
1948-SERIES-70 STOP-LAMP Automobile  
1948-SERIES-90 DIRECTION-SIGNAL-FRONT Automobile  
1948-SERIES-90 DIRECTION-SIGNAL-REAR Automobile  
1948-SERIES-90 REAR-LAMP Automobile  
1948-SERIES-90 STOP-LAMP Automobile  
1949-SERIES-76 DIRECTION-SIGNAL-FRONT Automobile  
1949-SERIES-76 DIRECTION-SIGNAL-REAR Automobile  
1949-SERIES-76 REAR-LAMP Automobile  
1949-SERIES-76 STOP-LAMP Automobile  
1949-SERIES-88 DIRECTION-SIGNAL-FRONT Automobile  
1949-SERIES-88 DIRECTION-SIGNAL-REAR Automobile  
1949-SERIES-88 REAR-LAMP Automobile  
1949-SERIES-88 STOP-LAMP Automobile  
1949-SERIES-98 DIRECTION-SIGNAL-FRONT Automobile  
1949-SERIES-98 DIRECTION-SIGNAL-REAR Automobile  
1949-SERIES-98 PARKING-LAMP Automobile  
1949-SERIES-98 REAR-LAMP Automobile  
1949-SERIES-98 STOP-LAMP Automobile



1950-SERIES-76 DIRECTION-SIGNAL-FRONT Automobile  
1950-SERIES-76 DIRECTION-SIGNAL-REAR Automobile  
1950-SERIES-76 REAR-LAMP Automobile  
1950-SERIES-76 STOP-LAMP Automobile  
1950-SERIES-88 DIRECTION-SIGNAL-FRONT Automobile  
1950-SERIES-88 DIRECTION-SIGNAL-REAR Automobile  
1950-SERIES-88 REAR-LAMP Automobile  
1950-SERIES-88 STOP-LAMP Automobile  
1950-SERIES-98 DIRECTION-SIGNAL-FRONT Automobile  
1950-SERIES-98 DIRECTION-SIGNAL-REAR Automobile  
1950-SERIES-98 REAR-LAMP Automobile  
1950-SERIES-98 STOP-LAMP Automobile  
1950-SW-SERIES-76 DIRECTION-SIGNAL-  
FRONT Automobile  
1950-SW-SERIES-88 DIRECTION-SIGNAL-  
FRONT Automobile  
1951-SERIES-88 DIRECTION-SIGNAL-FRONT Automobile  
1951-SERIES-88 DIRECTION-SIGNAL-REAR Automobile  
1951-SERIES-88 REAR-LAMP Automobile  
1951-SERIES-88 STOP-LAMP Automobile  
1951-SERIES-98 DIRECTION-SIGNAL-FRONT Automobile  
1951-SERIES-98 DIRECTION-SIGNAL-REAR Automobile  
1951-SERIES-98 PARKING-LAMP Automobile  
1951-SERIES-98 REAR-LAMP Automobile  
1951-SERIES-98 STOP-LAMP Automobile  
1952-SERIES-88 DIRECTION-SIGNAL-FRONT Automobile  
1952-SERIES-88 DIRECTION-SIGNAL-REAR Automobile  
1952-SERIES-88 REAR-LAMP Automobile  
1952-SERIES-88 STOP-LAMP Automobile  
1952-SERIES-98 DIRECTION-SIGNAL-FRONT Automobile  
1952-SERIES-98 DIRECTION-SIGNAL-REAR Automobile  
1952-SERIES-98 PARKING-LAMP Automobile  
1952-SERIES-98 REAR-LAMP Automobile  
1952-SERIES-98 STOP-LAMP Automobile

**Packard**

1940 DIRECTION-SIGNAL-FRONT Automobile  
1940 DIRECTION-SIGNAL-REAR Automobile  
1940 PARKING-LAMP Automobile

1940 REAR-LAMP Automobile  
1940 STOP-LAMP Automobile  
1941 DIRECTION-SIGNAL-FRONT Automobile  
1941 DIRECTION-SIGNAL-REAR Automobile  
1941 PARKING-LAMP Automobile  
1941 REAR-LAMP Automobile  
1941 STOP-LAMP Automobile  
1942 DIRECTION-SIGNAL-FRONT Automobile  
1942 DIRECTION-SIGNAL-REAR Automobile  
1942 PARKING-LAMP Automobile  
1942 REAR-LAMP Automobile  
1942 STOP-LAMP Automobile  
1946 DIRECTION-SIGNAL-FRONT Automobile  
1946 DIRECTION-SIGNAL-REAR Automobile  
1946 PARKING-LAMP Automobile  
1946 REAR-LAMP Automobile  
1946 STOP-LAMP Automobile  
1947 DIRECTION-SIGNAL-FRONT Automobile  
1947 DIRECTION-SIGNAL-REAR Automobile  
1947 PARKING-LAMP Automobile  
1947 REAR-LAMP Automobile  
1947 STOP-LAMP Automobile  
1948-DELUXE,SUPER,CUSTOM DIRECTION-SIGNAL-  
FRONT Automobile  
1948-DELUXE,SUPER,CUSTOM PARKING-LAMP Automobile  
1948-DELUXE,SUPER,CUSTOM REAR-LAMP Automobile  
1948-DELUXE,SUPER,CUSTOM STOP-LAMP Automobile  
1948-STANDARD DIRECTION-SIGNAL-FRONT Automobile  
1948-STANDARD REAR-LAMP Automobile  
1948-STANDARD STOP-LAMP Automobile  
1949-DELUXE,SUPER,CUSTOM DIRECTION-SIGNAL-  
FRONT Automobile  
1949-DELUXE,SUPER,CUSTOM PARKING-LAMP Automobile  
1949-DELUXE,SUPER,CUSTOM REAR-LAMP Automobile  
1949-DELUXE,SUPER,CUSTOM STOP-LAMP Automobile  
1949-STANDARD DIRECTION-SIGNAL-FRONT Automobile  
1949-STANDARD REAR-LAMP Automobile  
1949-STANDARD STOP-LAMP Automobile

1950-STANDARD,DELUXE,SUPER,CUSTOM DIRECTION-SIGNAL-FRONT Automobile  
1950-STANDARD,DELUXE,SUPER,CUSTOM DIRECTION-SIGNAL-REAR Automobile  
1950-STANDARD,DELUXE,SUPER,CUSTOM PARKING-LAMP Automobile  
1950-STANDARD,DELUXE,SUPER,CUSTOM REAR-LAMP Automobile  
1950-STANDARD,DELUXE,SUPER,CUSTOM STOP-LAMP Automobile  
1950-TAXI REAR-LAMP Automobile  
1950-TAXI STOP-LAMP Automobile  
1951 DIRECTION-SIGNAL-FRONT Automobile  
1951 DIRECTION-SIGNAL-REAR Automobile  
1951 PARKING-LAMP Automobile  
1951 REAR-LAMP Automobile  
1951 STOP-LAMP Automobile  
1952 DIRECTION-SIGNAL-FRONT Automobile  
1952 DIRECTION-SIGNAL-REAR Automobile  
1952 PARKING-LAMP Automobile  
1952 REAR-LAMP Automobile  
1952 STOP-LAMP Automobile  
1953-2601,2611,2631 DIRECTION-SIGNAL-FRONT Automobile  
1953-2601,2611,2631 DIRECTION-SIGNAL-REAR Automobile  
1953-2601,2611,2631 PARKING-LAMP Automobile  
1953-2601,2611,2631 REAR-LAMP Automobile  
1953-2601,2611,2631 STOP-LAMP Automobile  
1953-2602,2606,2626 DIRECTION-SIGNAL-FRONT Automobile  
1953-2602,2606,2626 DIRECTION-SIGNAL-REAR Automobile  
1953-2602,2606,2626 PARKING-LAMP Automobile  
1953-2602,2606,2626 STOP-LAMP Automobile  
1954 DIRECTION-SIGNAL-FRONT Automobile  
1954 DIRECTION-SIGNAL-REAR Automobile  
1954 PARKING-LAMP Automobile  
1954 REAR-LAMP Automobile  
1954 STOP-LAMP Automobile

## **Plymouth**

1951 DIRECTION-SIGNAL-FRONT Automobile  
1951 DIRECTION-SIGNAL-REAR Automobile  
1951 REAR-LAMP Automobile  
1951 STOP-LAMP Automobile  
1952 DIRECTION-SIGNAL-FRONT Automobile  
1952 DIRECTION-SIGNAL-REAR Automobile  
1952 REAR-LAMP Automobile  
1952 STOP-LAMP Automobile  
1953 DIRECTION-SIGNAL-FRONT Automobile  
1953 DIRECTION-SIGNAL-REAR Automobile  
1953 REAR-LAMP Automobile  
1953 STOP-LAMP Automobile  
1954 DIRECTION-SIGNAL-FRONT Automobile  
1954 DIRECTION-SIGNAL-REAR Automobile  
1954 REAR-LAMP Automobile  
1954 STOP-LAMP Automobile  
1955 DIRECTION-SIGNAL-FRONT Automobile  
1955 DIRECTION-SIGNAL-REAR Automobile  
1955 REAR-LAMP Automobile  
1955 STOP-LAMP Automobile

## **Pontiac**

1939 REAR-LAMP Automobile  
1939 STOP-LAMP Automobile  
1940 REAR-LAMP Automobile  
1940 STOP-LAMP Automobile  
1941 REAR-LAMP Automobile  
1941 STOP-LAMP Automobile  
1942 DIRECTION-SIGNAL-FRONT Automobile  
1942 DIRECTION-SIGNAL-REAR Automobile  
1942 REAR-LAMP Automobile  
1942 STOP-LAMP Automobile  
1946 DIRECTION-SIGNAL-FRONT Automobile  
1946 DIRECTION-SIGNAL-REAR Automobile  
1946 REAR-LAMP Automobile  
1946 STOP-LAMP Automobile  
1947 DIRECTION-SIGNAL-FRONT Automobile  
1947 DIRECTION-SIGNAL-REAR Automobile

1947 REAR-LAMP Automobile  
1947 STOP-LAMP Automobile  
1948 DIRECTION-SIGNAL-FRONT Automobile  
1948 DIRECTION-SIGNAL-REAR Automobile  
1948 REAR-LAMP Automobile  
1948 STOP-LAMP Automobile  
1949 DIRECTION-SIGNAL-FRONT Automobile  
1949 DIRECTION-SIGNAL-REAR Automobile  
1949 REAR-LAMP Automobile  
1949 STOP-LAMP Automobile  
1950 DIRECTION-SIGNAL-FRONT Automobile  
1950 DIRECTION-SIGNAL-REAR Automobile  
1950 REAR-LAMP Automobile  
1950 STOP-LAMP Automobile  
1951 DIRECTION-SIGNAL-FRONT Automobile  
1951 DIRECTION-SIGNAL-REAR Automobile  
1951 REAR-LAMP Automobile  
1951 STOP-LAMP Automobile  
1952 DIRECTION-SIGNAL-FRONT Automobile  
1952 DIRECTION-SIGNAL-REAR Automobile  
1952 STOP-LAMP Automobile  
1953-DELUXE DIRECTION-SIGNAL-FRONT Automobile  
1953-DELUXE DIRECTION-SIGNAL-REAR Automobile  
1953-DELUXE REAR-LAMP Automobile  
1953-DELUXE STOP-LAMP Automobile  
1953-SPECIAL DIRECTION-SIGNAL-FRONT Automobile  
1953-SPECIAL DIRECTION-SIGNAL-REAR Automobile  
1953-SPECIAL REAR-LAMP Automobile  
1953-SPECIAL STOP-LAMP Automobile  
1954 DIRECTION-SIGNAL-FRONT Automobile  
1954 DIRECTION-SIGNAL-REAR Automobile  
1954 REAR-LAMP Automobile  
1954 STOP-LAMP Automobile  
**REO**  
1954-6-VOLT STOP-LAMP Automobile / Truck  
1954-6-VOLT TAIL-LAMP Automobile / Truck  
1955-6-VOLT STOP-LAMP Automobile / Truck  
1955-6-VOLT TAIL-LAMP Automobile / Truck

1956-6-VOLT STOP-LAMP Automobile / Truck

1956-6-VOLT TAIL-LAMP Automobile / Truck

**Studebaker**

1951 DIRECTION-SIGNAL-REAR Automobile

1951 REAR-LAMP Automobile

1951 STOP-LAMP Automobile / Truck

1952 DIRECTION-SIGNAL-REAR Automobile

1952 REAR-LAMP Automobile

1952 STOP-LAMP Automobile / Truck

1953-CHAMPION DIRECTION-SIGNAL-REAR Automobile

1953-CHAMPION REAR-LAMP Automobile

1953-CHAMPION STOP-LAMP Automobile

1953-COMMANDER DIRECTION-SIGNAL-REAR Automobile

1953-COMMANDER REAR-LAMP Automobile

1953-COMMANDER STOP-LAMP Automobile

1954 DIRECTION-SIGNAL-REAR Automobile

1954 REAR-LAMP Automobile

1954 STOP-LAMP Automobile / Truck

1955 DIRECTION-SIGNAL-REAR Automobile

1955 REAR-LAMP Automobile

1955 STOP-LAMP Automobile / Truck

**Willys**

1952 DIRECTION-LAMP Automobile / Truck

1952 REAR-LAMP Automobile

1952 STOP-LAMP Automobile / Truck

1952 TAIL-LAMP Automobile / Truck

1953-LARK,ACE,EAGLE REAR-LAMP Automobile

1953-LARK,ACE,EAGLE STOP-LAMP Automobile

1955-PASS-CAR DIRECTION-SIGNAL-REAR Automobile

1955-PASS-CAR REAR-LAMP Automobile

1955-PASS-CAR STOP-LAMP Automobile