

# 1155 is known as: 1155 USA \$6.20

## 1155 USA bulb specifications:

category: **MINIATURE**

volt: **13.5**

amp: **.59**

watt: **7.96**

base: **BA15s** - Single Contact Candelabra Bayonet (or S.C.Bayonet)

glass: **G6**

filament: **C2R**

fil.res.: **22.9** ohm

m.o.l.: **1.44** inches

l.c.l.: **.75** inches

i.lumens: **50.3**

cp: **4**

d.hours: **5000**

notes:

automobile lamp

halogen

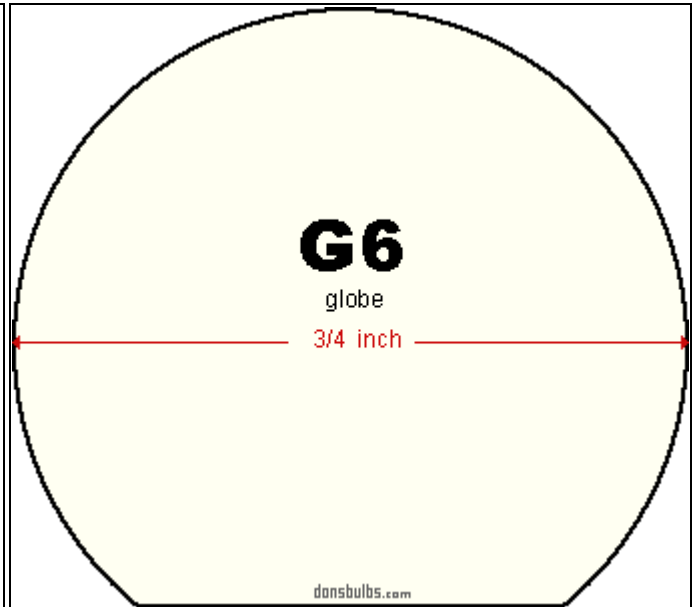
heavy duty

microscope lamp

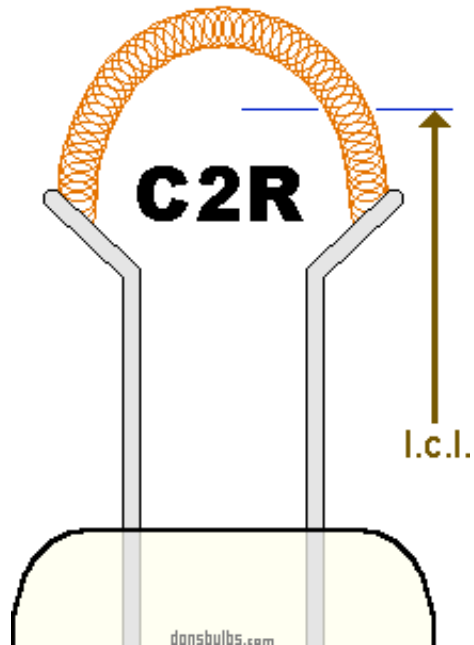
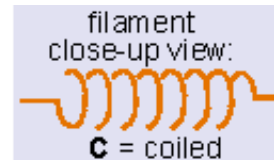
quartz

square filament

uses socket: [DB-BA15S1](#)



typical shape of **G6** glass envelopes (not to scale)



typical shape of **C2R** filament (not to scale)

# BA15s B15s

single contact bayonet  
SC bayonet

single contact candelabra bayonet

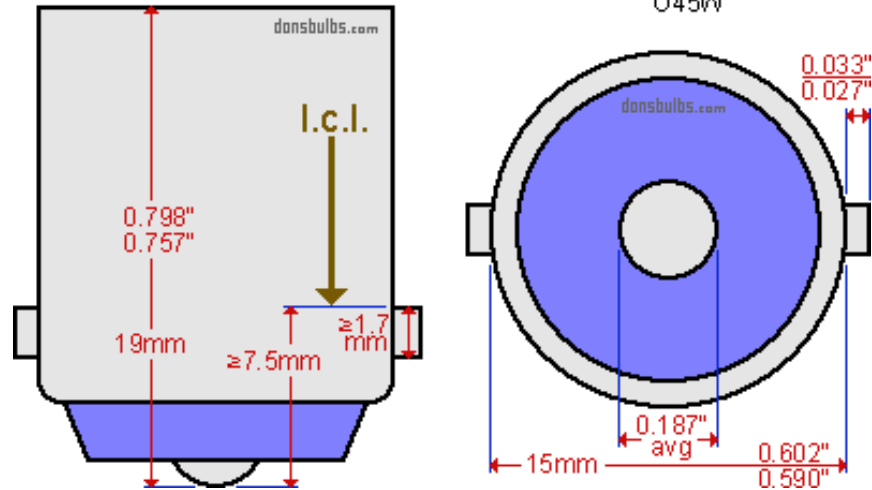
SCC (British single centre contact)

IEC7004-11A9  
DIN49720

IEC7005-13  
DIN49642T6

A18B  
A18C  
A18F  
A18G  
SCC  
SC

E  
E25W  
F  
F15W  
G  
P  
P21W  
R  
R5W  
R10W  
R18W  
R21W  
U  
U45W



industry standards for base: BA15s - Single Contact Candelabra Bayonet (or .C.Bayonet)  
(not to scale)

## 1155 USA

also known as  
Cross-Reference:

- 1155
- 1155 AC/DELCO
- 1155 CHICAGO-MINIATURE
- 1155 EIKO
- 1155 NORMAN
- 1155 USA
- 1155/BLISTER-PACK EIKO
- 1155BLISTER-PACK EIKO
- 6240-00-944-9727
- 1547168 GENERAL-MOTORS
- 031293401236 EIKO
- 031293401885 EIKO
- 031293401892 EIKO
- L1155 AC/DELCO
- MB/11550
- MB11550