

1156 USA

I/12.8V/26.9W/BA15S/S8/CL/1200H

bulb specifications:

category:Incandescent - Miniature Lamp

volt:12.8

amp:2.1

watt:26.9

base:BA15s - Single Contact Candelabra Bayonet (or S.C.Bayonet)

glass:S8

filament:C6

fil.res.:6.1 ohm

m.o.l.:2 inch (50.8MM)

l.c.l.:1.25 inch (31.8MM)

i.lumens:402

cp:32

d.hours:1200

notes:

automobile lamp

clear glass

emergency vehical lamp

flashing signal lamp

incandescent lamp

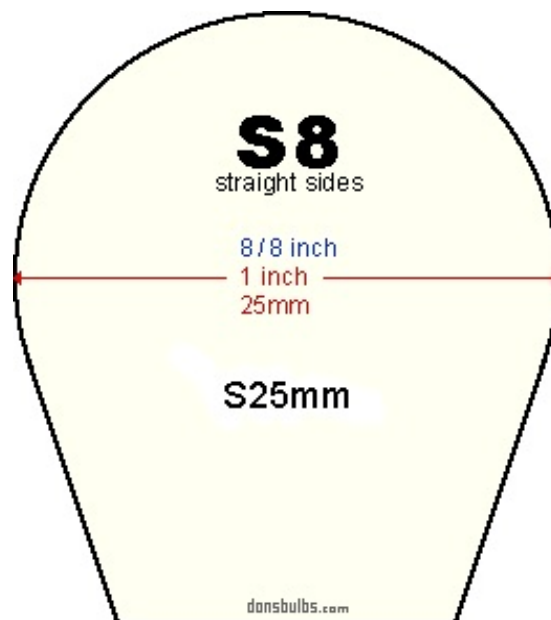
motorcycle lamp

specs verified against ANSI-SR25D1997


stop light lamp

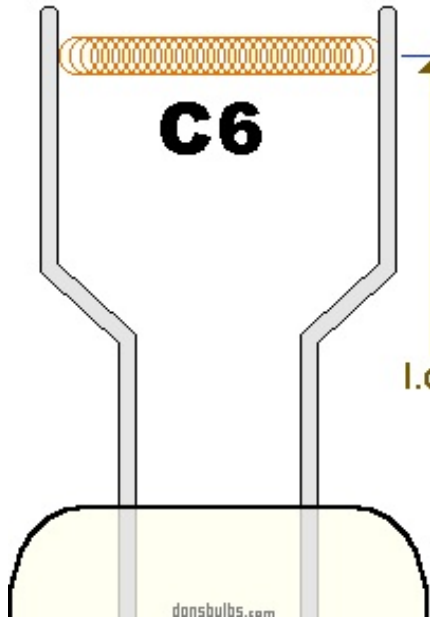
turn signal lamp

uses socket:DB-BA15S1



typical shape of S8 glass envelopes
(not to scale)

filament
close-up view:

C = coiled



typical shape of C6 filament
(not to scale)

BA15s B15s

single contact bayonet
SC bayonet

single contact candelabra bayonet

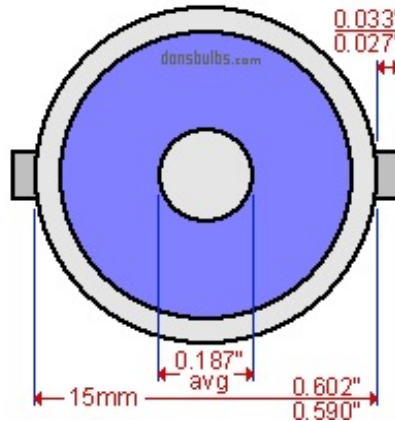
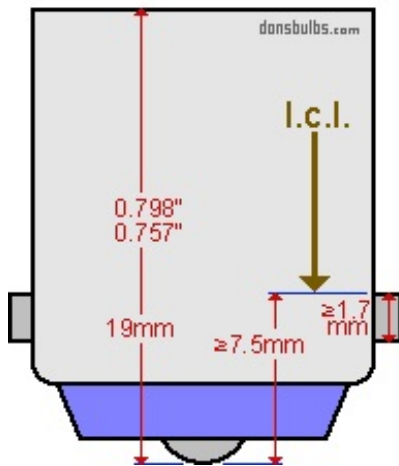
SCC (British single centre contact)

IEC7004-11A9
DIN49720

IEC7005-13
DIN49642T6

E
E25W
F
F15W
G
P
P21W
R
R5W
R10W
R18W
R21W
U
U45W

A18B
A18C
A18F
A18G
SCC
SC



industry standards for base:
BA15s - Single Contact
Candelabra Bayonet (or
S.C.Bayonet)
(not to scale)