

1157 is known as: 1157-USA www.donsbulbs.com

1157-USA bulb specifications:

category: **Miniature**

volt: **12.8 / 14**

amp: **2.11 / .571**

watt: **27 / 8**

base: **BAY15d** - Double Contact Index Bayonet

glass: **S8**

filament: **C6/C6**

fil.res.: **6.07 / 24.5** ohm

m.o.l.: **2** inches

l.c.l.: **1.25** inches

i.lumens: **402 / 37.7**

cp: **32 / 3**

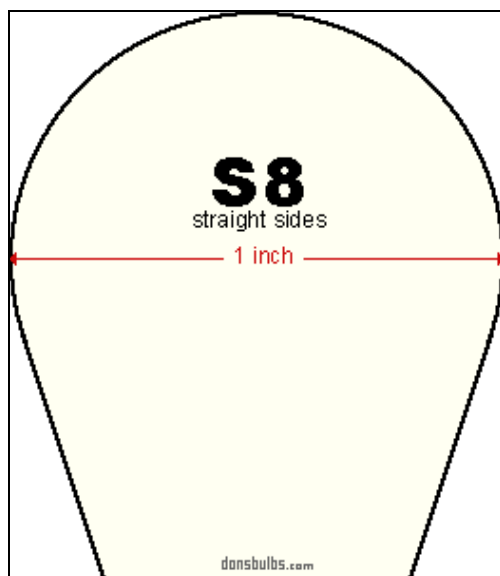
d.hours: **600 / 5000**

notes:

Automotive Lamp

stop lamp

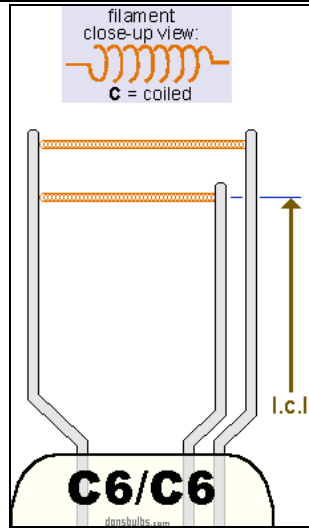
tail lamp



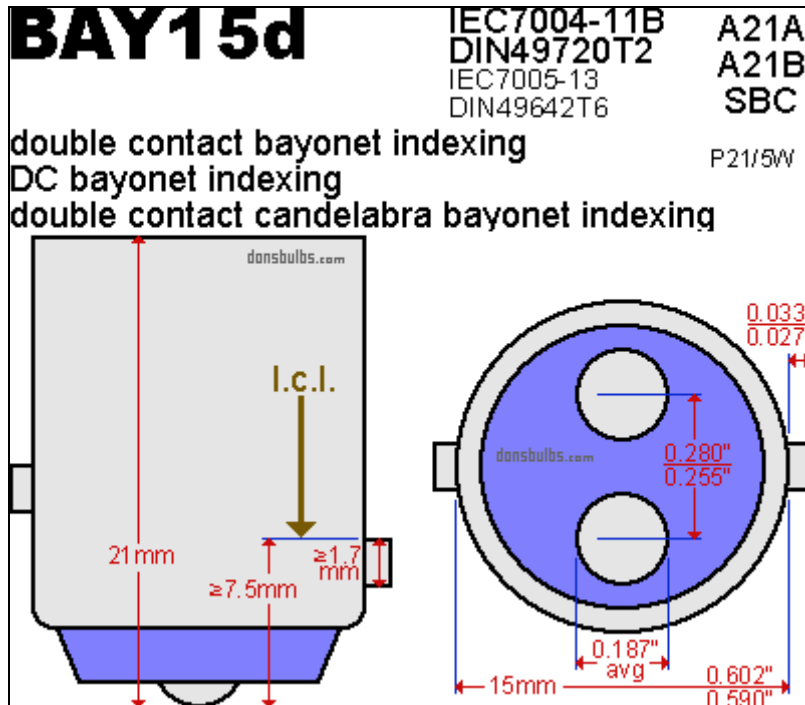
usual shape of **S8** glass envelopes (not to scale)

1157-USA also known as Cross-Reference:

1157-USA
031293401946
031293401946-EIKO
031293401953
031293401953-EIKO
031293401960
031293401960-EIKO
1034-FOCAS
1157
1157-BMC
1157-BP
1157-BP-EIKO
1157-BULK
1157-BULK-EIKO
1157-CEC
1157-COOPER
1157-EIKO
1157-FEIT
1157-FOCUS
1157-FORD
1157-GE
1157-GMH
1157-LUCAS
1157-LUGON
1157-WAGNER
1157GE
12.8-027-13DF
18619
22847-8
29656-6
32W/3CP
36561
4828
4828-STANLEY



typical shape of C6/C6 filament (not to scale)



industry standards for base:

BAY15d - Double Contact Index Bayonet (not to scale)

- 4829
- 4829-STANLEY
- 6240-00-889-1799
- 6240008891799
- 8000422
- A4829A
- AB3208
- ABS
- ABS-GE
- AGI-3619
- AGI-AS888
- AS-3818
- AS-3818-AIDLITE
- AS3818
- AS3818-AIDLITE
- AS4808
- AS4901
- AS4902
- AS4903
- AS4904
- CM1157
- FOCAS-1034
- FOCUS-1157
- GE1157
- LA-014
- LA-014-LIL-AUTO-STORE
- MB-11570
- MB11570
- STANLEY-4828
- STANLEY-4829
- T1157