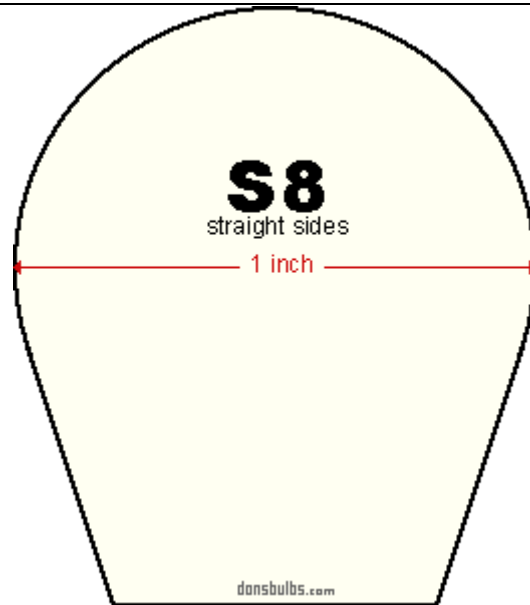


1157/NA AMBER USA



typical shape of **S8** glass envelopes (not to scale)

Bulb Specifications:

category: **MINIATURE**

volt: **12.8 / 14**

amp: **2.1 / .59**

watt: **26.9 / 8.26**

base: **BAY15d** - Double Contact
Index Bayonet

glass: **S8**

filament: **C6/C6**

fil.res.: **6.1 / 23.7 ohm**

m.o.l.: **2 inches**

l.c.l.: **1.25 inches**

i.lumens: **137**

cp: **11**

d.hours: **1200 / 5000**

notes:

automobile lamp

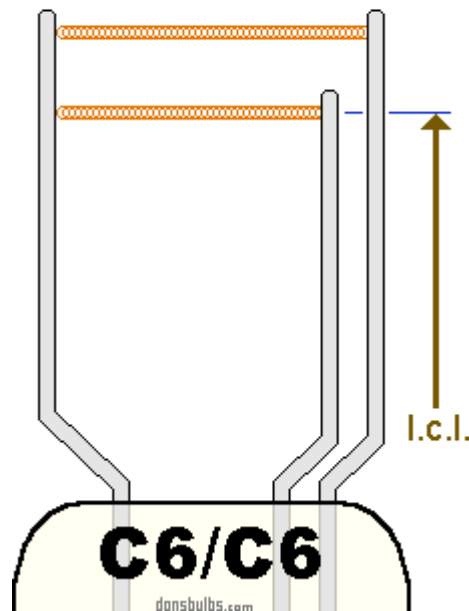
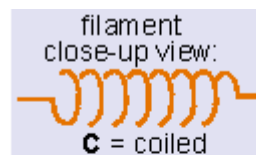
glass color is: transparent amber
incandescent

MIGHT ALSO USE: 1034A USA

stop lamp

tail lamp

glass color is: **natural amber**



typical shape of **C6/C6** filament (not to scale)

BAY15d

IEC7004-11B
DIN49720T2
IEC7005-13
DIN49642T6

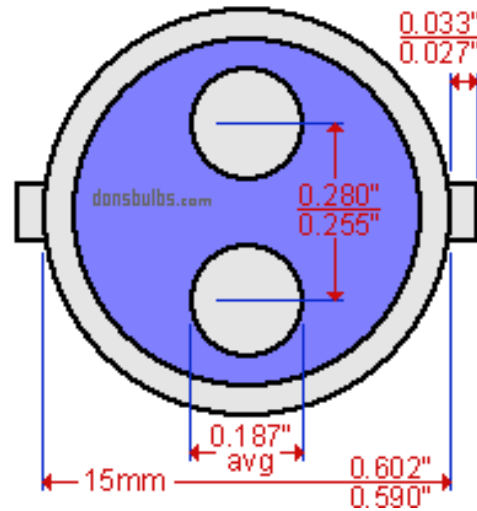
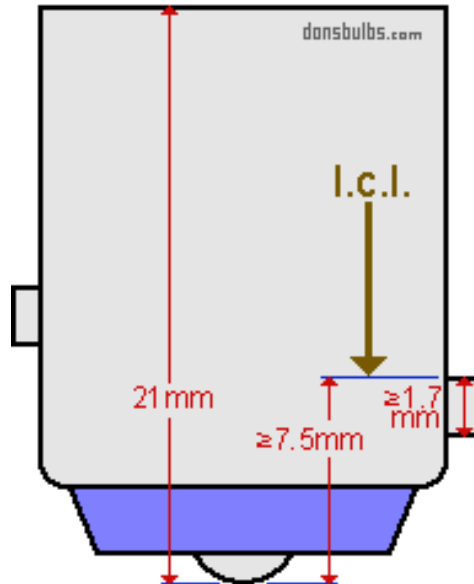
A21A
A21B
SBC

double contact bayonet indexing

P21/5W

DC bayonet indexing

double contact candelabra bayonet indexing



industry standards for base: **BAY15d** - Double Contact Index Bayonet (not to scale)