

**1158** is known as: **1158 USA** \$6.20

**1158 USA** bulb specifications:

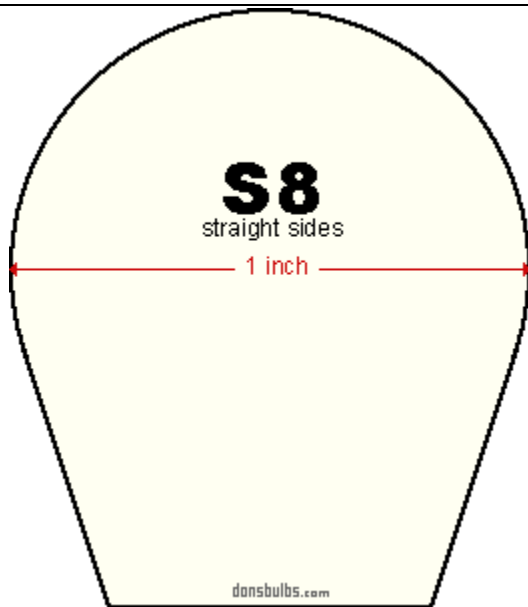
category: **MINIATURE**  
voltage: **6.4 / 7**  
amp: **2.63 / .75**  
watt: **16.8 / 5.25**  
base: **BA15d** - Double Contact Candelabra Bayonet (or D.C.Bayonet)  
glass: **S8**  
filament: **C6/C6**  
fil.res.: **2.43 / 9.33** ohm  
m.o.l.: **2** inches  
l.c.l.: **1.25** inches  
burn pos: burn lamp in **ANY** position  
i.lumens: **264 / 37.7**  
cp: **21 / 3**  
d.hours: **200 / 1000**

notes:

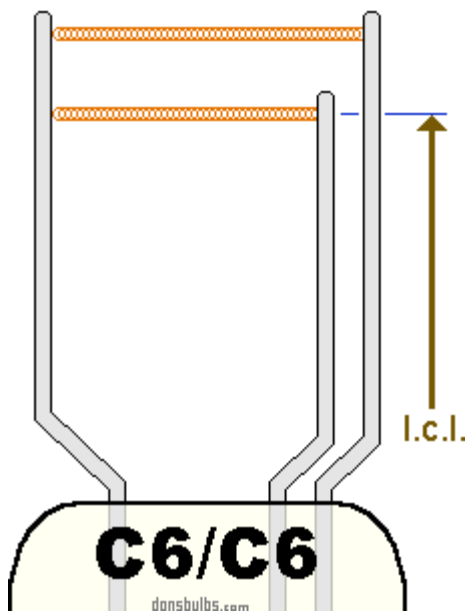
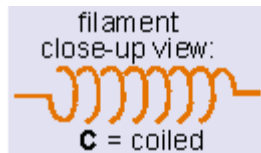
automobile lamp  
clear glass  
incandescent  
stop lamp  
tail lamp  
uses socket: [DB-BA15D1](#)

**1158 USA** also known as  
**Cross-Reference:**

6.4-16.8-03DF CANIMPEX  
1007 TUNGSRAM  
1082 TUNGSRAM  
1088 TUNGSRAM  
2350 TRIFA  
2715 OSRAM  
2718 FOCUS  
2722 FOCUS  
3350 TRIFA  
4713 STANLEY  
7540 LUCAS  
7540 OSRAM  
15584-13  
15584-13-MILITARY-STANDARD  
33350  
625610U MICROLAMP  
1550952 GENERAL-MOTORS  
031293402028 EIKO  
031293421661 EIKO  
AB/3101  
AB3101  
AGI/3511  
AGI/3512  
AGI/AS/847  
AGI/AS847  
AGI3511  
AGI3512  
AS/3711 AIDLITE  
AS/3712 AIDLITE  
AS/4701  
AS/4702  
AS3711 AIDLITE  
AS3712 AIDLITE  
AS4701  
AS4702  
L1158 AC/DELCO  
V/7540  
V7540



typical shape of S8 glass envelopes (not to scale)



typical shape of C6/C6 filament (not to scale)

**1158 USA**

have been found in equipment:

**Anglia**

- PRE-1958 LICENSE-PLATE-LAMP Automobile
- PRE-1958 REAR-LAMP Automobile
- PRE-1958 STOP-LAMP Automobile

**Autocar**

- 1942-6-VOLT-CABOVER-ENGINE STOP-LAMP Automobile / Truck
- 1942-6-VOLT-CABOVER-ENGINE TAIL-LAMP Automobile / Truck
- 1946-6-VOLT DIRECTION-LAMP Automobile / Truck
- 1946-6-VOLT STOP-LAMP Automobile / Truck
- 1946-6-VOLT TAIL-LAMP Automobile / Truck
- 1947-6-VOLT DIRECTION-LAMP Automobile / Truck

- 1947-6-VOLT STOP-LAMP Automobile / Truck
- 1947-6-VOLT TAIL-LAMP Automobile / Truck
- 1948-6-VOLT DIRECTION-LAMP Automobile / Truck

- 1948-6-VOLT STOP-LAMP Automobile / Truck
- 1948-6-VOLT TAIL-LAMP Automobile / Truck
- 1949-6-VOLT DIRECTION-LAMP Automobile / Truck

- 1949-6-VOLT STOP-LAMP Automobile / Truck
- 1949-6-VOLT TAIL-LAMP Automobile / Truck
- 1950-6-VOLT DIRECTION-LAMP Automobile / Truck

- 1950-6-VOLT STOP-LAMP Automobile / Truck
- 1950-6-VOLT TAIL-LAMP Automobile / Truck
- 1952-GAS-6-VOLT STOP-LAMP Automobile / Truck

- 1952-GAS-6-VOLT TAIL-LAMP Automobile / Truck
- Available**
- 1956-6-VOLT STOP-LAMP Automobile / Truck
- 1956-6-VOLT TAIL-LAMP Automobile / Truck

**Brockway**

- 1951-6-VOLT STOP-LAMP Automobile / Truck
- 1951-6-VOLT TAIL-LAMP Automobile / Truck
- 1952-6-VOLT STOP-LAMP Automobile / Truck
- 1952-6-VOLT TAIL-LAMP Automobile / Truck
- 1953-6-VOLT STOP-LAMP Automobile / Truck
- 1953-6-VOLT TAIL-LAMP Automobile / Truck
- 1954-6-VOLT STOP-LAMP Automobile / Truck
- 1954-6-VOLT TAIL-LAMP Automobile / Truck
- 1955-6-VOLT STOP-LAMP Automobile / Truck
- 1955-6-VOLT TAIL-LAMP Automobile / Truck
- 1956-6-VOLT STOP-LAMP Automobile / Truck
- 1956-6-VOLT TAIL-LAMP Automobile / Truck
- 1957-6-VOLT STOP-LAMP Automobile / Truck
- 1957-6-VOLT TAIL-LAMP Automobile / Truck

**Checker Cab**

- 1948 STOP-LAMP Automobile / Truck
- 1948 TAIL-LAMP Automobile / Truck
- 1953 DIRECTION-LAMP Automobile / Truck

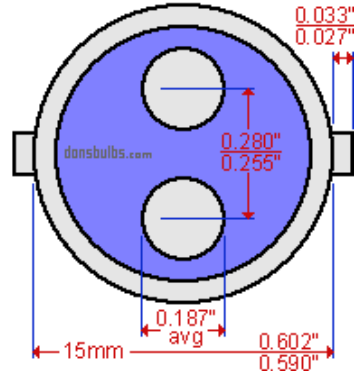
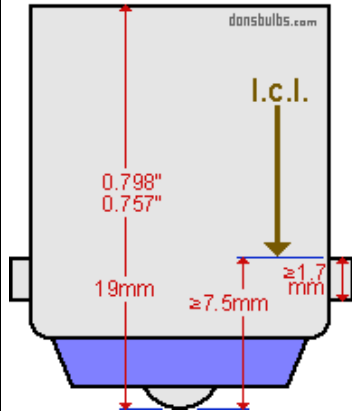
Truck front:1158,rear:1154

# BA15d

double contact bayonet  
DC bayonet  
double contact candelabra bayonet  
SBC (British small bayonet cap)

IEC7004-11  
DIN49721  
IEC7005-13  
DIN49642T6

A19A  
A19B  
A19C  
A19D  
B15d  
SBC  
DC  
BD



industry standards for base:

**BA15d - Double Contact Candelabra Bayonet (or D.C.Bayonet) (not to scale)**

1953 PARKING-LAMP Automobile / Truck  
Chrysler

- 1937 REAR-LAMP Automobile
- 1937 STOP-LAMP Automobile
- 1938 REAR-LAMP Automobile
- 1938 STOP-LAMP Automobile
- 1939 REAR-LAMP Automobile
- 1939 STOP-LAMP Automobile
- 1940 REAR-LAMP Automobile
- 1940 STOP-LAMP Automobile
- 1941 PARKING-LAMP Automobile
- 1941 REAR-LAMP Automobile
- 1942 DIRECTION-SIGNAL-FRONT Automobile
- 1942 DIRECTION-SIGNAL-REAR Automobile
- 1942 REAR-LAMP Automobile
- 1946 DIRECTION-SIGNAL-FRONT Automobile
- 1946 DIRECTION-SIGNAL-REAR Automobile
- 1947 DIRECTION-SIGNAL-FRONT Automobile
- 1947 DIRECTION-SIGNAL-REAR Automobile
- 1948 DIRECTION-SIGNAL-FRONT Automobile
- 1948 DIRECTION-SIGNAL-REAR Automobile
- 1949 DIRECTION-SIGNAL-FRONT Automobile
- 1949 DIRECTION-SIGNAL-REAR Automobile
- 1949 PARKING-LAMP Automobile
- 1949 REAR-LAMP Automobile
- 1950 DIRECTION-SIGNAL-FRONT Automobile
- 1950 DIRECTION-SIGNAL-REAR Automobile
- 1950 PARKING-LAMP Automobile
- 1950 REAR-LAMP Automobile

### Crosley

- 1940 REAR-LAMP Automobile
- 1940 STOP-LAMP Automobile
- 1948 REAR-LAMP Automobile
- 1948 STOP-LAMP Automobile
- 1949-STATION-WAGON REAR-LAMP Automobile
- 1949-STATION-WAGON STOP-LAMP Automobile

### Desoto

- 1937 REAR-LAMP Automobile
- 1937 STOP-LAMP Automobile
- 1938 REAR-LAMP Automobile
- 1938 STOP-LAMP Automobile
- 1940 REAR-LAMP Automobile
- 1940 STOP-LAMP Automobile
- 1942 DIRECTION-SIGNAL-FRONT Automobile
- 1942 DIRECTION-SIGNAL-REAR Automobile
- 1946 DIRECTION-SIGNAL-FRONT Automobile
- 1946 DIRECTION-SIGNAL-REAR Automobile
- 1947 DIRECTION-SIGNAL-FRONT Automobile
- 1947 DIRECTION-SIGNAL-REAR Automobile
- 1948 DIRECTION-SIGNAL-FRONT Automobile
- 1948 DIRECTION-SIGNAL-REAR Automobile
- 1949 DIRECTION-SIGNAL-FRONT Automobile
- 1949 DIRECTION-SIGNAL-REAR Automobile
- 1949 PARKING-LAMP Automobile
- 1949 REAR-LAMP Automobile
- 1950 DIRECTION-SIGNAL-FRONT Automobile

1950 DIRECTION-SIGNAL-REAR Automobile  
1950 PARKING-LAMP Automobile  
1950 REAR-LAMP Automobile

**Diamond T**

1944-6-VOLT STOP-LAMP Automobile / Truck  
1944-6-VOLT TAIL-LAMP Automobile / Truck  
1945-6-VOLT STOP-LAMP Automobile / Truck  
1945-6-VOLT TAIL-LAMP Automobile / Truck  
1946-6-VOLT STOP-LAMP Automobile / Truck  
1946-6-VOLT TAIL-LAMP Automobile / Truck  
1947-6-VOLT STOP-LAMP Automobile / Truck  
1947-6-VOLT TAIL-LAMP Automobile / Truck  
1948-6-VOLT STOP-LAMP Automobile / Truck  
1948-6-VOLT TAIL-LAMP Automobile / Truck  
1949-6-VOLT STOP-LAMP Automobile / Truck  
1949-6-VOLT TAIL-LAMP Automobile / Truck  
1950-6-VOLT STOP-LAMP Automobile / Truck  
1950-6-VOLT TAIL-LAMP Automobile / Truck  
1951-6-VOLT STOP-LAMP Automobile / Truck  
1951-6-VOLT TAIL-LAMP Automobile / Truck  
1952-6-VOLT STOP-LAMP Automobile / Truck  
1952-6-VOLT TAIL-LAMP Automobile / Truck  
1953-6-VOLT STOP-LAMP Automobile / Truck  
1953-6-VOLT TAIL-LAMP Automobile / Truck  
1954-6-VOLT STOP-LAMP Automobile / Truck  
1954-6-VOLT TAIL-LAMP Automobile / Truck  
1955-6-VOLT STOP-LAMP Automobile / Truck  
1955-6-VOLT TAIL-LAMP Automobile / Truck  
1956-6-VOLT STOP-LAMP Automobile / Truck  
1956-6-VOLT TAIL-LAMP Automobile / Truck  
1957-6-VOLT STOP-LAMP Automobile / Truck  
1957-6-VOLT TAIL-LAMP Automobile / Truck

**Divco**

1954 DIRECTION-LAMP Automobile / Truck  
1954 STOP-LAMP Automobile / Truck  
1954 TAIL-LAMP Automobile / Truck

**Dodge**

1936 REAR-LAMP Automobile  
1936 STOP-LAMP Automobile  
1938 REAR-LAMP Automobile  
1938 STOP-LAMP Automobile  
1939 REAR-LAMP Automobile  
1939 STOP-LAMP Automobile  
1940 REAR-LAMP Automobile  
1940 STOP-LAMP Automobile  
1941 STOP-LAMP Automobile / Truck  
1941 TAIL-LAMP Automobile / Truck  
1942 DIRECTION-SIGNAL-FRONT Automobile  
1942 DIRECTION-SIGNAL-REAR Automobile  
1942 STOP-LAMP Automobile / Truck  
1942 TAIL-LAMP Automobile / Truck  
1946 DIRECTION-SIGNAL-FRONT Automobile  
1946 DIRECTION-SIGNAL-REAR Automobile  
1946 STOP-LAMP Automobile / Truck  
1946 TAIL-LAMP Automobile / Truck  
1947 DIRECTION-SIGNAL-FRONT Automobile  
1947 DIRECTION-SIGNAL-REAR Automobile  
1947 STOP-LAMP Automobile / Truck

1947 TAIL-LAMP Automobile / Truck  
1948 DIRECTION-SIGNAL-FRONT Automobile  
1948 DIRECTION-SIGNAL-REAR Automobile  
1948 STOP-LAMP Automobile / Truck  
1948 TAIL-LAMP Automobile / Truck  
1949 DIRECTION-SIGNAL-FRONT Automobile  
1949 DIRECTION-SIGNAL-REAR Automobile  
1949 STOP-LAMP Automobile / Truck  
1949 TAIL-LAMP Automobile / Truck  
1950 DIRECTION-SIGNAL-FRONT Automobile  
1950 DIRECTION-SIGNAL-REAR Automobile  
1950 STOP-LAMP Automobile / Truck  
1950 TAIL-LAMP Automobile / Truck  
1951 STOP-LAMP Automobile / Truck  
1951 TAIL-LAMP Automobile / Truck  
1952 DIRECTION-LAMP Automobile /

Truck front:1158,rear:1129

1952 STOP-LAMP Automobile / Truck  
1952 TAIL-LAMP Automobile / Truck  
1953 DIRECTION-LAMP Automobile / Truck  
1953 PARKING-LAMP Automobile / Truck

**Duplex**

1942-MODEL-T STOP-LAMP Automobile / Truck  
1942-MODEL-T TAIL-LAMP Automobile / Truck  
1946-6-VOLT STOP-LAMP Automobile / Truck  
1946-6-VOLT TAIL-LAMP Automobile / Truck  
1947-6-VOLT STOP-LAMP Automobile / Truck  
1947-6-VOLT TAIL-LAMP Automobile / Truck  
1948-6-VOLT STOP-LAMP Automobile / Truck  
1948-6-VOLT TAIL-LAMP Automobile / Truck  
1949-6-VOLT STOP-LAMP Automobile / Truck  
1949-6-VOLT TAIL-LAMP Automobile / Truck  
1950-6-VOLT STOP-LAMP Automobile / Truck  
1950-6-VOLT TAIL-LAMP Automobile / Truck  
1951-6-VOLT STOP-LAMP Automobile / Truck  
1951-6-VOLT TAIL-LAMP Automobile / Truck  
1952-6-VOLT STOP-LAMP Automobile / Truck  
1952-6-VOLT TAIL-LAMP Automobile / Truck  
1953-6-VOLT STOP-LAMP Automobile / Truck  
1953-6-VOLT TAIL-LAMP Automobile / Truck  
1954-6-VOLT STOP-LAMP Automobile / Truck  
1954-6-VOLT TAIL-LAMP Automobile / Truck  
1955-6-VOLT STOP-LAMP Automobile / Truck  
1955-6-VOLT TAIL-LAMP Automobile / Truck

**Federal Manufacturing Engineering Corporation**

1942-6-VOLT STOP-LAMP Automobile / Truck  
1942-6-VOLT TAIL-LAMP Automobile / Truck  
1944-6-VOLT STOP-LAMP Automobile / Truck  
1944-6-VOLT TAIL-LAMP Automobile / Truck  
1945-6-VOLT STOP-LAMP Automobile / Truck  
1945-6-VOLT TAIL-LAMP Automobile / Truck  
1946-6-VOLT STOP-LAMP Automobile / Truck  
1946-6-VOLT TAIL-LAMP Automobile / Truck  
1947-6-VOLT STOP-LAMP Automobile / Truck  
1947-6-VOLT TAIL-LAMP Automobile / Truck  
1948-6-VOLT STOP-LAMP Automobile / Truck  
1948-6-VOLT TAIL-LAMP Automobile / Truck  
1949-6-VOLT STOP-LAMP Automobile / Truck

1949-6-VOLT TAIL-LAMP Automobile / Truck  
 1950-6-VOLT STOP-LAMP Automobile / Truck  
 1950-6-VOLT TAIL-LAMP Automobile / Truck  
 1951-6-VOLT-STYLELINERS STOP-LAMP Automobile / Truck  
 1951-6-VOLT-STYLELINERS TAIL-LAMP Automobile / Truck  
 1951-6-VOLT STOP-LAMP Automobile / Truck  
 1951-6-VOLT TAIL-LAMP Automobile / Truck  
 1952-6-VOLT-STYLELINERS STOP-LAMP Automobile / Truck  
 1952-6-VOLT-STYLELINERS TAIL-LAMP Automobile / Truck  
 1952-6-VOLT STOP-LAMP Automobile / Truck  
 1952-6-VOLT TAIL-LAMP Automobile / Truck  
 1953-6-VOLT-STYLELINERS STOP-LAMP Automobile / Truck  
 1953-6-VOLT-STYLELINERS TAIL-LAMP Automobile / Truck  
 1953-6-VOLT STOP-LAMP Automobile / Truck  
 1953-6-VOLT TAIL-LAMP Automobile / Truck  
 1954-6-VOLT-STYLELINERS STOP-LAMP Automobile / Truck  
 1954-6-VOLT-STYLELINERS TAIL-LAMP Automobile / Truck  
 1954-6-VOLT STOP-LAMP Automobile / Truck  
 1954-6-VOLT TAIL-LAMP Automobile / Truck  
 1955-6-VOLT-STYLELINERS STOP-LAMP Automobile / Truck  
 1955-6-VOLT-STYLELINERS TAIL-LAMP Automobile / Truck  
 1955-6-VOLT STOP-LAMP Automobile / Truck  
 1955-6-VOLT TAIL-LAMP Automobile / Truck

**Ford**

1937 REAR-LAMP Automobile  
 1937 STOP-LAMP Automobile  
 1938 REAR-LAMP Automobile  
 1938 STOP-LAMP Automobile  
 1939 REAR-LAMP Automobile  
 1939 STOP-LAMP Automobile  
 1940 REAR-LAMP Automobile  
 1940 STOP-LAMP Automobile / Truck

**Frazer**

1949 DIRECTION-SIGNAL-FRONT Automobile  
 1949 PARKING-LAMP Automobile  
 1949 REAR-LAMP Automobile  
 1949 STOP-LAMP Automobile  
 1951 DIRECTION-SIGNAL-FRONT Automobile  
 1951 DIRECTION-SIGNAL-REAR Automobile  
 1951 REAR-LAMP Automobile  
 1951 STOP-LAMP Automobile

**FWD**

1950-6-VOLT STOP-LAMP Automobile / Truck  
 1950-6-VOLT TAIL-LAMP Automobile / Truck  
 1951-6-VOLT STOP-LAMP Automobile / Truck  
 1951-6-VOLT TAIL-LAMP Automobile / Truck  
 1952-6-VOLT STOP-LAMP Automobile / Truck  
 1952-6-VOLT TAIL-LAMP Automobile / Truck

1953-6-VOLT STOP-LAMP Automobile / Truck  
1953-6-VOLT TAIL-LAMP Automobile / Truck  
1954-6-VOLT STOP-LAMP Automobile / Truck  
1954-6-VOLT TAIL-LAMP Automobile / Truck

**GMC**

1954-6-VOLT DIRECTION-LAMP Automobile / Truck

**Graham**

1938 REAR-LAMP Automobile  
1938 STOP-LAMP Automobile  
1939 REAR-LAMP Automobile  
1939 STOP-LAMP Automobile  
1940 REAR-LAMP Automobile  
1940 STOP-LAMP Automobile  
1941 REAR-LAMP Automobile  
1941 STOP-LAMP Automobile

**Hendrickson**

1951-6-VOLT DIRECTION-LAMP Automobile / Truck

1952-6-VOLT DIRECTION-LAMP Automobile / Truck

1953-6-VOLT DIRECTION-LAMP Automobile / Truck

1954-6-VOLT DIRECTION-LAMP Automobile / Truck

1955-6-VOLT DIRECTION-LAMP Automobile / Truck

1956-6-VOLT DIRECTION-LAMP Automobile / Truck

**Henry J**

1951 DIRECTION-SIGNAL-FRONT Automobile  
1951 DIRECTION-SIGNAL-REAR Automobile  
1951 REAR-LAMP Automobile  
1951 STOP-LAMP Automobile

**Hudson**

1937 REAR-LAMP Automobile  
1937 STOP-LAMP Automobile  
1938 REAR-LAMP Automobile  
1938 STOP-LAMP Automobile  
1939 REAR-LAMP Automobile  
1939 STOP-LAMP Automobile  
1946 DIRECTION-SIGNAL-FRONT Automobile  
1947 DIRECTION-SIGNAL-FRONT Automobile

**Hupmobile**

1938 REAR-LAMP Automobile  
1938 STOP-LAMP Automobile  
1939 REAR-LAMP Automobile  
1939 STOP-LAMP Automobile  
1940 REAR-LAMP Automobile  
1940 STOP-LAMP Automobile  
1941 REAR-LAMP Automobile  
1941 STOP-LAMP Automobile

**International**

1942-6-VOLT STOP-LAMP Automobile / Truck  
1942-6-VOLT TAIL-LAMP Automobile / Truck  
1946-6-VOLT STOP-LAMP Automobile / Truck  
1946-6-VOLT TAIL-LAMP Automobile / Truck  
1947-6-VOLT STOP-LAMP Automobile / Truck

1947-6-VOLT TAIL-LAMP Automobile / Truck  
 1948-6-VOLT STOP-LAMP Automobile / Truck  
 1948-6-VOLT TAIL-LAMP Automobile / Truck  
 1949-6-VOLT STOP-LAMP Automobile / Truck  
 1949-6-VOLT TAIL-LAMP Automobile / Truck  
 1950-6-VOLT STOP-LAMP Automobile / Truck  
 1950-6-VOLT TAIL-LAMP Automobile / Truck  
 1951-6-VOLT STOP-LAMP Automobile / Truck  
 1951-6-VOLT TAIL-LAMP Automobile / Truck  
 1952-6-VOLT STOP-LAMP Automobile / Truck  
 1952-6-VOLT TAIL-LAMP Automobile / Truck  
 1953-6-VOLT STOP-LAMP Automobile / Truck  
 1953-6-VOLT TAIL-LAMP Automobile / Truck  
 1953-RM-120,150,RB-140 STOP-LAMP Automobile / Truck  
 1953-RM-120,150,RB-140 TAIL-LAMP Automobile / Truck  
 1953-RM120,150,RB140 STOP-LAMP Automobile / Truck  
 1953-RM120,150,RB140 TAIL-LAMP Automobile / Truck  
 1954-6-VOLT STOP-LAMP Automobile / Truck  
 1954-6-VOLT TAIL-LAMP Automobile / Truck  
**Kaiser**  
 1949 DIRECTION-SIGNAL-FRONT Automobile  
 1949 DIRECTION-SIGNAL-REAR Automobile  
 1949 REAR-LAMP Automobile  
 1949 STOP-LAMP Automobile  
 1951 DIRECTION-SIGNAL-FRONT Automobile  
 1951 DIRECTION-SIGNAL-REAR Automobile  
 1951 REAR-LAMP Automobile  
 1951 STOP-LAMP Automobile  
 1953 DIRECTION-SIGNAL-REAR Automobile  
 1953 REAR-LAMP Automobile  
 1953 STOP-LAMP Automobile  
 1954 DIRECTION-SIGNAL-REAR Automobile  
 1954 REAR-LAMP Automobile  
 1954 STOP-LAMP Automobile  
 1955 DIRECTION-SIGNAL-REAR Automobile  
 1955 STOP-LAMP Automobile  
**Lincoln Zephyr**  
 1936 REAR-LAMP Automobile  
 1936 STOP-LAMP Automobile  
 1938 REAR-LAMP Automobile  
 1938 STOP-LAMP Automobile  
 1939 REAR-LAMP Automobile  
 1939 STOP-LAMP Automobile  
 1940 REAR-LAMP Automobile  
 1940 STOP-LAMP Automobile  
 1941-CONTINENTAL DIRECTION-SIGNAL-REAR Automobile  
 1941-CONTINENTAL REAR-LAMP Automobile  
**Mack**  
 1942-6-VOLT STOP-LAMP Automobile / Truck  
 1942-6-VOLT TAIL-LAMP Automobile / Truck  
 1946-6-VOLT STOP-LAMP Automobile / Truck  
 1946-6-VOLT TAIL-LAMP Automobile / Truck  
 1947-6-VOLT STOP-LAMP Automobile / Truck



1947-6-VOLT TAIL-LAMP Automobile / Truck  
**Mercury**  
1939 REAR-LAMP Automobile  
1939 STOP-LAMP Automobile  
1940 REAR-LAMP Automobile  
1940 STOP-LAMP Automobile  
**Nash**  
1937 REAR-LAMP Automobile  
1937 STOP-LAMP Automobile  
1938 REAR-LAMP Automobile  
1938 STOP-LAMP Automobile  
1939 REAR-LAMP Automobile  
1939 STOP-LAMP Automobile  
1941 REAR-LAMP Automobile  
1941 STOP-LAMP Automobile  
1946 DIRECTION-SIGNAL-FRONT Automobile  
1946 DIRECTION-SIGNAL-REAR Automobile  
1947 DIRECTION-SIGNAL-FRONT Automobile  
1947 DIRECTION-SIGNAL-REAR Automobile  
1948 DIRECTION-SIGNAL-FRONT Automobile  
1948 DIRECTION-SIGNAL-REAR Automobile  
1949 REAR-LAMP Automobile  
1949 STOP-LAMP Automobile  
1950 REAR-LAMP Automobile  
1950 STOP-LAMP Automobile  
1952 DIRECTION-SIGNAL-FRONT Automobile  
1952 PARKING-LAMP Automobile  
**Packard**  
1939-6,120,SUPER-8 REAR-LAMP Automobile  
1939-6,120,SUPER-8 STOP-LAMP Automobile  
1939-6,120,SUPER8 REAR-LAMP Automobile  
1939-6,120,SUPER8 STOP-LAMP Automobile  
**Plymouth**  
1936 REAR-LAMP Automobile  
1936 STOP-LAMP Automobile  
1937 REAR-LAMP Automobile  
1937 STOP-LAMP Automobile  
1938 REAR-LAMP Automobile  
1938 STOP-LAMP Automobile  
1939 REAR-LAMP Automobile  
1939 STOP-LAMP Automobile  
1940 REAR-LAMP Automobile  
1940 STOP-LAMP Automobile  
1942 DIRECTION-SIGNAL-FRONT Automobile  
1942 DIRECTION-SIGNAL-REAR Automobile  
1946 DIRECTION-SIGNAL-FRONT Automobile  
1946 DIRECTION-SIGNAL-REAR Automobile  
1947 DIRECTION-SIGNAL-FRONT Automobile  
1947 DIRECTION-SIGNAL-REAR Automobile  
1948 DIRECTION-SIGNAL-FRONT Automobile  
1948 DIRECTION-SIGNAL-REAR Automobile  
1949 DIRECTION-SIGNAL-FRONT Automobile  
1949 DIRECTION-SIGNAL-REAR Automobile  
1950 DIRECTION-SIGNAL-FRONT Automobile  
1950 DIRECTION-SIGNAL-REAR Automobile  
**Prefect**  
PRE-1958 LICENSE-PLATE-LAMP Automobile  
PRE-1958 REAR-LAMP Automobile

PRE-1958 STOP-LAMP Automobile

**REO**

1941 STOP-LAMP Automobile / Truck  
1941 TAIL-LAMP Automobile / Truck  
1942 STOP-LAMP Automobile / Truck  
1942 TAIL-LAMP Automobile / Truck  
1946-6-VOLT STOP-LAMP Automobile / Truck  
1946-6-VOLT TAIL-LAMP Automobile / Truck  
1947-6-VOLT STOP-LAMP Automobile / Truck  
1947-6-VOLT TAIL-LAMP Automobile / Truck  
1948-6-VOLT STOP-LAMP Automobile / Truck  
1948-6-VOLT TAIL-LAMP Automobile / Truck  
1949-6-VOLT STOP-LAMP Automobile / Truck  
1949-6-VOLT TAIL-LAMP Automobile / Truck  
1950-6-VOLT STOP-LAMP Automobile / Truck  
1950-6-VOLT TAIL-LAMP Automobile / Truck  
1951-6-VOLT STOP-LAMP Automobile / Truck  
1951-6-VOLT TAIL-LAMP Automobile / Truck  
1952-6-VOLT STOP-LAMP Automobile / Truck  
1952-6-VOLT TAIL-LAMP Automobile / Truck  
1953-6-VOLT STOP-LAMP Automobile / Truck  
1953-6-VOLT TAIL-LAMP Automobile / Truck

**Studebaker**

1937 REAR-LAMP Automobile  
1937 STOP-LAMP Automobile  
1938 REAR-LAMP Automobile  
1938 STOP-LAMP Automobile  
1939 REAR-LAMP Automobile  
1939 STOP-LAMP Automobile  
1940 REAR-LAMP Automobile  
1940 STOP-LAMP Automobile  
1941 REAR-LAMP Automobile / Truck  
1941 STOP-LAMP Automobile / Truck  
1941 TAIL-LAMP Automobile / Truck  
1942 REAR-LAMP Automobile / Truck  
1942 STOP-LAMP Automobile / Truck  
1942 TAIL-LAMP Automobile / Truck  
1943 REAR-LAMP Automobile  
1943 STOP-LAMP Automobile  
1944 REAR-LAMP Automobile  
1944 STOP-LAMP Automobile  
1945 REAR-LAMP Automobile  
1945 STOP-LAMP Automobile  
1946 REAR-LAMP Automobile / Truck  
1946 STOP-LAMP Automobile / Truck  
1946 TAIL-LAMP Automobile / Truck  
1947-COMMANDER DIRECTION-SIGNAL-FRONT Automobile  
1947-COMMANDER REAR-LAMP Automobile  
1947-COMMANDER STOP-LAMP Automobile  
1947 REAR-LAMP Automobile  
1947 STOP-LAMP Automobile / Truck  
1947 TAIL-LAMP Automobile / Truck  
1948-CHAMPION REAR-LAMP Automobile  
1948-CHAMPION STOP-LAMP Automobile  
1948-COMMANDER DIRECTION-SIGNAL-FRONT Automobile  
1948-COMMANDER REAR-LAMP Automobile

1948-COMMANDER STOP-LAMP Automobile  
1948 STOP-LAMP Automobile / Truck  
1948 TAIL-LAMP Automobile / Truck  
1949-CHAMPION REAR-LAMP Automobile  
1949-CHAMPION STOP-LAMP Automobile  
1949-COMMANDER DIRECTION-SIGNAL-  
FRONT Automobile  
1949-COMMANDER REAR-LAMP Automobile  
1949-COMMANDER STOP-LAMP Automobile  
1949 STOP-LAMP Automobile / Truck  
1949 TAIL-LAMP Automobile / Truck  
1950 DIRECTION-SIGNAL-FRONT Automobile  
1950 REAR-LAMP Automobile / Truck  
1950 STOP-LAMP Automobile / Truck  
1950 TAIL-LAMP Automobile / Truck  
1951 DIRECTION-SIGNAL-FRONT Automobile  
1951 STOP-LAMP Automobile / Truck  
1951 TAIL-LAMP Automobile / Truck  
1952 DIRECTION-SIGNAL-FRONT Automobile  
1952 STOP-LAMP Automobile / Truck  
1952 TAIL-LAMP Automobile / Truck  
1953-CHAMPION DIRECTION-SIGNAL-  
FRONT Automobile  
1953-COMMANDER DIRECTION-SIGNAL-  
FRONT Automobile  
1953 STOP-LAMP Automobile / Truck  
1953 TAIL-LAMP Automobile / Truck  
1954 DIRECTION-SIGNAL-FRONT Automobile  
1954 STOP-LAMP Automobile / Truck  
1954 TAIL-LAMP Automobile / Truck  
1955 DIRECTION-SIGNAL-FRONT Automobile  
1955 STOP-LAMP Automobile / Truck  
1955 TAIL-LAMP Automobile / Truck

**White**

1941-WHITE-HORSE-6-VOLT-WA STOP-  
LAMP Automobile / Truck  
1941-WHITE-HORSE-6-VOLT-WA TAIL-  
LAMP Automobile / Truck  
1942-WHITE-HORSE-6-VOLT-WA STOP-  
LAMP Automobile / Truck  
1942-WHITE-HORSE-6-VOLT-WA TAIL-  
LAMP Automobile / Truck  
1946-6-VOLT-WB STOP-LAMP Automobile /  
Truck  
1946-6-VOLT-WB TAIL-LAMP Automobile /  
Truck  
1946-WHITE-HORSE-6-VOLT-WA STOP-  
LAMP Automobile / Truck  
1946-WHITE-HORSE-6-VOLT-WA TAIL-  
LAMP Automobile / Truck  
1947-6-VOLT-WB STOP-LAMP Automobile /  
Truck  
1947-6-VOLT-WB TAIL-LAMP Automobile /  
Truck  
1947-WHITE-HORSE-6-VOLT-WA STOP-  
LAMP Automobile / Truck  
1947-WHITE-HORSE-6-VOLT-WA TAIL-  
LAMP Automobile / Truck

1948-6-VOLT-WB STOP-LAMP Automobile /  
Truck  
1948-6-VOLT-WB TAIL-LAMP Automobile /  
Truck  
1948-WHITE-HORSE-6-VOLT-WA STOP-  
LAMP Automobile / Truck  
1948-WHITE-HORSE-6-VOLT-WA TAIL-  
LAMP Automobile / Truck  
1949-6-VOLT-3018,3020 STOP-LAMP Automobile  
/ Truck  
1949-6-VOLT-3018,3020 TAIL-LAMP Automobile  
/ Truck  
1949-6-VOLT STOP-LAMP Automobile / Truck  
1949-6-VOLT TAIL-LAMP Automobile / Truck  
1949-WHITE-HORSE-6-VOLT-WA STOP-  
LAMP Automobile / Truck  
1949-WHITE-HORSE-6-VOLT-WA TAIL-  
LAMP Automobile / Truck  
1950-6-VOLT-3016,3026 STOP-LAMP Automobile  
/ Truck  
1950-6-VOLT-3016,3026 TAIL-LAMP Automobile  
/ Truck  
1950-6-VOLT-WA STOP-LAMP Automobile /  
Truck  
1950-6-VOLT-WA TAIL-LAMP Automobile /  
Truck  
1950-6-VOLT-WC-14-26 STOP-LAMP Automobile  
/ Truck  
1950-6-VOLT-WC-14-26 TAIL-LAMP Automobile  
/ Truck  
1950-6-VOLT-WC14-26 STOP-LAMP Automobile  
/ Truck  
1950-6-VOLT-WC14-26 TAIL-LAMP Automobile /  
Truck  
1951-6-VOLT-3014,3016 STOP-LAMP Automobile  
/ Truck  
1951-6-VOLT-3014,3016 TAIL-LAMP Automobile  
/ Truck  
1951-6-VOLT-WC-14,WC-26 STOP-  
LAMP Automobile / Truck  
1951-6-VOLT-WC-14,WC-26 TAIL-  
LAMP Automobile / Truck  
1951-6-VOLT-WC-14,WC26 STOP-  
LAMP Automobile / Truck  
1951-6-VOLT-WC-14,WC26 TAIL-  
LAMP Automobile / Truck  
1951-6-VOLT-WC14,WC26 STOP-  
LAMP Automobile / Truck  
1951-6-VOLT-WC14,WC26 TAIL-  
LAMP Automobile / Truck  
1952-6-VOLT-3014,3016 STOP-LAMP Automobile  
/ Truck  
1952-6-VOLT-3014,3016 TAIL-LAMP Automobile  
/ Truck  
1952-6-VOLT-WC-14,WC-26 STOP-  
LAMP Automobile / Truck  
1952-6-VOLT-WC-14,WC-26 TAIL-  
LAMP Automobile / Truck

1952-6-VOLT-WC-14,WC26 STOP-LAMP Automobile / Truck  
1952-6-VOLT-WC-14,WC26 TAIL-LAMP Automobile / Truck  
1952-6-VOLT-WC14,WC26 STOP-LAMP Automobile / Truck  
1952-6-VOLT-WC14,WC26 TAIL-LAMP Automobile / Truck  
1953-6-VOLT-3014,3016 STOP-LAMP Automobile / Truck  
1953-6-VOLT-3014,3016 TAIL-LAMP Automobile / Truck  
1953-6-VOLT-WC-14,WC-26 STOP-LAMP Automobile / Truck  
1953-6-VOLT-WC-14,WC-26 TAIL-LAMP Automobile / Truck  
1953-6-VOLT-WC-14,WC26 STOP-LAMP Automobile / Truck  
1953-6-VOLT-WC-14,WC26 TAIL-LAMP Automobile / Truck  
1953-6-VOLT-WC14,WC26 STOP-LAMP Automobile / Truck  
1953-6-VOLT-WC14,WC26 TAIL-LAMP Automobile / Truck  
1954-6-VOLT-3014,3016 STOP-LAMP Automobile / Truck  
1954-6-VOLT-3014,3016 TAIL-LAMP Automobile / Truck  
1954-6-VOLT-WC-14,WC-26 STOP-LAMP Automobile / Truck  
1954-6-VOLT-WC-14,WC-26 TAIL-LAMP Automobile / Truck  
1954-6-VOLT-WC-14,WC26 STOP-LAMP Automobile / Truck  
1954-6-VOLT-WC-14,WC26 TAIL-LAMP Automobile / Truck  
1954-6-VOLT-WC14,WC26 STOP-LAMP Automobile / Truck  
1954-6-VOLT-WC14,WC26 TAIL-LAMP Automobile / Truck  
1955-6-VOLT-3014,3016 STOP-LAMP Automobile / Truck  
1955-6-VOLT-3014,3016 TAIL-LAMP Automobile / Truck  
1955-6-VOLT-WC-14,WC-26 STOP-LAMP Automobile / Truck  
1955-6-VOLT-WC-14,WC-26 TAIL-LAMP Automobile / Truck  
1955-6-VOLT-WC-14,WC26 STOP-LAMP Automobile / Truck  
1955-6-VOLT-WC-14,WC26 TAIL-LAMP Automobile / Truck  
1955-6-VOLT-WC14,WC26 STOP-LAMP Automobile / Truck  
1955-6-VOLT-WC14,WC26 TAIL-LAMP Automobile / Truck  
1956-6-VOLT-3014,3016 STOP-LAMP Automobile / Truck

1956-6-VOLT-3014,3016 TAIL-LAMP Automobile / Truck  
1956-6-VOLT-WC-14,WC-26 STOP-LAMP Automobile / Truck  
1956-6-VOLT-WC-14,WC-26 TAIL-LAMP Automobile / Truck  
1956-6-VOLT-WC-14,WC26 STOP-LAMP Automobile / Truck  
1956-6-VOLT-WC-14,WC26 TAIL-LAMP Automobile / Truck  
1956-6-VOLT-WC14,WC26 STOP-LAMP Automobile / Truck  
1956-6-VOLT-WC14,WC26 TAIL-LAMP Automobile / Truck  
1957-6-VOLT-3014,3016 STOP-LAMP Automobile / Truck  
1957-6-VOLT-3014,3016 TAIL-LAMP Automobile / Truck  
1957-6-VOLT-WC-14,WC-26 STOP-LAMP Automobile / Truck  
1957-6-VOLT-WC-14,WC-26 TAIL-LAMP Automobile / Truck  
1957-6-VOLT-WC-14,WC26 STOP-LAMP Automobile / Truck  
1957-6-VOLT-WC-14,WC26 TAIL-LAMP Automobile / Truck  
1957-6-VOLT-WC14,WC26 STOP-LAMP Automobile / Truck  
1957-6-VOLT-WC14,WC26 TAIL-LAMP Automobile / Truck  
**Willys**  
1937 REAR-LAMP Automobile  
1937 STOP-LAMP Automobile  
1938 REAR-LAMP Automobile  
1938 STOP-LAMP Automobile  
1939 REAR-LAMP Automobile  
1939 STOP-LAMP Automobile  
1940 REAR-LAMP Automobile  
1940 STOP-LAMP Automobile  
1941 REAR-LAMP Automobile  
1941 STOP-LAMP Automobile  
1942 REAR-LAMP Automobile  
1942 STOP-LAMP Automobile  
1946-CIV-JEEP REAR-LAMP Automobile / Truck  
1946-CIV-JEEP STOP-LAMP Automobile / Truck  
1946-CIV-JEEP TAIL-LAMP Automobile / Truck  
1947-4-T,2-T STOP-LAMP Automobile / Truck  
1947-4-T,2-T TAIL-LAMP Automobile / Truck  
1947-4T,2T STOP-LAMP Automobile / Truck  
1947-4T,2T TAIL-LAMP Automobile / Truck  
1947-CIV-JEEP REAR-LAMP Automobile / Truck  
1947-CIV-JEEP STOP-LAMP Automobile / Truck  
1947-CIV-JEEP TAIL-LAMP Automobile / Truck  
1947-STATION-WAGON REAR-LAMP Automobile  
1947-STATION-WAGON STOP-LAMP Automobile  
1948-4-T,2-T STOP-LAMP Automobile / Truck

1948-4-T,2-T TAIL-LAMP Automobile / Truck  
1948-4T,2T STOP-LAMP Automobile / Truck  
1948-4T,2T TAIL-LAMP Automobile / Truck  
1948-CIV-JEEP REAR-LAMP Automobile / Truck  
1948-CIV-JEEP STOP-LAMP Automobile / Truck  
1948-CIV-JEEP TAIL-LAMP Automobile / Truck  
1948-STATION-WAGON REAR-LAMP Automobile  
1948-STATION-WAGON STOP-LAMP Automobile  
1949-4-T,2-T STOP-LAMP Automobile / Truck  
1949-4-T,2-T TAIL-LAMP Automobile / Truck  
1949-4T,2T STOP-LAMP Automobile / Truck  
1949-4T,2T TAIL-LAMP Automobile / Truck  
1949-CIV-JEEP REAR-LAMP Automobile / Truck  
1949-CIV-JEEP STOP-LAMP Automobile / Truck  
1949-CIV-JEEP TAIL-LAMP Automobile / Truck  
1949-STATION-WAGON,JEOPSTER REAR-LAMP Automobile  
1949-STATION-WAGON,JEOPSTER STOP-LAMP Automobile  
1950 DIRECTION-LAMP Automobile / Truck  
1950 DIRECTION-SIGNAL-FRONT Automobile / Truck  
1950 DIRECTION-SIGNAL-REAR Automobile / Truck  
1950 PARKING-LAMP Automobile / Truck  
1950 REAR-LAMP Automobile / Truck  
1950 STOP-LAMP Automobile / Truck  
1950 TAIL-LAMP Automobile / Truck  
1951 DIRECTION-LAMP Automobile / Truck  
1951 DIRECTION-SIGNAL-FRONT Automobile / Truck  
1951 DIRECTION-SIGNAL-REAR Automobile / Truck  
1951 PARKING-LAMP Automobile / Truck  
1951 REAR-LAMP Automobile / Truck  
1951 STOP-LAMP Automobile / Truck  
1951 TAIL-LAMP Automobile / Truck  
1952 DIRECTION-LAMP Automobile / Truck  
1952 DIRECTION-SIGNAL-FRONT Automobile  
1952 PARKING-LAMP Automobile / Truck  
1953-JEEP DIRECTION-SIGNAL-FRONT Automobile  
1953-JEEP DIRECTION-SIGNAL-REAR Automobile  
1953-JEEP REAR-LAMP Automobile  
1953-JEEP STOP-LAMP Automobile  
1953-LARK,ACE,EAGLE DIRECTION-SIGNAL-FRONT Automobile  
1953-STATION-WAGON DIRECTION-SIGNAL-FRONT Automobile  
1953-STATION-WAGON DIRECTION-SIGNAL-REAR Automobile  
1953-STATION-WAGON PARKING-LAMP Automobile  
1953-STATION-WAGON REAR-LAMP Automobile

1953-STATION-WAGON STOP-LAMP Automobile  
1953 DIRECTION-LAMP Automobile / Truck  
1953 PARKING-LAMP Automobile / Truck  
1953 STOP-LAMP Automobile / Truck  
1953 TAIL-LAMP Automobile / Truck  
1954-JEEP-CJ-3-B DIRECTION-SIGNAL-FRONT Automobile  
1954-JEEP-CJ-3-B DIRECTION-SIGNAL-REAR Automobile  
1954-JEEP-CJ-3-B REAR-LAMP Automobile  
1954-JEEP-CJ-3-B STOP-LAMP Automobile  
1954-JEEP-CJ3B DIRECTION-SIGNAL-FRONT Automobile  
1954-JEEP-CJ3B DIRECTION-SIGNAL-REAR Automobile  
1954-JEEP-CJ3B REAR-LAMP Automobile  
1954-JEEP-CJ3B STOP-LAMP Automobile  
1954-STANDARD DIRECTION-SIGNAL-FRONT Automobile  
1954-STANDARD DIRECTION-SIGNAL-REAR Automobile  
1954-STANDARD REAR-LAMP Automobile  
1954-STANDARD STOP-LAMP Automobile  
1954-STATION-WAGON-4,6 DIRECTION-SIGNAL-REAR Automobile  
1954-STATION-WAGON-4,6 PARKING-LAMP Automobile  
1954-STATION-WAGON-4,6 REAR-LAMP Automobile  
1954-STATION-WAGON-4,6 STOP-LAMP Automobile  
1954-STATION-WAGON4,6 DIRECTION-SIGNAL-REAR Automobile  
1954-STATION-WAGON4,6 PARKING-LAMP Automobile  
1954-STATION-WAGON4,6 REAR-LAMP Automobile  
1954-STATION-WAGON4,6 STOP-LAMP Automobile  
1954 DIRECTION-LAMP Automobile / Truck  
1954 PARKING-LAMP Automobile / Truck  
1954 STOP-LAMP Automobile / Truck  
1954 TAIL-LAMP Automobile / Truck  
1955-JEEP DIRECTION-SIGNAL-FRONT Automobile  
1955-JEEP LICENSE-PLATE-LAMP Automobile  
1955-JEEP REAR-LAMP Automobile  
1955-JEEP STOP-LAMP Automobile  
1955-PASS-CAR DIRECTION-SIGNAL-FRONT Automobile  
1955-PASS-CAR PARKING-LAMP Automobile  
1955-STATION-WAGON PARKING-LAMP Automobile  
1955-STATION-WAGON REAR-LAMP Automobile  
1955-STATION-WAGON STOP-LAMP Automobile



	<p>1955 DIRECTION-LAMP Automobile / Truck front:1158,rear:1129 1955 PARKING-LAMP Automobile / Truck 1955 STOP-LAMP Automobile / Truck 1955 TAIL-LAMP Automobile / Truck 1956 DIRECTION-LAMP Automobile / Truck 1956 DIRECTION-SIGNAL-FRONT Automobile / Truck 1956 DIRECTION-SIGNAL-REAR Automobile / Truck 1956 PARKING-LAMP Automobile / Truck 1956 REAR-LAMP Automobile / Truck 1956 STOP-LAMP Automobile / Truck 1956 TAIL-LAMP Automobile / Truck 1957 DIRECTION-LAMP Automobile / Truck 1957 DIRECTION-SIGNAL-FRONT Automobile / Truck 1957 DIRECTION-SIGNAL-REAR Automobile / Truck 1957 PARKING-LAMP Automobile / Truck 1957 REAR-LAMP Automobile / Truck 1957 STOP-LAMP Automobile / Truck 1957 TAIL-LAMP Automobile / Truck</p>
--	---