

1188-USA

1188-USA bulb specifications:

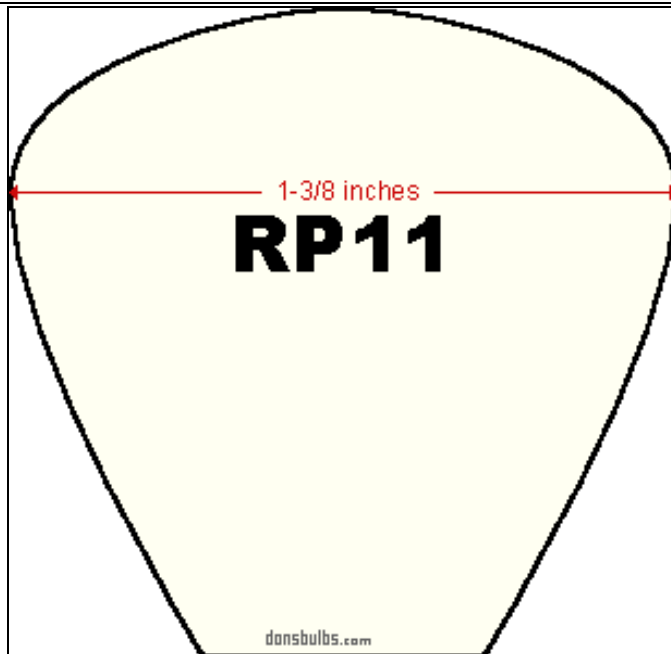
category: **Miniature**
 volt: **5.5 / 6.2**
 amp: **6.18 / 3.87**
 watt: **34 / 24**
 base: **BA15d** - Double Contact Candelabra Bayonet (or D.C.Bayonet)
 glass: **RP11**
 filament: **2C2R**
 fil.res.: **.89 / 1.6** ohm
 m.o.l.: **2.25** inches
 l.c.l.: **1.25** inches
 i.lumens: **50 / 32**
 cp: **4 / 2.5**
 notes:
 antique
Automotive Lamp
 Headlight
 uses socket: [DB-BA15D1](#)

1188-USA

also known as

Cross-Reference:

1188-USA
 1155-TUNGSRAM
 1188
 1188-BMC
 1188-LECTRA
 1188-LUGON
 1188-MAZDA
 626-LUCAS
 626-OSRAM



usual shape of **RP11** glass envelopes
 (not to scale)

BA15d

double contact bayonet
 DC bayonet

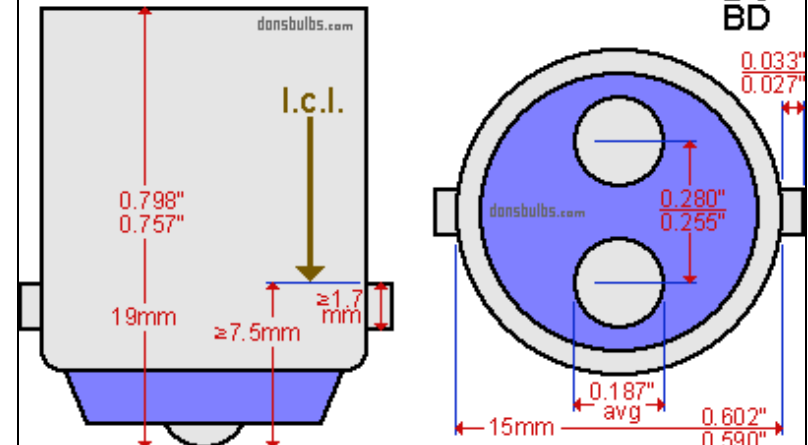
double contact candelabra bayonet

SBC (British small bayonet cap)


IEC7004-11
 DIN49721

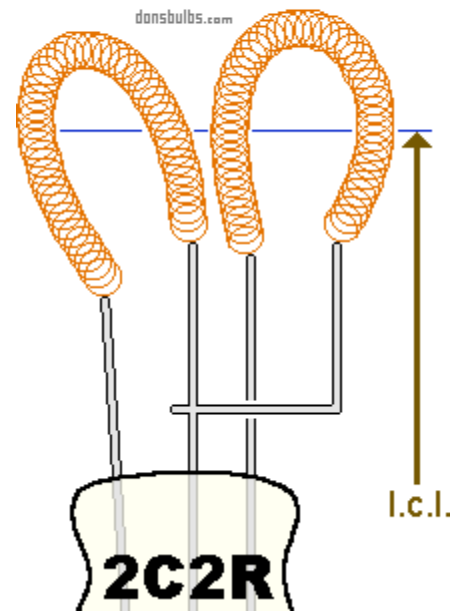
IEC7005-13
 DIN49642T6

A19A
 A19B
 A19C
 A19D
 B15d
 SBC
 DC
 BD



industry standards for base: BA15d - Double Contact Candelabra Bayonet (or D.C.Bayonet) (not to scale)

filament
close-up view:

C = coiled



typical shape of 2C2R filament (not to scale)