

1251 is known as: 1251-USA

1251-USA bulb specifications:

category: **Miniature**

volt: **28**

amp: **.23**

watt: **6.44**

base: **BA15s** - Single Contact Candelabra Bayonet (or S.C.Bayonet)

glass: **G6**

filament: **2C2V**

fil.res.: **122** ohm

m.o.l.: **1.44** inches

l.c.l.: **.75** inches

i.lumens: **37.7**

cp: **3**

d.hours: **2000**

notes:

Aircraft Lamp

Automobile Lamp

Indicator Lamp

Instrument Lamp

interior

parking lamp

side lamp

tag lamp

tail lamp

uses socket: [DB-BA15S1](#)

1251-USA

also known as **Cross-Reference:**

1251-USA

031293402424

031293402424-EIKO

031293440440

031293440440-EIKO

0445

0445-ABH

1251

1251-BULK

1251-BULK-EIKO

1251-EIKO

1251-GE

1251GE

133-149-LUCAS

133-LUCAS

133/149-LUCAS

149 [alternate 2]

149-133-LUCAS

149-BMC

149-LUCAS

149-LUGON

149-MAZDA

149-OSRAM

149-PHILIPS

149/133-LUCAS

15570-1251

2085

2085-FOCUS

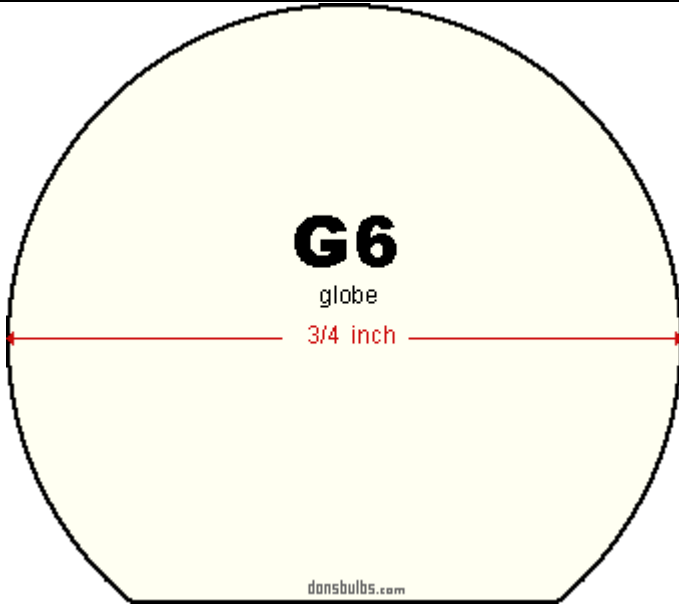
23829

23829-GE

23829GE

2617-TUNGSRAM

2626-TUNGSRAM

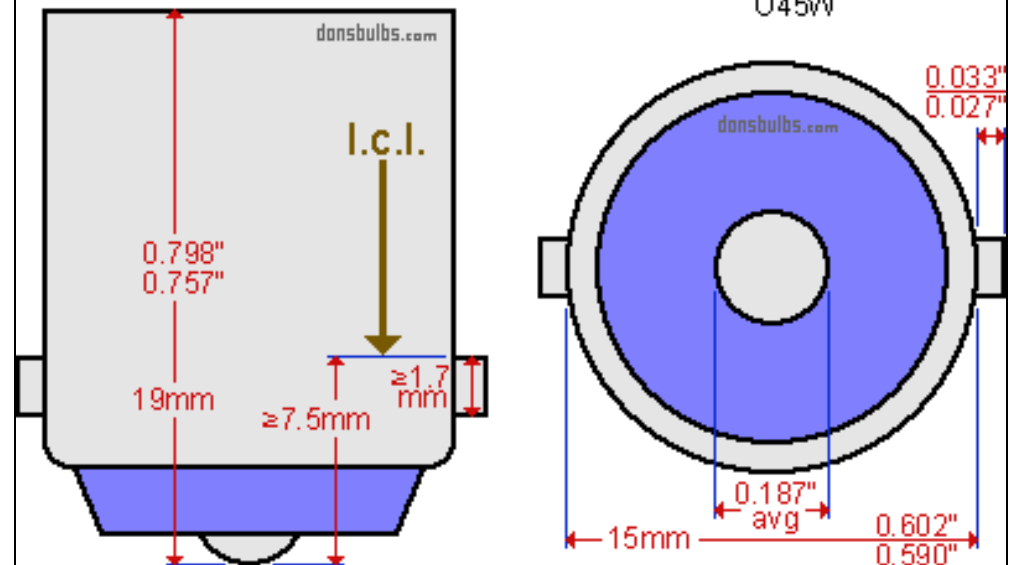


usual shape of **G6** glass envelopes (not to scale)

4131
4131-STANLEY
6240-00-019-0877
8000060
8000060-USHIO
AB2409
ABH-0445
AT-3129
AT-3129-AIDLITE
AT3129
AT3129-AIDLITE
AT4119
CM1251
CNS-M1872C
FOCUS-2085
GE1251
GE23829
L149-LECTRA
LLB-149-LUCAS
LUCAS-149
M1872C
M1872C-CNS
ML-1251
ML1251
ML1251-AIDLITE
R5W [alternate 3]
R5W-ECE [alternate 3]
SM-1251
SM-1251-USHIO
SM1251
STANLEY-4131
TUNGSRAM-2626

BA15s B15s IEC7004-11A9 A18B
 single contact bayonet DIN49720 A18C
 SC bayonet IEC7005-13 A18F
 single contact candelabra bayonet DIN49642T6 A18G
 SCC (British single centre contact) SCC
 SC

E E25W
 F F15W
 G
 P P21W
 R R5W
 R10W
 R18W
 R21W
 U U45W



industry standards for base:
BA15s - Single Contact Candelabra Bayonet (or S.C.Bayonet)
 (not to scale)