

1893 USA

I/14V/0.33A/BA9S/T3.25/CL/31MMMOL/7500H

bulb specifications:

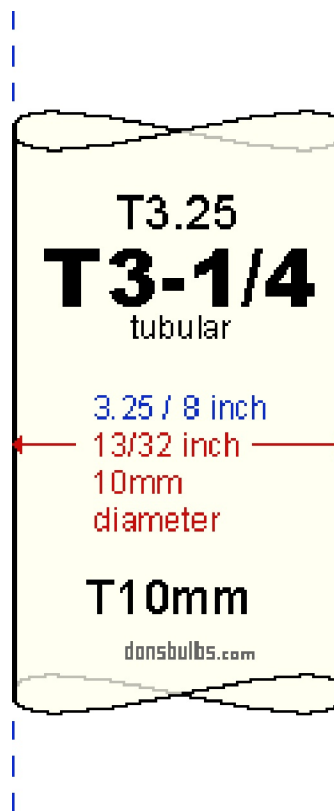
category: Incandescent - miniature lamp
volt: 14
amp: 0.33
watt: 4.62
base: BA9s - Miniature Bayonet
glass: T3-1/4
filament: C2F
fil.res.: 42.4 ohm
m.o.l.: 1.22 inch (31MM)
l.c.l.: 0.63 inch (16MM)
i.lumens: 2
cp: 0.16
d.hours: 7500

notes: automobile lamp
clear glass
gas:vacuum
incandescent lamp
indicator lamp




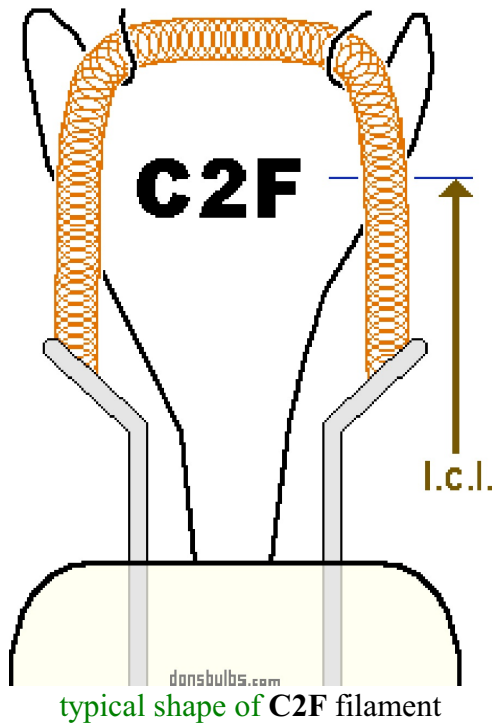
typical photo of **1893MB USA**

I/14V/0.33A/BA9S/T3.25/CL/31MMMOL/7500H
bulb type



typical shape of T3-1/4 glass envelopes

filament
close-up view:

C = coiled

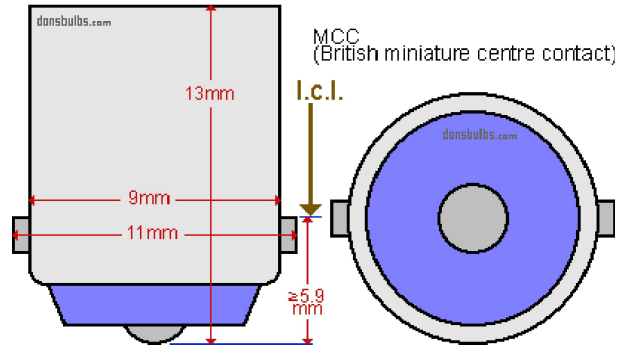


BA9s

miniature bayonet
SC miniature bayonet
single contact miniature bayonet

IEC7004-14
DIN49715
IEC7005-12
DIN49642T12

A18A
A18D
A18E
H
T2.3W
T4W



industry standards for base:
BA9s - Miniature Bayonet