

1898 USA
I/14V/3.4W/BA9S/T3.25/CL/7500H
bulb specifications:

category:Incandescent - Miniature Lamp

volt:14

amp:0.243

watt:3.4

base:BA9s - Miniature Bayonet

glass:T3-1/4

filament:2C2R

fil.res.:57.6 ohm

m.o.l.:1.19 inch (30.2MM)

l.c.l.:0.63 inch (16MM)

d.hours:7500

notes:

automobile lamp

clear glass

indicator lamp

specs verified against ANSI-SR25D1997

uses sockets:

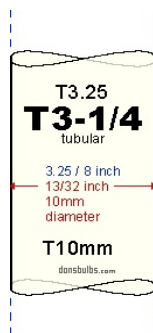
DB-17-20

DB-BA9S1

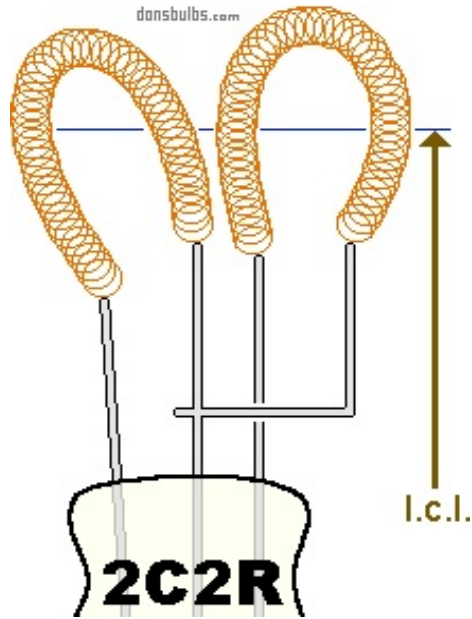
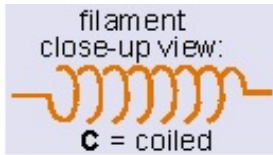
DB-BA9S2



Typical photo of 1898 USA I/14V/3.4W/BA9S/T3.25/CL/7500H bulb type
(your bulb may look slightly different)



typical shape of T3-1/4 glass envelopes (not to scale)



typical shape of 2C2R filament (not to scale)

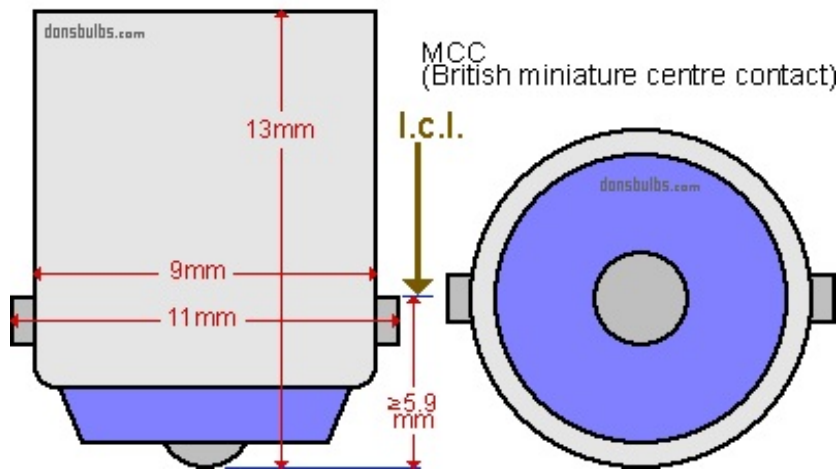
BA9s

miniature bayonet
SC miniature bayonet
single contact miniature bayonet

IEC7004-14
DIN49715

IEC7005-12
DIN49642T12

A18A
A18D
A18E
H
T2.3W
T4W



industry standards for base: BA9s - Miniature Bayonet (not to scale)