

194W2.1 USA

I/14V/3.75W/W2.1X9.5D/T3.25/CL/2500H

bulb specifications:

category: Incandescent-miniature lamp
voltage: 14
amp: 0.268
watt: 3.75
base: W2.1x9.5d - miniature wedge
glass: T3-1/4
filament: C2F
fil.res.: 52.2 ohm
m.o.l.: 1.06 inch (26.8MM)
l.c.l.: 0.559 inch (14.2MM)
i.lumens: 2
cp: 0.16
d.hours: 2500
notes: automobile lamp

clear glass

gas: vacuum

incandescent lamp

indicator lamp

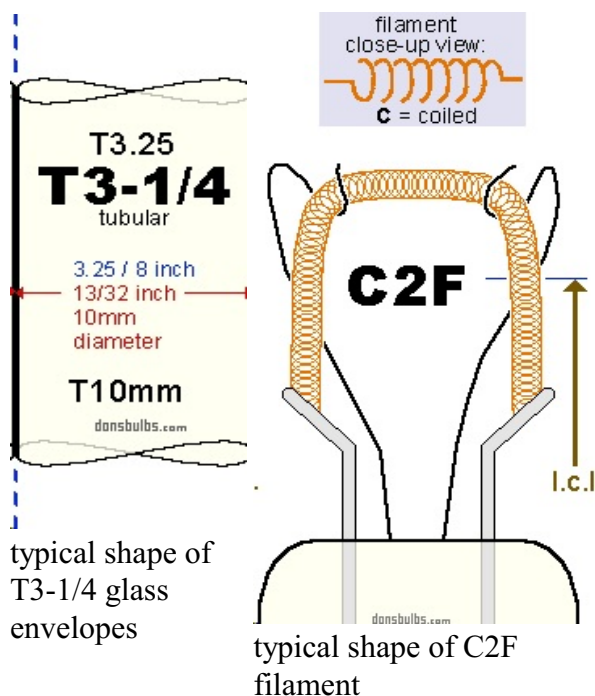
instrument lamp

specs verified against ANSI-SR25D1997

uses socket: DB-W2.1X9.5D-1



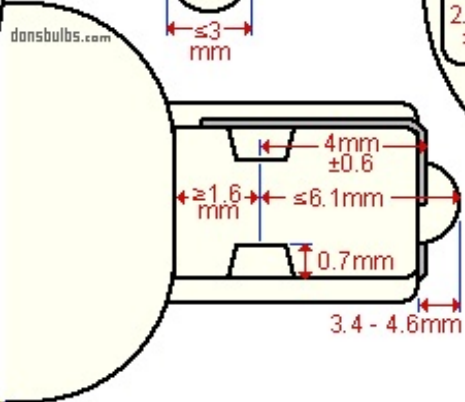
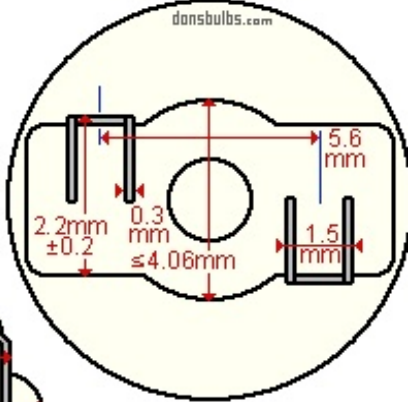
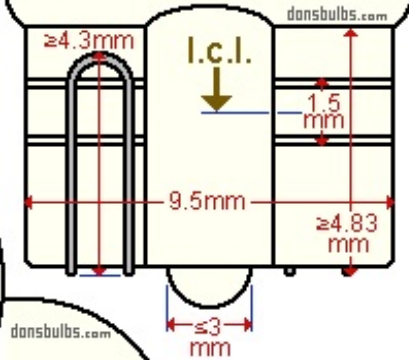
typical photo of
194W2.1 USA



T3-1/4 wedge
 T3.25 wedge
 T5 wedge
 miniature wedge

W2.1x9.5d

WB W10W
 W2W W16W
 W3W WY5W
 W5W



IEC7004-91
 DIN49632T2

WEDGE T3.25
 WEDGE T3-1/4
 WEDGE T5

industry standards for base: W2.1x9.5d - miniature wedge