

2057/NA
is known as:
2057/NATURAL-AMBER USA
\$6.60

USA bulb specifications:

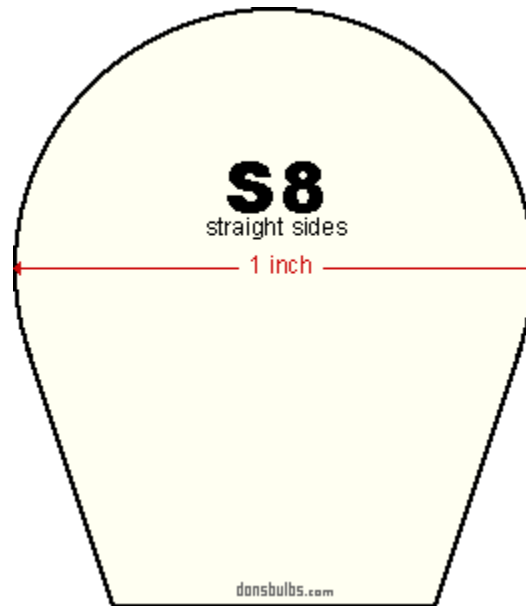
category: **MINIATURE**
volt: **12.8 / 14**
amp: **2.1 / .48**
watt: **26.9 / 6.72**
base: **BAY15d** - Double Contact Index
Bayonet
glass: **S8**
filament: **C6**
fil.res.: **6.1 / 29.2** ohm
m.o.l.: 2 inches
l.c.l.: **1.25** inches
i.lumens: **302 / 18.9**
cp: **24 / 1.5**
d.hours: **1200 / 5000**

notes:
automobile lamp
glass color is: **transparent amber**
stop lamp
tail lamp
glass color is: **natural amber**

2057/NATURAL-AMBER USA

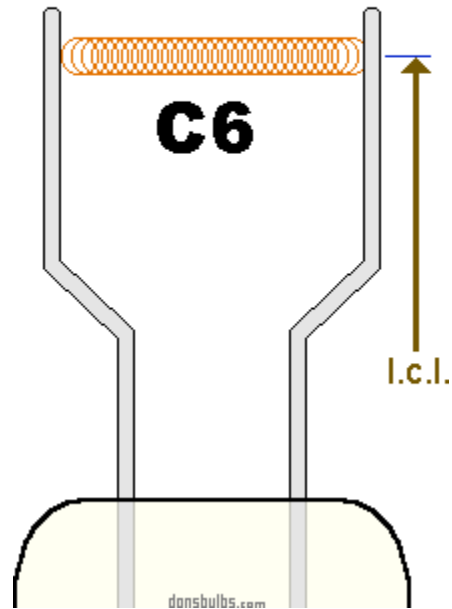
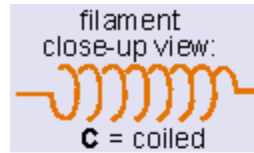
also known as **Cross-Reference:**

031293404558 EIKO
031293404565 EIKO
031293404572 EIKO
2057-NATURAL-AMBER
2057-NATURAL-AMBER USA
2057/NA
2057/NA EIKO
2057/NA/BLISTER-PACK EIKO
2057/NATURAL-AMBER
2057/NATURAL-AMBER EIKO
2057/NATURAL-AMBER USA
2057/NATURAL-AMBER/BLISTER-PACK EIKO
2057NA
2057NA AC/DELCO
2057NA EIKO
2057NA USA
2057NA/BLISTER-PACK EIKO
2057NATURAL-AMBER
2057NATURAL-AMBER EIKO
2057NATURAL-AMBER/BLISTER-



typical shape of **S8** glass envelopes (not to scale)

PACK EIKO
 22860-1
 26638-7
 9438850 GENERAL-MOTORS
 L2057NA AC/DELCO
 MB/20576
 MB20576



typical shape of C6 filament (not to scale)

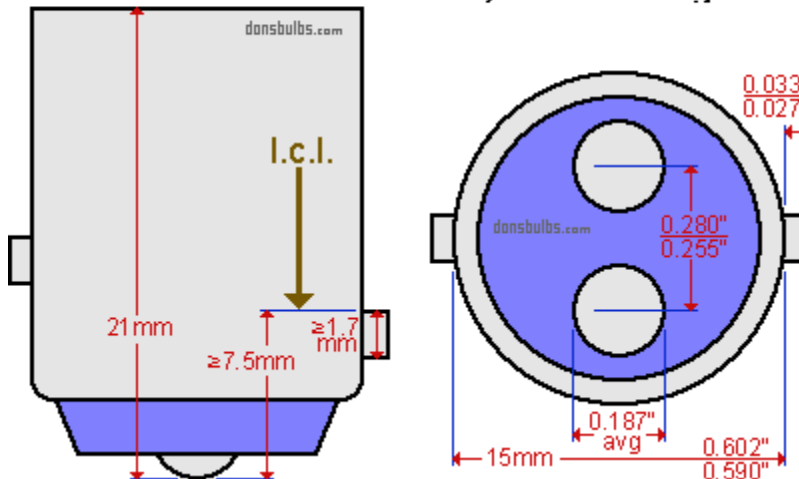
BAY15d

IEC7004-11B
 DIN49720T2
 IEC7005-13
 DIN49642T6

A21A
 A21B
 SBC

double contact bayonet indexing
 DC bayonet indexing
 double contact candelabra bayonet indexing

P21/5W



BAY15d - Double Contact Index Bayonet (not to scale)