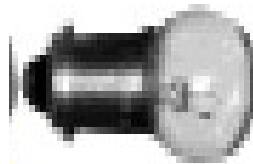


257MBBLINK USA

I/14V/0.27A/BA9S/G4.5/BLINK/500H
bulb specifications:

Submit
category: Incandescent-miniature lamp
volt: 14
amp: 0.27
watt: 3.78
base: BA9s - Miniature Bayonet
glass: G4-1/2
filament: C2R
fil.res.: 51.9 ohm
m.o.l.: 1.06 inch (26.9MM)
l.c.l.: 0.63 inch (16MM)
i.lumens: 1.6
cp: 0.13
d.hours: 500
notes: automobile lamp
blinker lamp
clear glass
flashing signal lamp
specs verified against ANSI-SR25D1997
toy lamp
toy train lamp

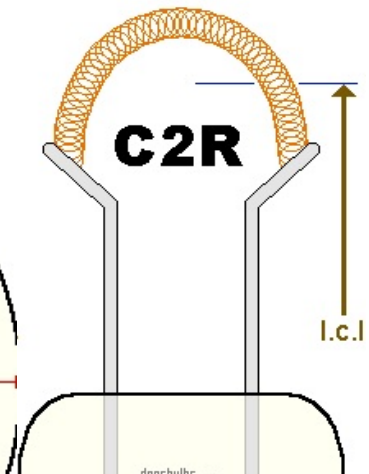
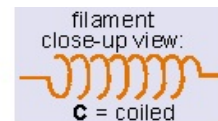
uses sockets: DB-17-20
DB-BA9S1
DB-BA9S2



..
typical photo of
257MBBLINK
USA



..
typical shape of G4-1/2 glass envelopes



..
typical shape of C2R
filament

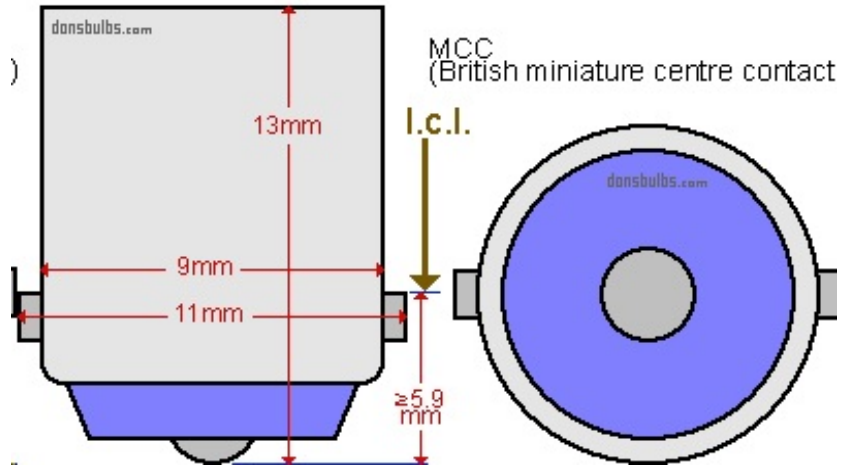
BA9s

miniature bayonet
SC miniature bayonet
single contact miniature bayonet

IEC7004-14
DIN49715

IEC7005-12
DIN49642T12

A18A
A18C
A18E
H
T2.3W
T4W



industry standards for base: BA9s - Miniature Bayonet