

# 302DC USA

I/28V/0.17A/BA15D/G5/CL/500H

bulb specifications:

category: Incandescent-miniature lamp  
voltage: 28  
amp: 0.17  
watt: 4.76  
base: BA15d - Double Contact Candelabra Bayonet (or D.C.Bayonet)  
glass: G5  
filament: C2F  
fil.res.: 165 ohm  
m.o.l.: 1.38 inch (35.1MM)  
l.c.l.: 0.69 inch (17.5MM)  
i.lumens: 3  
cp: 0.24  
d.hours: 500  
notes: aircraft lamp  
clear glass  
indicator lamp  
instrument lamp  
interior lamp  
specs verified against ANSI-SR25D1997

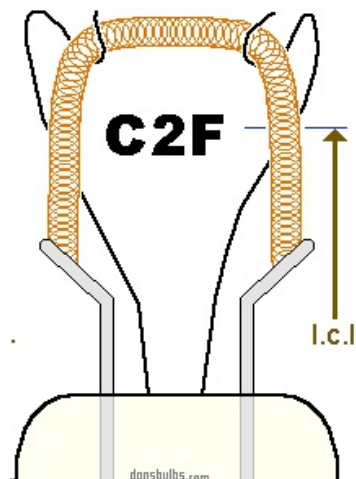
uses sockets: DB-BA15D1  
DB-BA15D2  
DB-BA15D8



typical photo of 302DC USA



typical shape of G5 glass envelopes



typical shape of C2F filament

# BA15d

double contact bayonet

DC bayonet

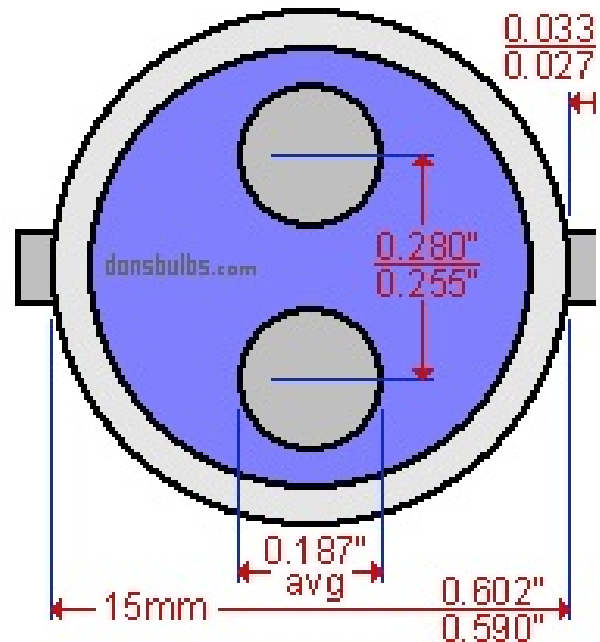
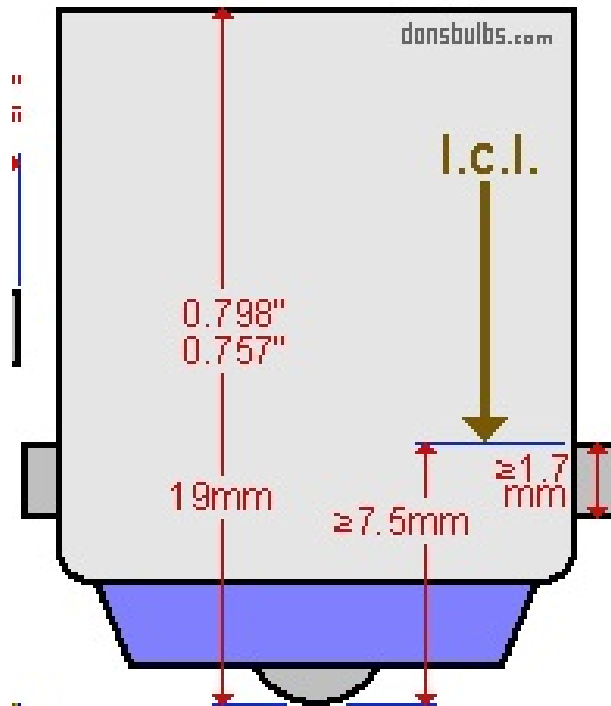
double contact candelabra bayonet

SBC (British small bayonet cap)

IEC7004-11  
DIN49721

IEC7005-13  
DIN49642T6

A19A  
A19E  
A19C  
A19E  
B15c  
SBC  
DC  
BD



industry standards for base: BA15d - Double Contact Candelabra Bayonet (or D.C.Bayonet)