

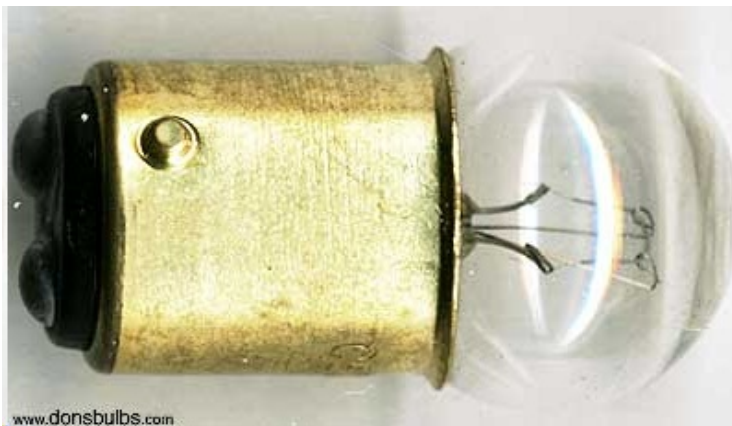
304DC USA

I/28V/0.3A/BA15D/G6/CL/500H

bulb specifications:

category: Incandescent-miniature lamp
voltage: 28
amp: 0.3
watt: 8.4
base: BA15d - Double Contact Candelabra Bayonet (or D.C.Bayonet)
glass: G6
filament: C2F
fil.res.: 93.3 ohm
m.o.l.: 1.44 inch (36.6MM)
l.c.l.: 0.752 inch (19.1MM)
i.lumens: 6
cp: 0.48
d.hours: 500
notes: aircraft lamp
clear glass
incandescent lamp
indicator lamp
instrument lamp
interior lamp
specs verified against ANSI-SR25D1997


uses sockets: DB-BA15D1
DB-BA15D2
DB-BA15D8



typical photo of 304DC USA
I/28V/0.3A/BA15D/G6/CL/500H bulb type



typical shape of G6 glass envelopes

filament
close-up view:

C = coiled

BA15d

double contact bayonet
DC bayonet

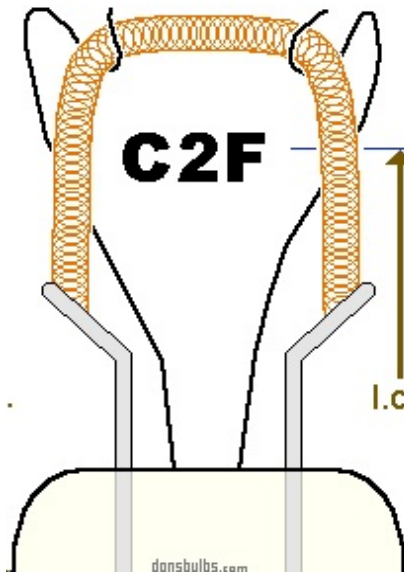
double contact candelabra bayonet

SBC (British small bayonet cap)

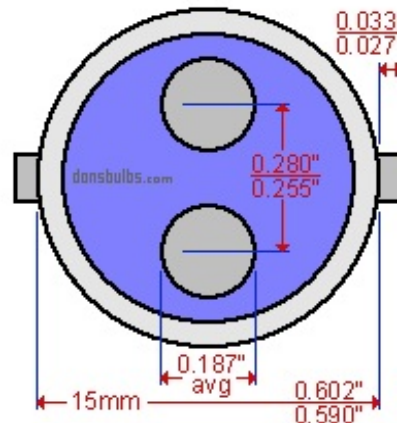
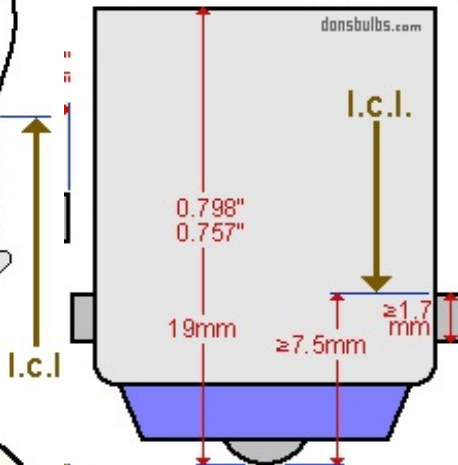
IEC7004-11
DIN49721

IEC7005-13
DIN49642T6

A19A
A19E
A19C
A19D
B15c
SBC
DC
BD



typical shape of C2F filament



industry standards for base: BA15d - Double Contact
Candelabra Bayonet (or D.C.Bayonet)