

# 3057/NA is known as: USA

\$9

## 3057/NATURAL-AMBER USA

bulb specifications:

category: **MINIATURE**

volt: **12.8 / 14**

amp: **2.1 / .48**

watt: **26.9 / 6.72**

base: **W2.5x16q**

glass: **S8**

filament: **C6/C6**

fil.res.: **6.1 / 29.2** ohm

m.o.l.: **2.09** inches

l.c.l.: **1.09** inches

i.lumens: **302 / 18.9**

cp: **24 / 1.5**

d.hours: **1200 / 1500**

### notes:

automobile lamp

glass color is: **transparent amber**

**FRONT SIGNAL LAMP**

glass color is: **natural amber**

## 3057/NATURAL-AMBER USA

also known as

### Cross-Reference:

031293406033 EIKO

031293406040 EIKO

031293406057 EIKO

12V-32/2CP-W2.5Q-NA

12V-32/2CP-W2.5X16Q-NA

12V-32CP/2CP-W2.5Q-NA

12V-32CP/2CP-W2.5X16Q-NA

22871-8

2358/NA

2358NA

2457/NA

2457/NATURAL-AMBER

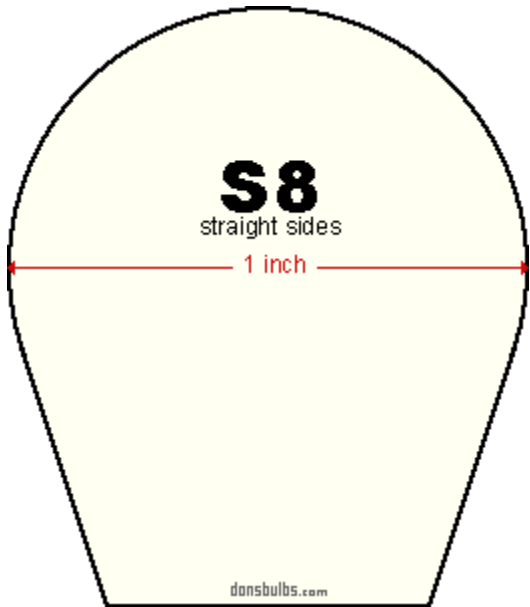
2457NA

26344-2

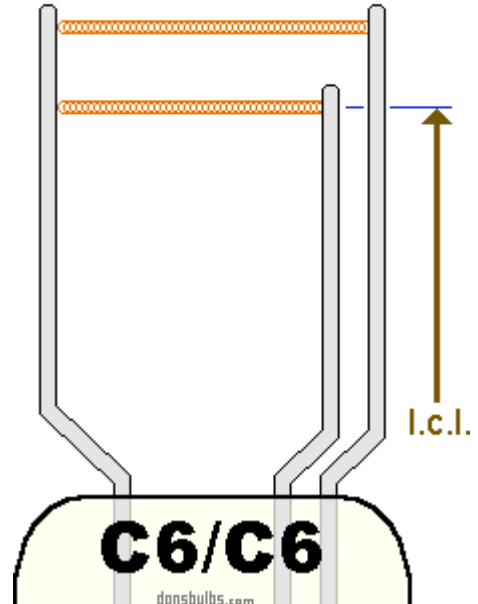
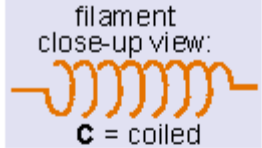
9441840 GENERAL-MOTORS

MB/30576

MB30576

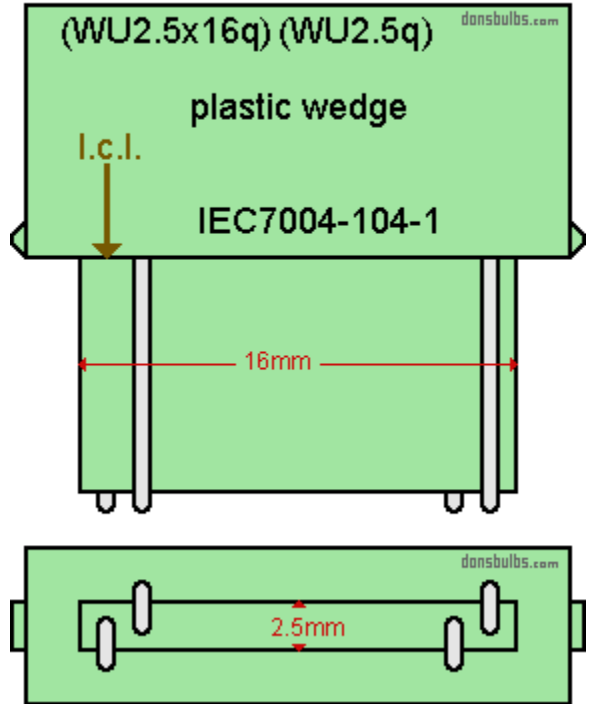


typical shape of **S8** glass envelopes (not to scale)



typical shape of **C6/C6** filament (not to scale)

**W2.5x16q** W2.5q



industry standards for base: **W2.5x16q** (not to scale)