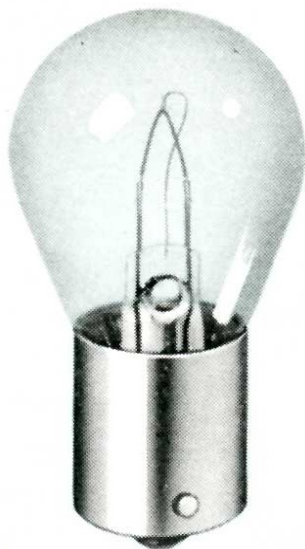


307SC USA

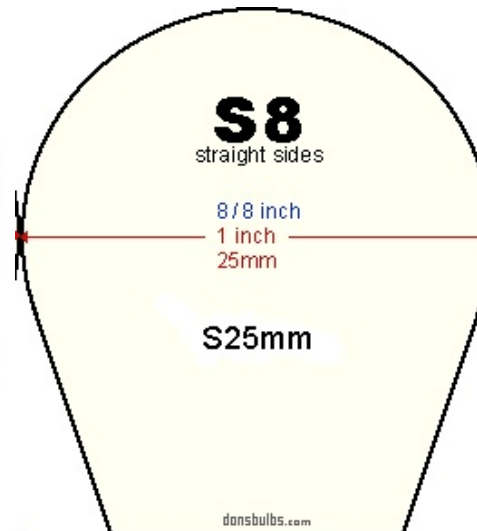
I/28V/0.67A/BA15S/S8/CL/300H

bulb specifications:

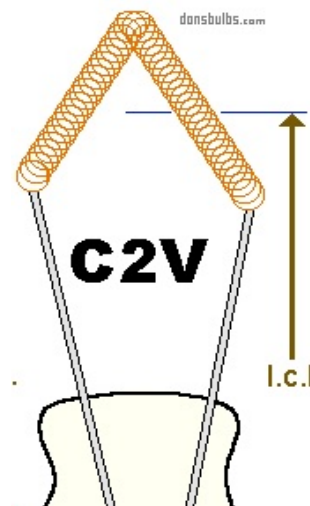
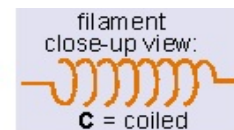
category: Incandescent-miniature lamp
voltage: 28
amp: 0.67
watt: 18.8
base: BA15s - Single Contact Candelabra Bayonet (or S.C. Bayonet)
glass: S8
filament: C2V
fil.res.: 41.8 ohm
m.o.l.: 2 inch (50.8MM)
l.c.l.: 1.13 inch (28.7MM)
i.lumens: 21
cp: 1.7
d.hours: 300
notes: aircraft lamp
aviation lamp
clear glass
incandescent lamp
interior lamp
specs verified against ANSI-SR25D1997
uses socket: DB-BA15S1



typical photo of 307SC USA



typical shape of S8 glass envelopes



typical shape of C2V filament

BA15s

B15s

IEC7004-11A9 DIN49720

single contact bayonet
SC bayonet

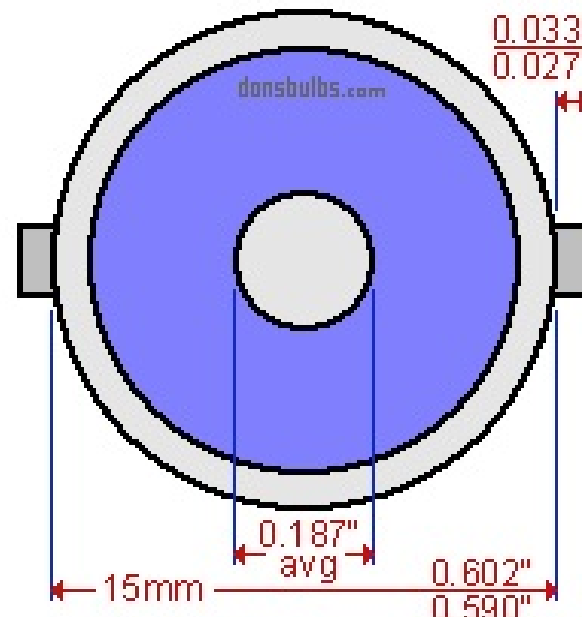
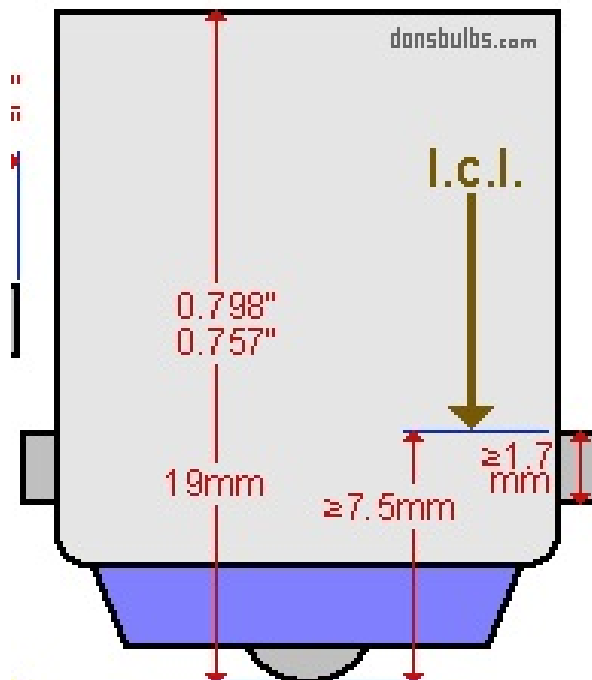
IEC7005-13
DIN49642T6

single contact candelabra bayonet

SCC (British single centre contact)

E
F
G
P
R
R5W
R10W
R18W
R21W
U
U45W

A18E
A18C
A18F
A18G
SCC
SC



industry standards for base: BA15s - Single Contact Candelabra Bayonet (or S.C.Bayonet)