

311SC USA

I/28V/1.29A/BA15S/S11/CL/300H

bulb specifications:

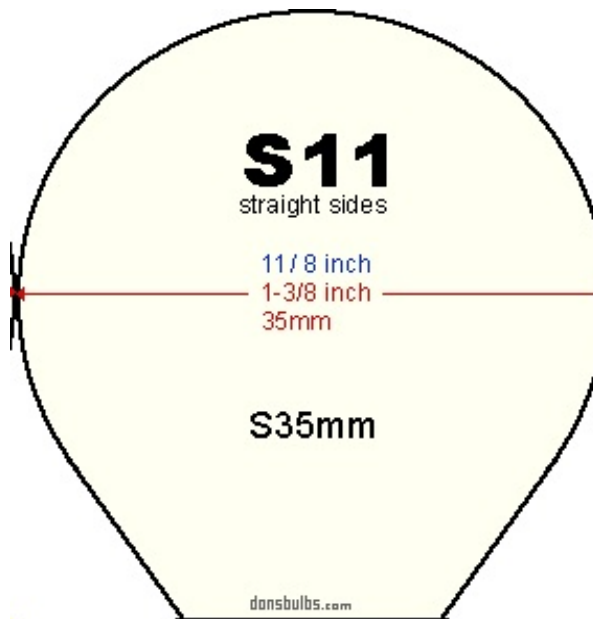
Submit

category:	Incandescent-miniature lamp
volt:	28
amp:	1.29
watt:	36.1
base:	BA15s - Single Contact Candelabra Bayonet (or S.C.Bayonet)
glass:	S11
filament:	C2V
fil.res.:	21.7 ohm
m.o.l.:	2.38 inch (60.5MM)
l.c.l.:	1.25 inch (31.8MM)
i.lumens:	50
cp:	4
d.hours:	300
notes:	aircraft lamp clear glass interior lamp specs verified against ANSI-SR25D1997

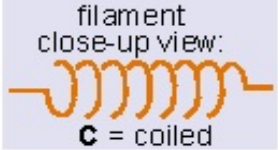
uses socket: DB-BA15S1



typical photo of 311SC USA
I/28V/1.29A/BA15S/S11/CL/300
H bulb type



typical shape of S11 glass envelopes

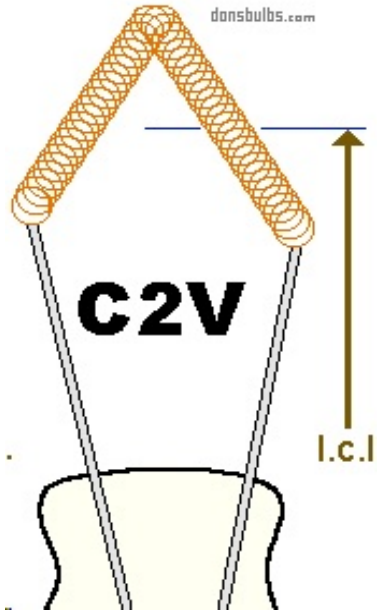


BA15s B15s IEC7004-11A9
DIN49720

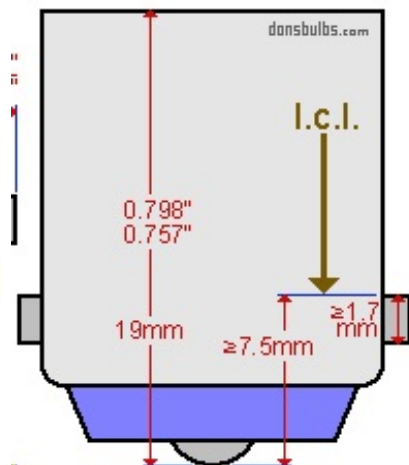
single contact bayonet
SC bayonet
single contact candelabra bayonet
SCC (British single centre contact)

- IEC7005-13
- DIN49642T6
- E 25W
- F 15W
- G
- P 21W
- R
- R 5W
- R 10W
- R 18W
- R 21W
- U
- U 45W

- A18E
- A18C
- A18F
- A18G
- SCC
- SC



typical shape of C2V filament



industry standards for base:

BA15s - Single Contact Candelabra Bayonet (or S.C.Bayonet)

