

313MB USA

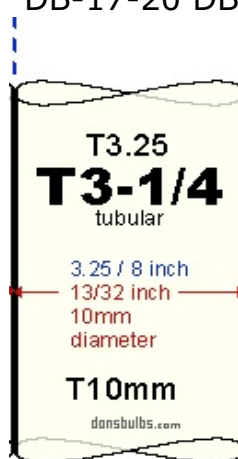
I/28V/0.17A/BA9S/T3.25/CL/31MMMOL/500H
bulb specifications:

category: Incandescent-miniature lamp
volt: 28
amp: 0.17
watt: 4.76
base: BA9s - Miniature Bayonet
glass: T3-1/4
filament: C2F
fil.res.: 165 ohm
m.o.l.: 1.22 inch (31MM)
l.c.l.: 0.63 inch (16MM)
i.lumens: 44
cp: 3.5
d.hours: 500
notes: aircraft lamp
aviation lamp
clear glass
gas:vacuum
incandescent lamp
indicator lamp
instrument lamp
interior lamp
specs verified against ANSI-SR25D1997

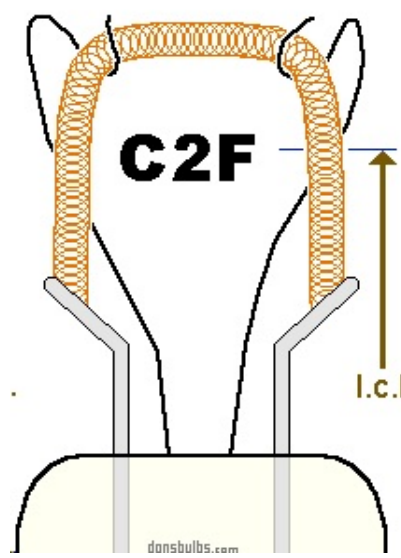
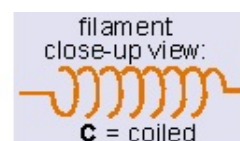
uses sockets: DB-17-20 DB-BA9S1 DB-BA9S2



313



typical shape of
T3-1/4 glass
envelopes



typical shape of C2F filament

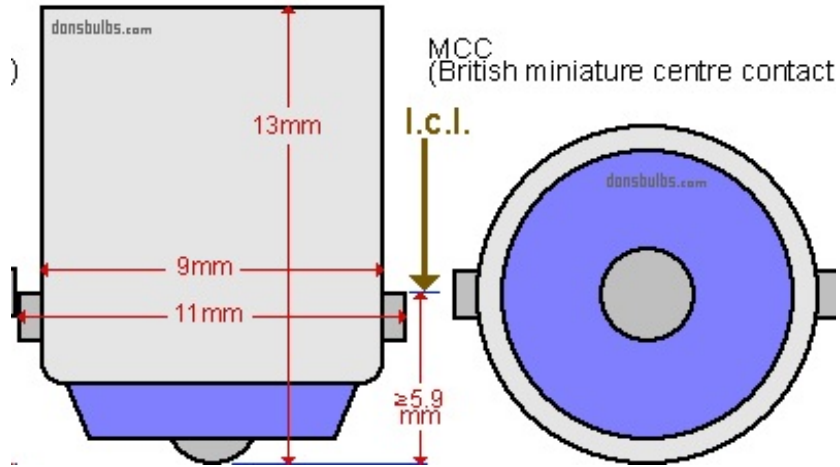
BA9s

miniature bayonet
SC miniature bayonet
single contact miniature bayonet

IEC7004-14
DIN49715

IEC7005-12
DIN49642T12

A18A
A18C
A18E
H
T2.3W
T4W



industry standards for base: BA9s - Miniature Bayonet