

# 3156 is known as: **3156 USA**

\$1.52

## **3156 USA** bulb specifications:

category: **MINIATURE**

volt: **12.8**

amp: **2.1**

watt: **26.9**

base: **W2.5x16d**

glass: **S8**

filament: **C6**

fil.res.: **6.1** ohm

m.o.l.: **2.09** inches

l.c.l.: **1.09** inches

i.lumens: **402 / 37.7**

cp: **32 / 3**

d.hours: **1200**

notes:

possible substitution: **P27W/12V/27W/W2.5X16D ECE**

automobile lamp

flasher lamp

incandescent

stop lamp

wedge base

## **3156 USA**

also known as

### **Cross-Reference:**

031293421883 EIKO

031293422927 EIKO

031293422941 EIKO

12V-32/3CP-W2.5Q

12V-32/3CP-W2.5X16Q

12V-32CP/3CP-W2.5Q

12V-32CP/3CP-W2.5X16Q

22508-6

2356

2456

31061-5

6240-01-332-1831

9442003 GENERAL-MOTORS

AT/3902

AT3902

F5DZ-13446-B FORD

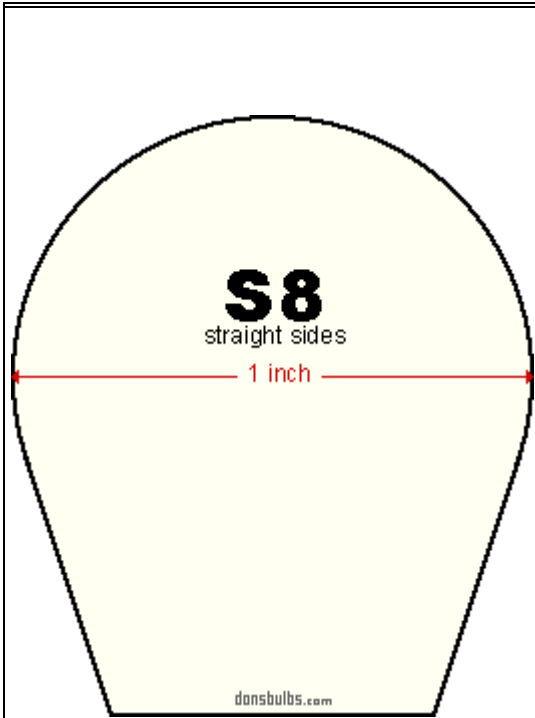
F5DZ13446B FORD

LA/217 LIL-AUTO-STORE

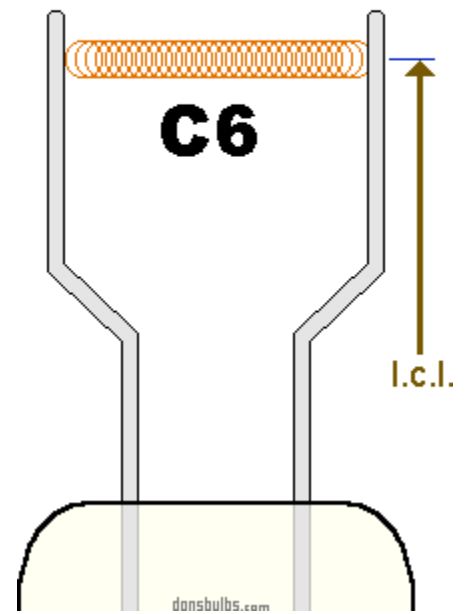
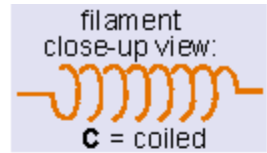
LA217 LIL-AUTO-STORE

MB/31560

MB31560



typical shape of S8 glass envelopes (not to scale)

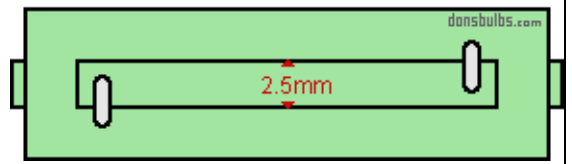
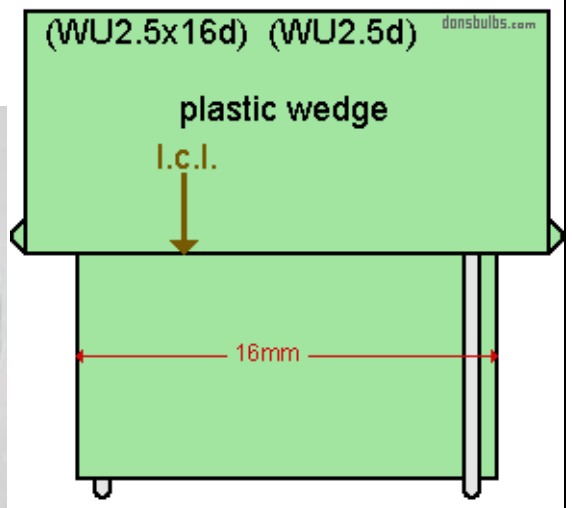


typical shape of C6 filament (not to scale)



typical photo of 3156 USA bulb type (your bulb may look slightly different)

## W2.5x16d W2.5d



industry standards for base: W2.5x16d (not to scale)