

44 USA

I/6.3V/1.6W/BA9S/T3.25/CL/3000H

bulb specifications:

category:Incandescent - Miniature Lamp

volt:6.3

amp:0.254

watt:1.6

base:BA9s - Miniature Bayonet

glass:T3-1/4

filament:C2R

fil.res.:24.8 ohm

m.o.l.:1.19 inch (30.2MM)

l.c.l.:0.78 inch (19.8MM)

i.lumens:11.3

cp:0.9

d.hours:3000

notes:

possible substitution: 51 USA

possible substitution: 55 USA

TV indicator lamp

aircraft lamp

clear glass

gas:vacuum

incandescent lamp

indicator lamp

instrument lamp

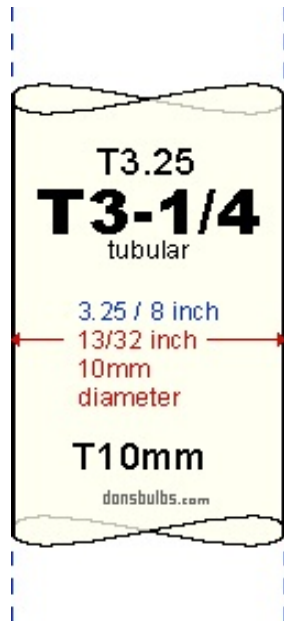
specs verified against ANSI-SR25D1997

uses sockets:

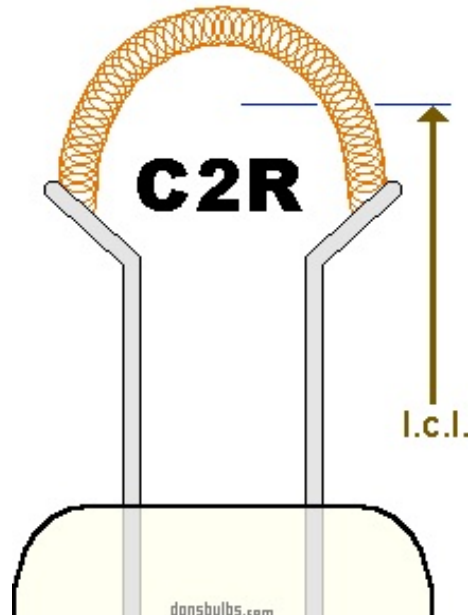
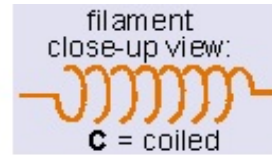
DB-17-20

DB-BA9S1

DB-BA9S2



typical shape of T3-1/4 glass envelopes
(not to scale)



typical shape of C2R filament
(not to scale)

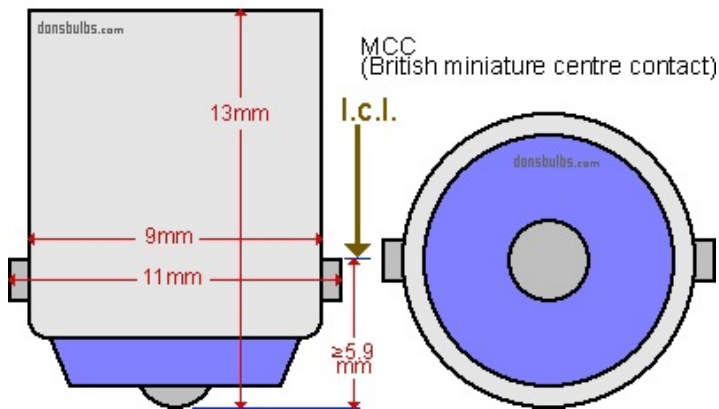
BA9s

miniature bayonet
SC miniature bayonet
single contact miniature bayonet

IEC7004-14
DIN49715

IEC7005-12
DIN49642T12

A18A
A18D
A18E
H
T2.3W
T4W



industry standards for base: BA9s - Miniature Bayonet
(not to scale)