

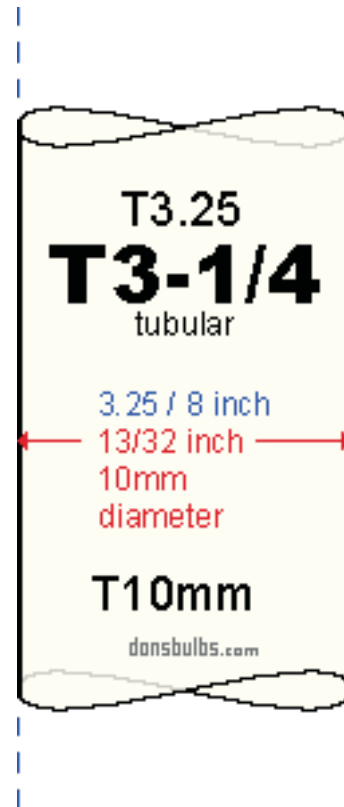
49

I/2V/0.06A/BA9S/T3.25/CL/31MMMOL/1000H

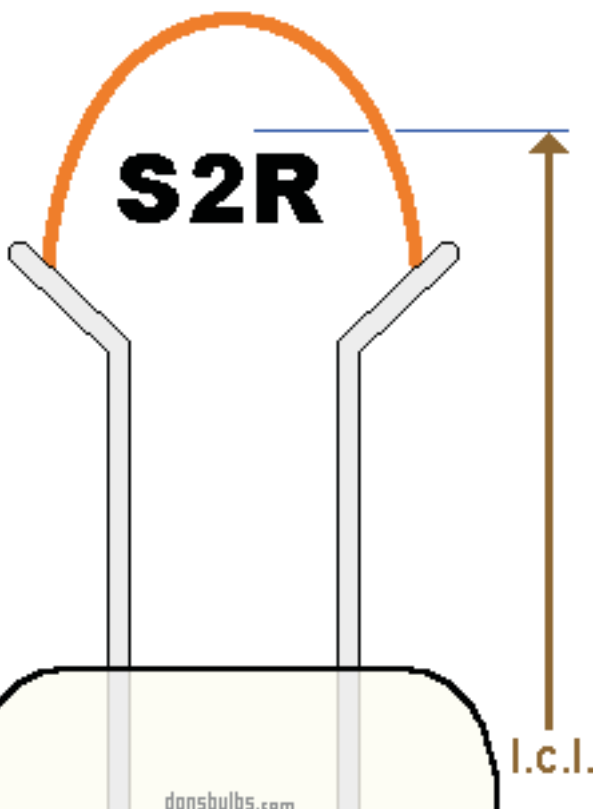
bulb specifications:

Submit
category: Incandescent-miniature lamp
volt: 2
amp: 0.06
watt: 0.12
base: BA9s - Miniature Bayonet
glass: T3-1/4
filament: S2R
fil.res.: 33.3 ohm
m.o.l.: 1.22 inch (31MM)
i.lumens: 0.04
d.hours: 1000
notes: aircraft lamp
clear glass
incandescent lamp
indicator lamp
instrument lamp
specs verified against ANSI-SR25D1997

uses sockets: DB-17-20
DB-BA9S1
DB-BA9S2



filament close-up view:



BA9s

miniature bayonet
SC miniature bayonet
single contact miniature bayonet

IEC7004-14
DIN49715

IEC7005-12
DIN49642T12

A18A
A18D
A18E
H
T2.3W
T4W

