

53 is known as: 53-USA

53-USA bulb specifications:

category: **Miniature**

volt: **14.4**

amp: **.12**

watt: **1.73**

base: **BA9s** - Miniature Bayonet

glass: **G3-1/2**

filament: **C2V**

fil.res.: **120** ohm

m.o.l.: **.938** inches

l.c.l.: **.438** inches

i.lumens: **12.6**

cp: **1**

d.hours: **1000**

notes: **Automotive Lamp**

dash lamp

Indicator Lamp

panel illumination

Vacuum

warning lights

uses sockets: **DB-17-20**

DB-BA9S1

53-USA also known as Cross-Reference:

53-USA

031293407610

031293407610-EIKO

031293407627

031293407627-EIKO

031293407634

031293407634-EIKO

0410

102-TRIFA

117

12-002-01

121

121-STANLEY

53-USA

have been found in equipment:

Available

1956-12-VOLT INSTRUMENT-PANEL-LAMP Automobile / Truck

Beech

33 Aircraft

Brockway

1948-12-VOLT INSTRUMENT-PANEL-LAMP Automobile / Truck

1949-12-VOLT INSTRUMENT-PANEL-LAMP Automobile / Truck

1951-12-VOLT INSTRUMENT-PANEL-LAMP Automobile / Truck

1952-12-VOLT INSTRUMENT-PANEL-LAMP Automobile / Truck

1953-12-VOLT INSTRUMENT-PANEL-LAMP Automobile / Truck

1954-12-VOLT INSTRUMENT-PANEL-LAMP Automobile / Truck

1955-12-VOLT INSTRUMENT-PANEL-LAMP Automobile / Truck

Buick

1953-SERIES-50 INDICATOR-LAMP Automobile

1953-SERIES-70 INDICATOR-LAMP Automobile

1954-12-VOLT INDICATOR-LAMP Automobile

1955-12-VOLT INDICATOR-LAMP Automobile

1956-12-VOLT INDICATOR-LAMP Automobile

1957-12-VOLT INDICATOR-LAMP Automobile

1957 IGNITION-SWITCH-LAMP Automobile

Cadillac

1953 CIGAR-LIGHTER-LAMP Automobile

1953 IGNITION-SWITCH-LAMP Automobile

1954 CIGAR-LIGHTER-LAMP Automobile

1954 IGNITION-SWITCH-LAMP Automobile

1955-12-VOLT CIGAR-LIGHTER-LAMP Automobile

1955-12-VOLT IGNITION-SWITCH-LAMP Automobile

1955-12-VOLT INDICATOR-LAMP Automobile

1956-12-VOLT CIGAR-LIGHTER-LAMP Automobile

1956-12-VOLT IGNITION-SWITCH-LAMP Automobile

1957 CIGAR-LIGHTER-LAMP Automobile

1957 CLOCK-LAMP Automobile

Chevrolet

14.4-1.73-01
17053
17053-CP
22514-4
23743-8
241
241-FOCUS
25552
2660
2673-TUNGSRAM
27445-6
288
288-LUCAS
33719
3796
3796-O
3796-OS
3796-OSRAM
53
53-643-BMC
53-BMC
53-BP
53-BP-EIKO
53-BULK
53-BULK-EIKO
53-EIKO
53-GE
53-LECTRA
53-LUGON
53/643-BMC
53GE
643
643-53-BMC
643-BMC
643-BTH
643-LUCAS
643-MAZDA
643-OSRAM
643-PHILIPS
643-USA
643/53-BMC
A121

1955-12-VOLT CIGAR-LIGHTER-LAMP Automobile
1955-12-VOLT IGNITION-SWITCH-LAMP Automobile
1955-12-VOLT INDICATOR-LAMP Automobile
1956-12-VOLT CIGAR-LIGHTER-LAMP Automobile
1956-12-VOLT IGNITION-SWITCH-LAMP Automobile
1956-12-VOLT INDICATOR-LAMP Automobile
1957-12-VOLT INDICATOR-LAMP Automobile
1957 CIGAR-LIGHTER-LAMP Automobile
1957 IGNITION-SWITCH-LAMP Automobile

Chrysler

1953-C-59 IGNITION-SWITCH-LAMP Automobile
1953-C59 IGNITION-SWITCH-LAMP Automobile
1954-1066 BRAKE-SIGNAL-LAMP Automobile
1954-1066 IGNITION-SWITCH-LAMP Automobile
1954-1066 RADIO-DIAL-LAMP Automobile
1954-12-VOLT-C-66 INDICATOR-LAMP Automobile
1954-12-VOLT-C-66 INSTRUMENT-PANEL-LAMP Automobile
1954-12-VOLT-C66 INDICATOR-LAMP Automobile
1954-12-VOLT-C66 INSTRUMENT-PANEL-LAMP Automobile
1955-12-VOLT-C-70 IGNITION-SWITCH-LAMP Automobile
1955-12-VOLT-C70 IGNITION-SWITCH-LAMP Automobile
1955-12-VOLT INDICATOR-LAMP Automobile

Consul

PRE-1958-12-VOLT INDICATOR-LAMP Automobile

Ford

1956-12-VOLT INSTRUMENT-PANEL-LAMP Automobile / Truck

FWD

1954-12-VOLT INSTRUMENT-PANEL-LAMP Automobile / Truck

GMC

1954-12-VOLT INSTRUMENT-PANEL-LAMP Automobile / Truck

Hendrickson

1950-12-VOLT INSTRUMENT-PANEL-LAMP Automobile / Truck
1951-12-VOLT DOME-LAMP Automobile / Truck
1951-12-VOLT INSTRUMENT-PANEL-LAMP Automobile / Truck
1952-12-VOLT DOME-LAMP Automobile / Truck
1952-12-VOLT INSTRUMENT-PANEL-LAMP Automobile / Truck
1953-12-VOLT DOME-LAMP Automobile / Truck
1953-12-VOLT INSTRUMENT-PANEL-LAMP Automobile / Truck

A71A
AB104
AGI-0514
AGI-0813
AGI-0814
AGI-1514/9
AM1104
AM1506
AO-0114
AO-0114-AIDLITE
AO-0515
AO-0515-AIDLITE
AO0114
AO0114-AIDLITE
AO0515
AO0515-AIDLITE
C53
CEC53
CM53
FOCUS-241
GE53
H122
LUCAS-643
MB-00530
MB00530
ML-53
ML53
ML53-AIDLITE
O-3796
OS3796
S53
STANLEY-121
T2W
T2W-ECE
TM-53
TM53

1954-12-VOLT DOME-LAMP Automobile / Truck
1954-12-VOLT INSTRUMENT-PANEL-LAMP Automobile / Truck
1955-12-VOLT DOME-LAMP Automobile / Truck
1955-12-VOLT INSTRUMENT-PANEL-LAMP Automobile / Truck
1956-12-VOLT DOME-LAMP Automobile / Truck
1956-12-VOLT INSTRUMENT-PANEL-LAMP Automobile / Truck

International

1942-12-VOLT INSTRUMENT-PANEL-LAMP Automobile / Truck
1946-12-VOLT INSTRUMENT-PANEL-LAMP Automobile / Truck
1947-12-VOLT INSTRUMENT-PANEL-LAMP Automobile / Truck
1948-12-VOLT INSTRUMENT-PANEL-LAMP Automobile / Truck
1949-12-VOLT INSTRUMENT-PANEL-LAMP Automobile / Truck
1953-12-VOLT INSTRUMENT-PANEL-LAMP Automobile / Truck
1954-12-VOLT INSTRUMENT-PANEL-LAMP Automobile / Truck
1955-12-VOLT INSTRUMENT-PANEL-LAMP Automobile / Truck
1956-12-VOLT INSTRUMENT-PANEL-LAMP Automobile / Truck
1957-12-VOLT INSTRUMENT-PANEL-LAMP Automobile / Truck

Oldsmobile

1953-12-VOLT INDICATOR-LAMP Automobile
1954-12-VOLT INDICATOR-LAMP Automobile
1955-12-VOLT INDICATOR-LAMP Automobile
1957 CIGAR-LIGHTER-LAMP Automobile

Packard

1955-12-VOLT IGNITION-SWITCH-LAMP Automobile
1955-12-VOLT INDICATOR-LAMP Automobile

Pontiac

1955-12-VOLT INDICATOR-LAMP Automobile
1956-12-VOLT IGNITION-SWITCH-LAMP Automobile
1957 IGNITION-SWITCH-LAMP Automobile

REO

1950-12-VOLT INSTRUMENT-PANEL-LAMP Automobile / Truck

Studebaker

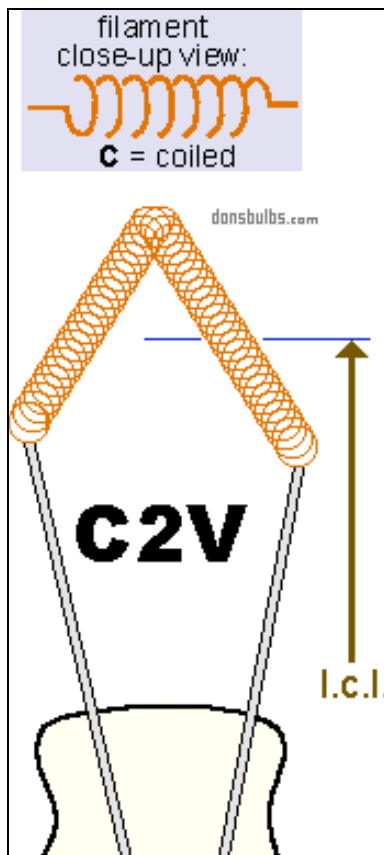
1956 INDICATOR-LAMP Automobile
1957 INDICATOR-LAMP Automobile

Zephyr

PRE-1958-12-VOLT INDICATOR-LAMP Automobile



usual shape of **G3-1/2** glass envelopes (not to scale)



Typical shape of **C2V** filament (not to scale)

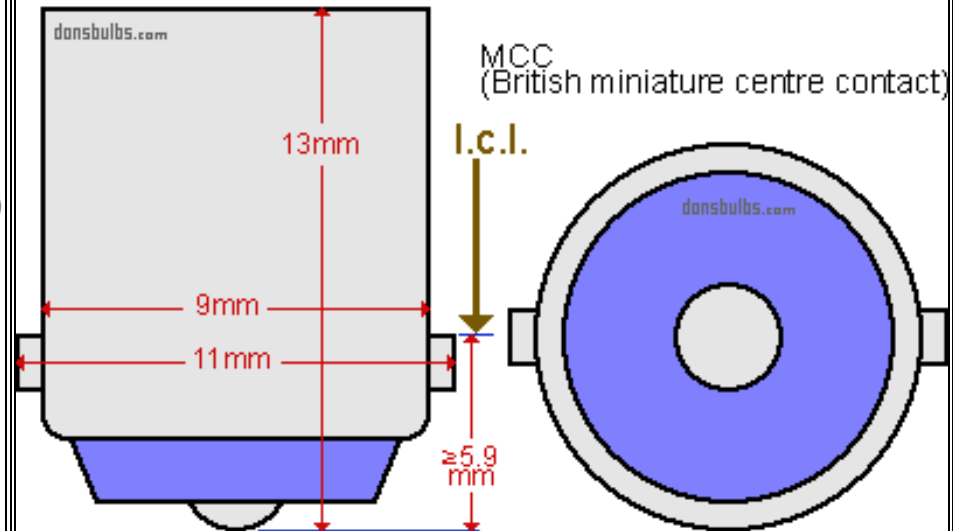
BA9s

miniature bayonet
SC miniature bayonet
single contact miniature bayonet

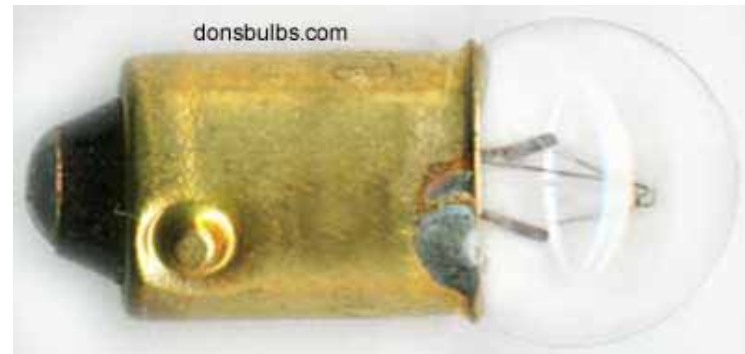
IEC7004-14
DIN49715

IEC7005-12
DIN49642T12

A18A
A18D
A18E
H
T2.3W
T4W



industry standards for base:
BA9s - Miniature Bayonet (not to scale)



typical photo of **53-USA** bulb type
(your bulb may look slightly different)

