

55 is known as: **55 USA** \$5.20

55 USA bulb specifications:

category: **MINIATURE**

volt: **6 - 8**

amp: **.4**

watt: **2.4 - 3.2**

base: **BA9s** - Miniature Bayonet

glass: **G4-1/2**

filament: **C2R**

fil.res.: **17.5** ohm

m.o.l.: **1.06** inches

l.c.l.: **.5** inches

i.lumens: **25.1**

cp: **2**

d.hours: **500**

notes:

aircraft lamp

automobile lamp

clear glass

dash lamp

FOR 12 VOLT USE: **57 USA**

FOR SUBSTITUTE USE: **44 USA**

FOR SUBSTITUTE USE: **51 USA**

indicator lamp

incandescent

instrument lamp

panel illumination

pilot light

warning lights

uses sockets: **DB-17-20**

DB-BA9S1

DB-BA9S2

55 USA also known as **Cross-Reference:**

6/2

6/2W

6V/2

6V/2W

6V2

6V2W

07-003-01

07-003-01 CANIMPEX

7V/0.41A/BA9S/G4.5/C2R

0311 AMERICAN-OPTICAL

0512 AMERICAN-OPTICAL

512 STANLEY

605 FOCUS

642 BTH

642 LUCAS

642 MAZDA

988

988 BMC

988 BTH

988 LUCAS

988 LUGON

988 MAZDA

988 PHILIPS

988 USA

2215 OSRAM

3872 OSRAM

5121 OSRAM

6240-00-012-5588

6910/P PHILIPS

6910P PHILIPS

25576

27457-1

33785

604000U MICROLAMP

1550944 GENERAL-

MOTORS

031293407665 EIKO

031293407672 EIKO

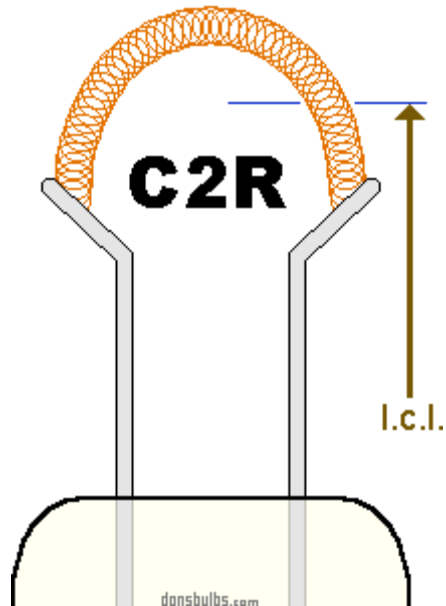
AB/301

AB/603

AB301

AB603

AGI/0511



typical shape of C2R filament (not to scale)

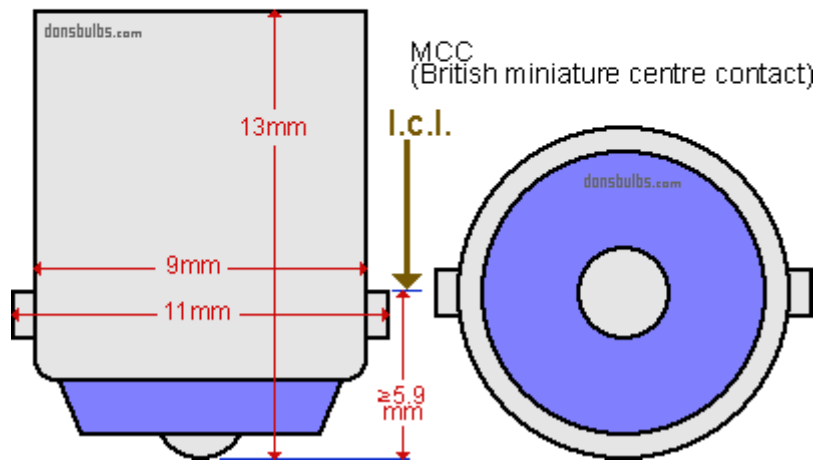
BA9s

miniature bayonet
SC miniature bayonet
single contact miniature bayonet

IEC7004-14
DIN49715

IEC7005-12
DIN49642T12

A18A
A18D
A18E
H
T2.3W
T4W



industry standards for base: BA9s - Miniature Bayonet
(not to scale)

AGI/0511/9
AGI/0512
AGI/0512/9
AGI/0513
AGI/1011
AGI/1513-9
AGI0511
AGI0511/9
AGI0512
AGI0512/9
AGI0513
AGI1011
AGI1513-9
AM/1301
AM/1503
AM1301
AM1503
AO/0311 AIDLITE
AO/0311 AMERICAN-
OPTICAL
AO/0512 AIDLITE
AO/0512 AMERICAN-
OPTICAL
AO0311 AIDLITE
AO0311 AMERICAN-
OPTICAL
AO0512 AIDLITE
AO0512 AMERICAN-
OPTICAL
L55 AC/DELCO
M/813 CNS
M813 CNS
MB/00550
MB/69100
MB00550
MB69100
ML/55 AIDLITE
ML55 AIDLITE

55 USA have been found in equipment:

Allstate

1952 INSTRUMENT-PANEL-LAMP Automobile
1953 INSTRUMENT-PANEL-LAMP Automobile

Atari

PINBALL Coin-Op

Autocar

1942-6-VOLT-CABOVER-ENGINE PARKING-LAMP Automobile / Truck
1942-6-VOLT-CONVENTIONAL INSTRUMENT-PANEL-LAMP Automobile / Truck
1946-6-VOLT INSTRUMENT-PANEL-LAMP Automobile / Truck
1946-6-VOLT PARKING-LAMP Automobile / Truck
1947-6-VOLT INSTRUMENT-PANEL-LAMP Automobile / Truck
1947-6-VOLT PARKING-LAMP Automobile / Truck
1948-6-VOLT INSTRUMENT-PANEL-LAMP Automobile / Truck
1948-6-VOLT PARKING-LAMP Automobile / Truck
1949-6-VOLT INSTRUMENT-PANEL-LAMP Automobile / Truck
1949-6-VOLT PARKING-LAMP Automobile / Truck
1950-6-VOLT INSTRUMENT-PANEL-LAMP Automobile / Truck
1950-6-VOLT PARKING-LAMP Automobile / Truck
1952-DIESEL-6-VOLT INSTRUMENT-PANEL-LAMP Automobile / Truck
1952-DIESEL-6-VOLT PARKING-LAMP Automobile / Truck
1952-GAS-6-VOLT INSTRUMENT-PANEL-LAMP Automobile / Truck
1952-GAS-6-VOLT PARKING-LAMP Automobile / Truck

Bally

PINBALL Coin-Op

Brockway

1951-6-VOLT INSTRUMENT-PANEL-LAMP Automobile / Truck
1952-6-VOLT INSTRUMENT-PANEL-LAMP Automobile / Truck
1953-6-VOLT INSTRUMENT-PANEL-LAMP Automobile / Truck
1954-6-VOLT INSTRUMENT-PANEL-LAMP Automobile / Truck
1955-6-VOLT INSTRUMENT-PANEL-LAMP Automobile / Truck
1956-6-VOLT INSTRUMENT-PANEL-LAMP Automobile / Truck
1957-6-VOLT INSTRUMENT-PANEL-LAMP Automobile / Truck

Buick

1937 INSTRUMENT-PANEL-LAMP Automobile
1937 PARKING-LAMP Automobile
1938 INSTRUMENT-PANEL-LAMP Automobile
1938 PARKING-LAMP Automobile
1939 INSTRUMENT-PANEL-LAMP Automobile
1939 PARKING-LAMP Automobile
1940 INSTRUMENT-PANEL-LAMP Automobile
1941 INSTRUMENT-PANEL-LAMP Automobile
1942 INSTRUMENT-PANEL-LAMP Automobile
1946-SERIES-40 INSTRUMENT-PANEL-LAMP Automobile
1946-SERIES-50 INSTRUMENT-PANEL-LAMP Automobile
1946-SERIES-70 INSTRUMENT-PANEL-LAMP Automobile
1947-SERIES-40 INSTRUMENT-PANEL-LAMP Automobile
1947-SERIES-50 INSTRUMENT-PANEL-LAMP Automobile
1947-SERIES-70 INSTRUMENT-PANEL-LAMP Automobile
1948-SERIES-40 INSTRUMENT-PANEL-LAMP Automobile
1948-SERIES-50 INSTRUMENT-PANEL-LAMP Automobile
1948-SERIES-70 INSTRUMENT-PANEL-LAMP Automobile

1949-SERIES-40 INSTRUMENT-PANEL-LAMP Automobile
1949-SERIES-50 INSTRUMENT-PANEL-LAMP Automobile
1949-SERIES-70 INSTRUMENT-PANEL-LAMP Automobile
1950 INSTRUMENT-PANEL-LAMP Automobile
1951-SERIES-40 INSTRUMENT-PANEL-LAMP Automobile
1951-SERIES-50 INSTRUMENT-PANEL-LAMP Automobile
1951-SERIES-70 INSTRUMENT-PANEL-LAMP Automobile
1952-SERIES-40 INSTRUMENT-PANEL-LAMP Automobile
1952-SERIES-50 INDICATOR-LAMP Automobile
1952-SERIES-50 INSTRUMENT-PANEL-LAMP Automobile
1952-SERIES-70 INDICATOR-LAMP Automobile
1952-SERIES-70 INSTRUMENT-PANEL-LAMP Automobile
1953-SERIES-40 BRAKE-SIGNAL-LAMP Automobile
1953-SERIES-40 CLOCK-LAMP Automobile
1953-SERIES-40 GLOVE-BOX-LAMP Automobile
1953-SERIES-40 INDICATOR-LAMP Automobile
1953-SERIES-40 INSTRUMENT-PANEL-LAMP Automobile
1953-SERIES-40 MAP-LAMP Automobile
1953-SERIES-40 RADIO-DIAL-LAMP Automobile

Cadillac

1937 INSTRUMENT-PANEL-LAMP Automobile
1937 PARKING-LAMP Automobile
1938 PARKING-LAMP Automobile
1940 INSTRUMENT-PANEL-LAMP Automobile
1941 INSTRUMENT-PANEL-LAMP Automobile
1942 INSTRUMENT-PANEL-LAMP Automobile
1946 INSTRUMENT-PANEL-LAMP Automobile
1947 INSTRUMENT-PANEL-LAMP Automobile
1948 INSTRUMENT-PANEL-LAMP Automobile
1949 INSTRUMENT-PANEL-LAMP Automobile
1950 INDICATOR-LAMP Automobile
1950 INSTRUMENT-PANEL-LAMP Automobile
1951 INDICATOR-LAMP Automobile
1951 INSTRUMENT-PANEL-LAMP Automobile
1952 INDICATOR-LAMP Automobile
1952 INSTRUMENT-PANEL-LAMP Automobile

Checker Cab

1948 INSTRUMENT-PANEL-LAMP Automobile / Truck
1949 INSTRUMENT-PANEL-LAMP Automobile / Truck
1950 INSTRUMENT-PANEL-LAMP Automobile / Truck
1951 INSTRUMENT-PANEL-LAMP Automobile / Truck
1952 INSTRUMENT-PANEL-LAMP Automobile / Truck
1953 INSTRUMENT-PANEL-LAMP Automobile / Truck
1954 INSTRUMENT-PANEL-LAMP Automobile / Truck
1955 INSTRUMENT-PANEL-LAMP Automobile / Truck

Chevrolet

1937 INSTRUMENT-PANEL-LAMP Automobile
1937 PARKING-LAMP Automobile

1938 INSTRUMENT-PANEL-LAMP Automobile
1938 PARKING-LAMP Automobile
1939-COACH INSTRUMENT-PANEL-LAMP Automobile
1939-COACH PARKING-LAMP Automobile
1939-SEDAN INSTRUMENT-PANEL-LAMP Automobile
1939-SEDAN PARKING-LAMP Automobile
1939 INSTRUMENT-PANEL-LAMP Automobile
1939 PARKING-LAMP Automobile
1940 INSTRUMENT-PANEL-LAMP Automobile / Truck
1941 INSTRUMENT-PANEL-LAMP Automobile / Truck
1942 INSTRUMENT-PANEL-LAMP Automobile / Truck
1946 INSTRUMENT-PANEL-LAMP Automobile / Truck
1946 PARKING-LAMP Automobile / Truck
1947-1-TON INSTRUMENT-PANEL-LAMP Automobile / Truck
1947-1/2-TON INSTRUMENT-PANEL-LAMP Automobile / Truck
1947-1/2TON INSTRUMENT-PANEL-LAMP Automobile / Truck
1947-1TON INSTRUMENT-PANEL-LAMP Automobile / Truck
1947 INSTRUMENT-PANEL-LAMP Automobile / Truck
1948-1-TON INSTRUMENT-PANEL-LAMP Automobile / Truck
1948-1/2-TON INSTRUMENT-PANEL-LAMP Automobile / Truck
1948-1/2TON INSTRUMENT-PANEL-LAMP Automobile / Truck
1948-1TON INSTRUMENT-PANEL-LAMP Automobile / Truck
1948 INSTRUMENT-PANEL-LAMP Automobile / Truck
1949-1-TON INSTRUMENT-PANEL-LAMP Automobile / Truck
1949-1/2-TON INSTRUMENT-PANEL-LAMP Automobile / Truck
1949-1/2TON INSTRUMENT-PANEL-LAMP Automobile / Truck
1949-1TON INSTRUMENT-PANEL-LAMP Automobile / Truck
1949 INSTRUMENT-PANEL-LAMP Automobile / Truck
1950-1-TON INSTRUMENT-PANEL-LAMP Automobile / Truck
1950-1/2-TON INSTRUMENT-PANEL-LAMP Automobile / Truck
1950-1/2TON INSTRUMENT-PANEL-LAMP Automobile / Truck
1950-1TON INSTRUMENT-PANEL-LAMP Automobile / Truck
1950 INSTRUMENT-PANEL-LAMP Automobile / Truck
1951-1-TON INSTRUMENT-PANEL-LAMP Automobile / Truck
1951-1/2-TON INSTRUMENT-PANEL-LAMP Automobile / Truck
1951-1/2TON INSTRUMENT-PANEL-LAMP Automobile / Truck
1951-1TON INSTRUMENT-PANEL-LAMP Automobile / Truck
1951 INSTRUMENT-PANEL-LAMP Automobile / Truck
1952-1-TON INSTRUMENT-PANEL-LAMP Automobile / Truck
1952-1/2-TON INSTRUMENT-PANEL-LAMP Automobile / Truck
1952-1/2TON INSTRUMENT-PANEL-LAMP Automobile / Truck
1952-1TON INSTRUMENT-PANEL-LAMP Automobile / Truck
1952 INSTRUMENT-PANEL-LAMP Automobile / Truck
1953-1-1/2-TON INSTRUMENT-PANEL-LAMP Automobile / Truck
1953-1-1/2TON INSTRUMENT-PANEL-LAMP Automobile / Truck
1953-1-TON INSTRUMENT-PANEL-LAMP Automobile / Truck
1953-1/2-TON INSTRUMENT-PANEL-LAMP Automobile / Truck
1953-1/2TON INSTRUMENT-PANEL-LAMP Automobile / Truck

1953-1TON INSTRUMENT-PANEL-LAMP Automobile / Truck
1953-2-TON INSTRUMENT-PANEL-LAMP Automobile / Truck
1953-2TON INSTRUMENT-PANEL-LAMP Automobile / Truck
1953-3/4-TON INSTRUMENT-PANEL-LAMP Automobile / Truck
1953-3/4TON INSTRUMENT-PANEL-LAMP Automobile / Truck
1953 GLOVE-BOX-LAMP Automobile
1953 INSTRUMENT-PANEL-LAMP Automobile
1953 RADIO-DIAL-LAMP Automobile
1954-1-TON INSTRUMENT-PANEL-LAMP Automobile / Truck
1954-1/2-TON INSTRUMENT-PANEL-LAMP Automobile / Truck
1954-1/2TON INSTRUMENT-PANEL-LAMP Automobile / Truck
1954-1TON INSTRUMENT-PANEL-LAMP Automobile / Truck
1954 GLOVE-BOX-LAMP Automobile
1954 INSTRUMENT-PANEL-LAMP Automobile / Truck
1954 RADIO-DIAL-LAMP Automobile
1955-1-TON INSTRUMENT-PANEL-LAMP Automobile / Truck
1955-1/2-TON INSTRUMENT-PANEL-LAMP Automobile / Truck
1955-1/2TON INSTRUMENT-PANEL-LAMP Automobile / Truck
1955-1TON INSTRUMENT-PANEL-LAMP Automobile / Truck
1955 INSTRUMENT-PANEL-LAMP Automobile / Truck

Chicago Coin

PINBALL Coin-Op

Chrysler

1937-C-17 INDICATOR-LAMP Automobile
1937-C-17 INSTRUMENT-PANEL-LAMP Automobile
1937-C-17 PARKING-LAMP Automobile
1937-C17 INDICATOR-LAMP Automobile
1937-C17 INSTRUMENT-PANEL-LAMP Automobile
1937-C17 PARKING-LAMP Automobile
1937 INDICATOR-LAMP Automobile
1937 INSTRUMENT-PANEL-LAMP Automobile
1937 PARKING-LAMP Automobile
1938 INDICATOR-LAMP Automobile
1938 INSTRUMENT-PANEL-LAMP Automobile
1938 PARKING-LAMP Automobile
1939 INDICATOR-LAMP Automobile
1939 INSTRUMENT-PANEL-LAMP Automobile
1939 PARKING-LAMP Automobile
1940 INSTRUMENT-PANEL-LAMP Automobile
1940 PARKING-LAMP Automobile
1941 INSTRUMENT-PANEL-LAMP Automobile
1949 INSTRUMENT-PANEL-LAMP Automobile
1950 INSTRUMENT-PANEL-LAMP Automobile
1951 INDICATOR-LAMP Automobile
1951 INSTRUMENT-PANEL-LAMP Automobile
1952 INDICATOR-LAMP Automobile
1952 INSTRUMENT-PANEL-LAMP Automobile
1953-C-56,58,66 GLOVE-BOX-LAMP Automobile

1953-C56,58,66 GLOVE-BOX-LAMP Automobile
1953 INDICATOR-LAMP Automobile
1953 INSTRUMENT-PANEL-LAMP Automobile
1954-C-62,63,64 CLOCK-LAMP Automobile
1954-C-62,63,64 GLOVE-BOX-LAMP Automobile
1954-C62,63,64 CLOCK-LAMP Automobile
1954-C62,63,64 GLOVE-BOX-LAMP Automobile
1954 INDICATOR-LAMP Automobile
1954 INSTRUMENT-PANEL-LAMP Automobile
1955-6-VOLT-C-67,68,69 CLOCK-LAMP Automobile
1955-6-VOLT-C-67,68,69 GLOVE-BOX-LAMP Automobile
1955-6-VOLT-C67,68,69 CLOCK-LAMP Automobile
1955-6-VOLT-C67,68,69 GLOVE-BOX-LAMP Automobile
1955 INDICATOR-LAMP Automobile
1955 INSTRUMENT-PANEL-LAMP Automobile

Corbitt

1951-6-VOLT PARKING-LAMP Automobile / Truck
1952-6-VOLT PARKING-LAMP Automobile / Truck

Crosley

1940 INSTRUMENT-PANEL-LAMP Automobile
1940 PARKING-LAMP Automobile
1948 INSTRUMENT-PANEL-LAMP Automobile
1948 PARKING-LAMP Automobile
1949-SEDAN, CONVERTABLE INDICATOR-LAMP Automobile
1949-SEDAN, CONVERTABLE INSTRUMENT-PANEL-LAMP Automobile
1949-STATION-WAGON INDICATOR-LAMP Automobile
1949-STATION-WAGON INSTRUMENT-PANEL-LAMP Automobile
1949-STATION-WAGON PARKING-LAMP Automobile
1950 INDICATOR-LAMP Automobile
1950 INSTRUMENT-PANEL-LAMP Automobile
1952 INDICATOR-LAMP Automobile
1952 INSTRUMENT-PANEL-LAMP Automobile

Data East

PINBALL Coin-Op

Daval

PINBALL Coin-Op

Desoto

1937 INDICATOR-LAMP Automobile
1937 INSTRUMENT-PANEL-LAMP Automobile
1937 PARKING-LAMP Automobile
1938 INDICATOR-LAMP Automobile
1938 INSTRUMENT-PANEL-LAMP Automobile
1938 PARKING-LAMP Automobile
1940 INSTRUMENT-PANEL-LAMP Automobile
1940 PARKING-LAMP Automobile
1941 INSTRUMENT-PANEL-LAMP Automobile
1941 PARKING-LAMP Automobile
1942 INSTRUMENT-PANEL-LAMP Automobile

1949 INSTRUMENT-PANEL-LAMP Automobile
1950 INSTRUMENT-PANEL-LAMP Automobile
1951 INDICATOR-LAMP Automobile
1951 INSTRUMENT-PANEL-LAMP Automobile
1952 INDICATOR-LAMP Automobile
1952 INSTRUMENT-PANEL-LAMP Automobile
1953 INDICATOR-LAMP Automobile
1953 INSTRUMENT-PANEL-LAMP Automobile
1954 CLOCK-LAMP Automobile
1954 IGNITION-SWITCH-LAMP Automobile
1954 INDICATOR-LAMP Automobile
1954 INSTRUMENT-PANEL-LAMP Automobile
1955-6-VOLT CLOCK-LAMP Automobile
1955-6-VOLT GLOVE-BOX-LAMP Automobile
1955 INDICATOR-LAMP Automobile
1955 INSTRUMENT-PANEL-LAMP Automobile

Diamond T

1944-6-VOLT INSTRUMENT-PANEL-LAMP Automobile / Truck
1944-6-VOLT PARKING-LAMP Automobile / Truck
1945-6-VOLT INSTRUMENT-PANEL-LAMP Automobile / Truck
1945-6-VOLT PARKING-LAMP Automobile / Truck
1946-6-VOLT INSTRUMENT-PANEL-LAMP Automobile / Truck
1946-6-VOLT PARKING-LAMP Automobile / Truck
1947-6-VOLT INSTRUMENT-PANEL-LAMP Automobile / Truck
1947-6-VOLT PARKING-LAMP Automobile / Truck
1948-6-VOLT INSTRUMENT-PANEL-LAMP Automobile / Truck
1948-6-VOLT PARKING-LAMP Automobile / Truck
1949-6-VOLT INSTRUMENT-PANEL-LAMP Automobile / Truck
1949-6-VOLT PARKING-LAMP Automobile / Truck
1950-6-VOLT INSTRUMENT-PANEL-LAMP Automobile / Truck
1951-6-VOLT INSTRUMENT-PANEL-LAMP Automobile / Truck
1952-6-VOLT INSTRUMENT-PANEL-LAMP Automobile / Truck
1953-6-VOLT INSTRUMENT-PANEL-LAMP Automobile / Truck
1954-6-VOLT INSTRUMENT-PANEL-LAMP Automobile / Truck
1955-6-VOLT INSTRUMENT-PANEL-LAMP Automobile / Truck
1956-6-VOLT INSTRUMENT-PANEL-LAMP Automobile / Truck
1957-6-VOLT INSTRUMENT-PANEL-LAMP Automobile / Truck

Divco

1954 INSTRUMENT-PANEL-LAMP Automobile / Truck
1955 INSTRUMENT-PANEL-LAMP Automobile / Truck
1956 INSTRUMENT-PANEL-LAMP Automobile / Truck
1957 INSTRUMENT-PANEL-LAMP Automobile / Truck

Dodge

1936 INDICATOR-LAMP Automobile
1936 INSTRUMENT-PANEL-LAMP Automobile
1936 PARKING-LAMP Automobile
1938 INDICATOR-LAMP Automobile
1938 INSTRUMENT-PANEL-LAMP Automobile

1938 PARKING-LAMP Automobile
1939 INSTRUMENT-PANEL-LAMP Automobile
1939 PARKING-LAMP Automobile
1940 INSTRUMENT-PANEL-LAMP Automobile
1940 PARKING-LAMP Automobile
1941 INSTRUMENT-PANEL-LAMP Automobile / Truck
1941 PARKING-LAMP Automobile / Truck
1942 INSTRUMENT-PANEL-LAMP Automobile / Truck
1946 INSTRUMENT-PANEL-LAMP Automobile / Truck
1947 INSTRUMENT-PANEL-LAMP Automobile / Truck
1948 INSTRUMENT-PANEL-LAMP Automobile / Truck
1949 INSTRUMENT-PANEL-LAMP Automobile / Truck
1950 INSTRUMENT-PANEL-LAMP Automobile / Truck
1951 INDICATOR-LAMP Automobile
1951 INSTRUMENT-PANEL-LAMP Automobile / Truck
1952 INDICATOR-LAMP Automobile
1952 INSTRUMENT-PANEL-LAMP Automobile / Truck
1953 GLOVE-BOX-LAMP Automobile
1953 INDICATOR-LAMP Automobile
1953 INSTRUMENT-PANEL-LAMP Automobile / Truck
1954 CLOCK-LAMP Automobile
1954 GLOVE-BOX-LAMP Automobile
1954 INDICATOR-LAMP Automobile
1954 INSTRUMENT-PANEL-LAMP Automobile / Truck
1955-6-VOLT CLOCK-LAMP Automobile
1955-6-VOLT GLOVE-BOX-LAMP Automobile
1955 INDICATOR-LAMP Automobile
1955 INSTRUMENT-PANEL-LAMP Automobile / Truck

Duplex

1952-6-VOLT INSTRUMENT-PANEL-LAMP Automobile / Truck
1953-6-VOLT INSTRUMENT-PANEL-LAMP Automobile / Truck
1954-6-VOLT INSTRUMENT-PANEL-LAMP Automobile / Truck
1955-6-VOLT INSTRUMENT-PANEL-LAMP Automobile / Truck

Federal Manufacturing Engineering Corporation

1942-6-VOLT INSTRUMENT-PANEL-LAMP Automobile / Truck
1944-6-VOLT INSTRUMENT-PANEL-LAMP Automobile / Truck
1944-6-VOLT PARKING-LAMP Automobile / Truck
1945-6-VOLT INSTRUMENT-PANEL-LAMP Automobile / Truck
1945-6-VOLT PARKING-LAMP Automobile / Truck
1946-6-VOLT INSTRUMENT-PANEL-LAMP Automobile / Truck
1946-6-VOLT PARKING-LAMP Automobile / Truck
1947-6-VOLT INSTRUMENT-PANEL-LAMP Automobile / Truck
1947-6-VOLT PARKING-LAMP Automobile / Truck
1948-6-VOLT INSTRUMENT-PANEL-LAMP Automobile / Truck
1948-6-VOLT PARKING-LAMP Automobile / Truck
1949-6-VOLT INSTRUMENT-PANEL-LAMP Automobile / Truck
1949-6-VOLT PARKING-LAMP Automobile / Truck
1950-6-VOLT INSTRUMENT-PANEL-LAMP Automobile / Truck

1950-6-VOLT PARKING-LAMP Automobile / Truck
1951-6-VOLT-STYLELINERS INSTRUMENT-PANEL-LAMP Automobile / Truck
1951-6-VOLT INSTRUMENT-PANEL-LAMP Automobile / Truck
1951-6-VOLT PARKING-LAMP Automobile / Truck
1952-6-VOLT-STYLELINERS INSTRUMENT-PANEL-LAMP Automobile / Truck
1952-6-VOLT INSTRUMENT-PANEL-LAMP Automobile / Truck
1952-6-VOLT PARKING-LAMP Automobile / Truck
1953-6-VOLT-STYLELINERS INSTRUMENT-PANEL-LAMP Automobile / Truck
1953-6-VOLT INSTRUMENT-PANEL-LAMP Automobile / Truck
1953-6-VOLT PARKING-LAMP Automobile / Truck
1954-6-VOLT-STYLELINERS INSTRUMENT-PANEL-LAMP Automobile / Truck
1954-6-VOLT INSTRUMENT-PANEL-LAMP Automobile / Truck
1954-6-VOLT PARKING-LAMP Automobile / Truck
1955-6-VOLT-STYLELINERS INSTRUMENT-PANEL-LAMP Automobile / Truck
1955-6-VOLT INSTRUMENT-PANEL-LAMP Automobile / Truck
1955-6-VOLT PARKING-LAMP Automobile / Truck

Ford

1937 LICENSE-PLATE-LAMP Automobile
1937 PARKING-LAMP Automobile
1938 LICENSE-PLATE-LAMP Automobile
1938 PARKING-LAMP Automobile
1939 LICENSE-PLATE-LAMP Automobile
1939 PARKING-LAMP Automobile
1940 PARKING-LAMP Automobile / Truck
1941 INSTRUMENT-PANEL-LAMP Automobile / Truck
1941 PARKING-LAMP Automobile / Truck
1942 PARKING-LAMP Automobile / Truck
1946 INSTRUMENT-PANEL-LAMP Automobile / Truck
1946 PARKING-LAMP Automobile / Truck
1947 INSTRUMENT-PANEL-LAMP Automobile / Truck
1947 PARKING-LAMP Automobile / Truck
1948-6-VOLT INSTRUMENT-PANEL-LAMP Automobile / Truck
1948 INDICATOR-LAMP Automobile
1948 INSTRUMENT-PANEL-LAMP Automobile
1949-6-VOLT INSTRUMENT-PANEL-LAMP Automobile / Truck
1949 INDICATOR-LAMP Automobile
1949 INSTRUMENT-PANEL-LAMP Automobile
1950-6-VOLT INSTRUMENT-PANEL-LAMP Automobile / Truck
1950 INDICATOR-LAMP Automobile
1950 INSTRUMENT-PANEL-LAMP Automobile
1951-6-VOLT INSTRUMENT-PANEL-LAMP Automobile / Truck
1951 INDICATOR-LAMP Automobile
1951 INSTRUMENT-PANEL-LAMP Automobile
1952-6-VOLT INSTRUMENT-PANEL-LAMP Automobile / Truck
1952 INDICATOR-LAMP Automobile
1952 INSTRUMENT-PANEL-LAMP Automobile
1953-PANEL,PARCEL-DELIVERY INSTRUMENT-PANEL-LAMP Automobile / Truck
1953 BRAKE-SIGNAL-LAMP Automobile

1953 CLOCK-LAMP Automobile
1953 GLOVE-BOX-LAMP Automobile
1953 IGNITION-SWITCH-LAMP Automobile
1953 INDICATOR-LAMP Automobile
1953 INSTRUMENT-PANEL-LAMP Automobile / Truck
1953 RADIO-DIAL-LAMP Automobile
1954 BRAKE-SIGNAL-LAMP Automobile
1954 CLOCK-LAMP Automobile
1954 GLOVE-BOX-LAMP Automobile
1954 IGNITION-SWITCH-LAMP Automobile
1954 INDICATOR-LAMP Automobile
1954 INSTRUMENT-PANEL-LAMP Automobile / Truck
1954 RADIO-DIAL-LAMP Automobile
1955-6-VOLT BRAKE-SIGNAL-LAMP Automobile
1955-6-VOLT CLOCK-LAMP Automobile
1955-6-VOLT GLOVE-BOX-LAMP Automobile
1955-6-VOLT RADIO-DIAL-LAMP Automobile
1955 INDICATOR-LAMP Automobile
1955 INSTRUMENT-PANEL-LAMP Automobile / Truck

Frazer

1947 INSTRUMENT-PANEL-LAMP Automobile
1948 INSTRUMENT-PANEL-LAMP Automobile
1949 INDICATOR-LAMP Automobile
1949 INSTRUMENT-PANEL-LAMP Automobile
1951 INSTRUMENT-PANEL-LAMP Automobile

FWD

1953-6-VOLT PARKING-LAMP Automobile / Truck
1954-6-VOLT PARKING-LAMP Automobile / Truck

GM Laboratories Incorporated

PINBALL Coin-Op

GMC

1940 INSTRUMENT-PANEL-LAMP Automobile / Truck
1941 INSTRUMENT-PANEL-LAMP Automobile / Truck
1942-500,890;EFP-240 PARKING-LAMP Automobile / Truck
1942-500,890;EFP240 PARKING-LAMP Automobile / Truck
1946-500,890;EFP-240 PARKING-LAMP Automobile / Truck
1946-500,890;EFP240 PARKING-LAMP Automobile / Truck
1947-500,890;EFP-240 PARKING-LAMP Automobile / Truck
1947-500,890;EFP240 PARKING-LAMP Automobile / Truck
1948-500,890;EFP-240 PARKING-LAMP Automobile / Truck
1948-500,890;EFP240 PARKING-LAMP Automobile / Truck
1949-FC,FF INSTRUMENT-PANEL-LAMP Automobile / Truck
1950-FC,FCS,FP,HCS-400,HCW-400 INSTRUMENT-PANEL-LAMP Automobile / Truck
1950-FC,FCS,FP,HCS400,HCW400 INSTRUMENT-PANEL-LAMP Automobile / Truck
1950-HC-450,470,HCS-450,HF-450,470,FF INSTRUMENT-PANEL-LAMP Automobile / Truck
1950-HC450,470,HCS450,HF450,470,FF INSTRUMENT-PANEL-LAMP Automobile / Truck
1950-SOME-HC,HCW,HF INSTRUMENT-PANEL-LAMP Automobile / Truck
1950-SOME-HC,HCW,HF PARKING-LAMP Automobile / Truck

1951-FC,FCS,FP,HCS-400,HCW-400 INSTRUMENT-PANEL-LAMP Automobile / Truck
1951-FC,FCS,FP,HCS400,HCW400 INSTRUMENT-PANEL-LAMP Automobile / Truck
1951-HC-450,470,HCS-450,HF-450,470,FF INSTRUMENT-PANEL-LAMP Automobile / Truck
1951-HC450,470,HCS450,HF450,470,FF INSTRUMENT-PANEL-LAMP Automobile / Truck
1951-SOME-HC,HCW,HF INSTRUMENT-PANEL-LAMP Automobile / Truck
1951-SOME-HC,HCW,HF PARKING-LAMP Automobile / Truck
1952-FC,FCS,FP,HCS-400,HCW-400 INSTRUMENT-PANEL-LAMP Automobile / Truck
1952-FC,FCS,FP,HCS400,HCW400 INSTRUMENT-PANEL-LAMP Automobile / Truck
1952-HC-450,470,HCS-450,HF-450,470,FF INSTRUMENT-PANEL-LAMP Automobile / Truck
1952-HC450,470,HCS450,HF450,470,FF INSTRUMENT-PANEL-LAMP Automobile / Truck
1952-SOME-HC,HCW,HF INSTRUMENT-PANEL-LAMP Automobile / Truck
1952-SOME-HC,HCW,HF PARKING-LAMP Automobile / Truck
1953-FC,FCS,FP,HCS-400,HCW-400 INSTRUMENT-PANEL-LAMP Automobile / Truck
1953-FC,FCS,FP,HCS400,HCW400 INSTRUMENT-PANEL-LAMP Automobile / Truck
1953-HC-450,470,HCS-450,HF-450,470,FF INSTRUMENT-PANEL-LAMP Automobile / Truck
1953-HC450,470,HCS450,HF450,470,FF INSTRUMENT-PANEL-LAMP Automobile / Truck
1953-SOME-HC,HCW,HF INSTRUMENT-PANEL-LAMP Automobile / Truck
1953-SOME-HC,HCW,HF PARKING-LAMP Automobile / Truck
1954-6-VOLT INSTRUMENT-PANEL-LAMP Automobile / Truck
1955-6-VOLT INSTRUMENT-PANEL-LAMP Automobile / Truck

Gottlieb

PINBALL Coin-Op

Graham

1938 PARKING-LAMP Automobile
1939 INDICATOR-LAMP Automobile
1939 PARKING-LAMP Automobile
1940 PARKING-LAMP Automobile
1941 PARKING-LAMP Automobile

Hahn

1942-6-VOLT PARKING-LAMP Automobile / Truck
1946-6-VOLT PARKING-LAMP Automobile / Truck
1947-6-VOLT PARKING-LAMP Automobile / Truck
1948-6-VOLT PARKING-LAMP Automobile / Truck
1949-6-VOLT PARKING-LAMP Automobile / Truck
1950-6-VOLT PARKING-LAMP Automobile / Truck

Hendrickson

1950-6-VOLT INSTRUMENT-PANEL-LAMP Automobile / Truck
1951-6-VOLT DOME-LAMP Automobile / Truck
1951-6-VOLT INSTRUMENT-PANEL-LAMP Automobile / Truck
1952-6-VOLT DOME-LAMP Automobile / Truck
1952-6-VOLT INSTRUMENT-PANEL-LAMP Automobile / Truck
1953-6-VOLT DOME-LAMP Automobile / Truck
1953-6-VOLT INSTRUMENT-PANEL-LAMP Automobile / Truck
1954-6-VOLT DOME-LAMP Automobile / Truck
1954-6-VOLT INSTRUMENT-PANEL-LAMP Automobile / Truck
1955-6-VOLT DOME-LAMP Automobile / Truck
1955-6-VOLT INSTRUMENT-PANEL-LAMP Automobile / Truck
1956-6-VOLT DOME-LAMP Automobile / Truck

1956-6-VOLT INSTRUMENT-PANEL-LAMP Automobile / Truck

Henry J

1951 INSTRUMENT-PANEL-LAMP Automobile
1952 INSTRUMENT-PANEL-LAMP Automobile
1953-533 INSTRUMENT-PANEL-LAMP Automobile
1953-534 INSTRUMENT-PANEL-LAMP Automobile
1953 CLOCK-LAMP Automobile

Hudson

1937 INSTRUMENT-PANEL-LAMP Automobile
1937 PARKING-LAMP Automobile
1938 INSTRUMENT-PANEL-LAMP Automobile
1938 PARKING-LAMP Automobile
1939 INSTRUMENT-PANEL-LAMP Automobile
1939 PARKING-LAMP Automobile
1940 INSTRUMENT-PANEL-LAMP Automobile
1940 PARKING-LAMP Automobile
1941 INSTRUMENT-PANEL-LAMP Automobile
1941 PARKING-LAMP Automobile
1942 INSTRUMENT-PANEL-LAMP Automobile
1942 PARKING-LAMP Automobile
1946 INSTRUMENT-PANEL-LAMP Automobile
1947 INSTRUMENT-PANEL-LAMP Automobile
1948-COMMODORE INDICATOR-LAMP Automobile
1948-COMMODORE INSTRUMENT-PANEL-LAMP Automobile
1948-SUPER INDICATOR-LAMP Automobile
1948-SUPER INSTRUMENT-PANEL-LAMP Automobile
1949-COMMODORE INDICATOR-LAMP Automobile
1949-COMMODORE INSTRUMENT-PANEL-LAMP Automobile
1949-SUPER INDICATOR-LAMP Automobile
1949-SUPER INSTRUMENT-PANEL-LAMP Automobile
1950-COMMODORE INDICATOR-LAMP Automobile
1950-COMMODORE INSTRUMENT-PANEL-LAMP Automobile
1950-SUPER INDICATOR-LAMP Automobile
1950-SUPER INSTRUMENT-PANEL-LAMP Automobile
1951-COMMODORE INDICATOR-LAMP Automobile
1951-COMMODORE INSTRUMENT-PANEL-LAMP Automobile
1951-SUPER INDICATOR-LAMP Automobile
1951-SUPER INSTRUMENT-PANEL-LAMP Automobile
1952 INDICATOR-LAMP Automobile
1952 INSTRUMENT-PANEL-LAMP Automobile
1953 CLOCK-LAMP Automobile
1953 GLOVE-BOX-LAMP Automobile
1953 IGNITION-SWITCH-LAMP Automobile
1953 INDICATOR-LAMP Automobile
1953 INSTRUMENT-PANEL-LAMP Automobile
1954 CLOCK-LAMP Automobile
1954 GLOVE-BOX-LAMP Automobile
1954 IGNITION-SWITCH-LAMP Automobile

1954 INDICATOR-LAMP Automobile
1954 INSTRUMENT-PANEL-LAMP Automobile
1955 INDICATOR-LAMP Automobile
1955 INSTRUMENT-PANEL-LAMP Automobile

Hupmobile

1938 INSTRUMENT-PANEL-LAMP Automobile
1939 INSTRUMENT-PANEL-LAMP Automobile
1940 INSTRUMENT-PANEL-LAMP Automobile
1941 INSTRUMENT-PANEL-LAMP Automobile

International

1950-6-VOLT INSTRUMENT-PANEL-LAMP Automobile / Truck
1951-6-VOLT INSTRUMENT-PANEL-LAMP Automobile / Truck
1952-6-VOLT INSTRUMENT-PANEL-LAMP Automobile / Truck
1953-6-VOLT INSTRUMENT-PANEL-LAMP Automobile / Truck
1953-RM-120,150,RB-140 INSTRUMENT-PANEL-LAMP Automobile / Truck
1953-RM120,150,RB140 INSTRUMENT-PANEL-LAMP Automobile / Truck
1954-6-VOLT INSTRUMENT-PANEL-LAMP Automobile / Truck
1955-6-VOLT INSTRUMENT-PANEL-LAMP Automobile / Truck

Jennings

PINBALL Coin-Op

Kaiser

1947-SPECIAL INSTRUMENT-PANEL-LAMP Automobile
1948-CUSTOM INSTRUMENT-PANEL-LAMP Automobile
1948 INSTRUMENT-PANEL-LAMP Automobile
1949 INSTRUMENT-PANEL-LAMP Automobile
1951 INSTRUMENT-PANEL-LAMP Automobile
1952 INSTRUMENT-PANEL-LAMP Automobile
1953 CLOCK-LAMP Automobile
1953 GLOVE-BOX-LAMP Automobile
1953 INSTRUMENT-PANEL-LAMP Automobile
1954 CLOCK-LAMP Automobile
1954 GLOVE-BOX-LAMP Automobile
1954 INDICATOR-LAMP Automobile
1954 INSTRUMENT-PANEL-LAMP Automobile
1955-6-VOLT CLOCK-LAMP Automobile
1955-6-VOLT GLOVE-BOX-LAMP Automobile
1955 INSTRUMENT-PANEL-LAMP Automobile

La Salle

1939 INSTRUMENT-PANEL-LAMP Automobile
1939 PARKING-LAMP Automobile
1940 INSTRUMENT-PANEL-LAMP Automobile

Lincoln Zephyr

1936 INSTRUMENT-PANEL-LAMP Automobile
1936 PARKING-LAMP Automobile
1938 INSTRUMENT-PANEL-LAMP Automobile
1938 PARKING-LAMP Automobile
1939 INSTRUMENT-PANEL-LAMP Automobile

1939 PARKING-LAMP Automobile
1940 INSTRUMENT-PANEL-LAMP Automobile
1940 PARKING-LAMP Automobile
1941-CUSTOM INSTRUMENT-PANEL-LAMP Automobile
1941 INSTRUMENT-PANEL-LAMP Automobile
1942 INSTRUMENT-PANEL-LAMP Automobile
1946 INSTRUMENT-PANEL-LAMP Automobile
1947 INSTRUMENT-PANEL-LAMP Automobile
1948 INSTRUMENT-PANEL-LAMP Automobile
1949 INSTRUMENT-PANEL-LAMP Automobile
1950 INSTRUMENT-PANEL-LAMP Automobile
1951 INSTRUMENT-PANEL-LAMP Automobile
1952 INDICATOR-LAMP Automobile
1952 INSTRUMENT-PANEL-LAMP Automobile
1953 GLOVE-BOX-LAMP Automobile
1953 INDICATOR-LAMP Automobile
1953 INSTRUMENT-PANEL-LAMP Automobile
1954 BRAKE-SIGNAL-LAMP Automobile
1954 CLOCK-LAMP Automobile
1954 GLOVE-BOX-LAMP Automobile
1954 IGNITION-SWITCH-LAMP Automobile
1954 INDICATOR-LAMP Automobile
1954 INSTRUMENT-PANEL-LAMP Automobile
1954 MAP-LAMP Automobile
1954 RADIO-DIAL-LAMP Automobile
1955-6-VOLT BRAKE-SIGNAL-LAMP Automobile
1955-6-VOLT CIGAR-LIGHTER-LAMP Automobile
1955-6-VOLT CLOCK-LAMP Automobile
1955-6-VOLT GLOVE-BOX-LAMP Automobile
1955-6-VOLT IGNITION-SWITCH-LAMP Automobile
1955-6-VOLT MAP-LAMP Automobile
1955-6-VOLT RADIO-DIAL-LAMP Automobile
1955 INDICATOR-LAMP Automobile
1955 INSTRUMENT-PANEL-LAMP Automobile

Mercury

1939 INSTRUMENT-PANEL-LAMP Automobile
1939 PARKING-LAMP Automobile
1940 PARKING-LAMP Automobile
1941 INSTRUMENT-PANEL-LAMP Automobile
1942 INSTRUMENT-PANEL-LAMP Automobile
1946 INSTRUMENT-PANEL-LAMP Automobile
1947 INSTRUMENT-PANEL-LAMP Automobile
1948 INSTRUMENT-PANEL-LAMP Automobile
1949 INDICATOR-LAMP Automobile
1949 INSTRUMENT-PANEL-LAMP Automobile
1950 INSTRUMENT-PANEL-LAMP Automobile
1951 INSTRUMENT-PANEL-LAMP Automobile
1952 INDICATOR-LAMP Automobile

1952 INSTRUMENT-PANEL-LAMP Automobile
1953 CLOCK-LAMP Automobile
1953 GLOVE-BOX-LAMP Automobile
1953 INDICATOR-LAMP Automobile
1953 INSTRUMENT-PANEL-LAMP Automobile
1954 CLOCK-LAMP Automobile
1954 GLOVE-BOX-LAMP Automobile
1954 INDICATOR-LAMP Automobile
1954 INSTRUMENT-PANEL-LAMP Automobile
1955-6-VOLT CLOCK-LAMP Automobile
1955-6-VOLT GLOVE-BOX-LAMP Automobile
1955 INDICATOR-LAMP Automobile
1955 INSTRUMENT-PANEL-LAMP Automobile

Moviola Manufacturing Company

PREVIEW 16mm and 35mm Viewer and Editing

Nash

1937 INDICATOR-LAMP Automobile
1937 INSTRUMENT-PANEL-LAMP Automobile
1937 PARKING-LAMP Automobile
1938 INDICATOR-LAMP Automobile
1938 INSTRUMENT-PANEL-LAMP Automobile
1938 PARKING-LAMP Automobile
1939 INDICATOR-LAMP Automobile
1939 INSTRUMENT-PANEL-LAMP Automobile
1939 PARKING-LAMP Automobile
1940 INDICATOR-LAMP Automobile
1940 INSTRUMENT-PANEL-LAMP Automobile
1941 INDICATOR-LAMP Automobile
1941 INSTRUMENT-PANEL-LAMP Automobile
1942 INDICATOR-LAMP Automobile
1942 PARKING-LAMP Automobile
1946 INDICATOR-LAMP Automobile
1946 INSTRUMENT-PANEL-LAMP Automobile
1947 INDICATOR-LAMP Automobile
1947 INSTRUMENT-PANEL-LAMP Automobile
1948 INSTRUMENT-PANEL-LAMP Automobile
1949 INSTRUMENT-PANEL-LAMP Automobile
1949 PARKING-LAMP Automobile
1950 INSTRUMENT-PANEL-LAMP Automobile
1950 PARKING-LAMP Automobile
1951-RAMBLER INSTRUMENT-PANEL-LAMP Automobile
1951 INSTRUMENT-PANEL-LAMP Automobile
1952-RAMBLER INSTRUMENT-PANEL-LAMP Automobile
1953 CLOCK-LAMP Automobile
1953 GLOVE-BOX-LAMP Automobile
1953 MAP-LAMP Automobile
1954 MAP-LAMP Automobile
1955-6-VOLT CLOCK-LAMP Automobile

1955-6-VOLT GLOVE-BOX-LAMP Automobile
1955-6-VOLT MAP-LAMP Automobile
1955-RAMBLER INSTRUMENT-PANEL-LAMP Automobile

Oldsmobile

1937 INSTRUMENT-PANEL-LAMP Automobile
1937 PARKING-LAMP Automobile
1938 INSTRUMENT-PANEL-LAMP Automobile
1938 PARKING-LAMP Automobile
1939 INSTRUMENT-PANEL-LAMP Automobile
1939 PARKING-LAMP Automobile
1940 INSTRUMENT-PANEL-LAMP Automobile
1941 INSTRUMENT-PANEL-LAMP Automobile
1941 PARKING-LAMP Automobile
1942 INSTRUMENT-PANEL-LAMP Automobile
1943 INSTRUMENT-PANEL-LAMP Automobile
1944 INSTRUMENT-PANEL-LAMP Automobile
1945 INSTRUMENT-PANEL-LAMP Automobile
1946 INSTRUMENT-PANEL-LAMP Automobile
1947-SERIES-60 INSTRUMENT-PANEL-LAMP Automobile
1947-SERIES-70 INSTRUMENT-PANEL-LAMP Automobile
1948-SERIES-60 INSTRUMENT-PANEL-LAMP Automobile
1948-SERIES-70 INSTRUMENT-PANEL-LAMP Automobile
1951-SERIES-88 INSTRUMENT-PANEL-LAMP Automobile
1952-SERIES-88 INDICATOR-LAMP Automobile
1952-SERIES-98 INDICATOR-LAMP Automobile

Pace's

PINBALL Coin-Op

Pacific Amusements

PINBALL Coin-Op

Packard

1937 INDICATOR-LAMP Automobile
1937 INSTRUMENT-PANEL-LAMP Automobile
1937 PARKING-LAMP Automobile
1938-6,120 INDICATOR-LAMP Automobile
1938-6,120 INSTRUMENT-PANEL-LAMP Automobile
1938-6,120 PARKING-LAMP Automobile
1938-SUPER-8,12 INDICATOR-LAMP Automobile
1938-SUPER-8,12 INSTRUMENT-PANEL-LAMP Automobile
1938-SUPER-8,12 PARKING-LAMP Automobile
1938-SUPER8,12 INDICATOR-LAMP Automobile
1938-SUPER8,12 INSTRUMENT-PANEL-LAMP Automobile
1938-SUPER8,12 PARKING-LAMP Automobile
1939-12 INSTRUMENT-PANEL-LAMP Automobile
1939-12 PARKING-LAMP Automobile
1939-6,120,SUPER-8 INSTRUMENT-PANEL-LAMP Automobile
1939-6,120,SUPER-8 PARKING-LAMP Automobile
1939-6,120,SUPER8 INSTRUMENT-PANEL-LAMP Automobile
1939-6,120,SUPER8 PARKING-LAMP Automobile

1940 INSTRUMENT-PANEL-LAMP Automobile
1941 INSTRUMENT-PANEL-LAMP Automobile
1948-DELUXE,SUPER,CUSTOM INSTRUMENT-PANEL-LAMP Automobile
1948-STANDARD INSTRUMENT-PANEL-LAMP Automobile
1949-DELUXE,SUPER,CUSTOM INSTRUMENT-PANEL-LAMP Automobile
1949-STANDARD INSTRUMENT-PANEL-LAMP Automobile
1950-STANDARD,DELUXE,SUPER,CUSTOM INSTRUMENT-PANEL-LAMP Automobile
1950-TAXI INSTRUMENT-PANEL-LAMP Automobile
1951 INDICATOR-LAMP Automobile
1951 INSTRUMENT-PANEL-LAMP Automobile
1952 INDICATOR-LAMP Automobile
1952 INSTRUMENT-PANEL-LAMP Automobile
1953-2601,2611,2631 INDICATOR-LAMP Automobile
1953-2601,2611,2631 INSTRUMENT-PANEL-LAMP Automobile
1953-2602,2606,2626 INDICATOR-LAMP Automobile
1953-2602,2606,2626 INSTRUMENT-PANEL-LAMP Automobile
1953 IGNITION-SWITCH-LAMP Automobile
1954 IGNITION-SWITCH-LAMP Automobile
1954 INDICATOR-LAMP Automobile
1954 INSTRUMENT-PANEL-LAMP Automobile

Playmatic

PINBALL Coin-Op

Plymouth

1936 INDICATOR-LAMP Automobile
1936 INSTRUMENT-PANEL-LAMP Automobile
1936 PARKING-LAMP Automobile
1937 PARKING-LAMP Automobile
1938 INDICATOR-LAMP Automobile
1938 INSTRUMENT-PANEL-LAMP Automobile
1938 PARKING-LAMP Automobile
1939 INSTRUMENT-PANEL-LAMP Automobile
1939 PARKING-LAMP Automobile
1940 INSTRUMENT-PANEL-LAMP Automobile
1940 PARKING-LAMP Automobile
1941 INSTRUMENT-PANEL-LAMP Automobile
1941 PARKING-LAMP Automobile
1949 INSTRUMENT-PANEL-LAMP Automobile
1950 INDICATOR-LAMP Automobile
1950 INSTRUMENT-PANEL-LAMP Automobile
1951 INDICATOR-LAMP Automobile
1951 INSTRUMENT-PANEL-LAMP Automobile
1952 INDICATOR-LAMP Automobile
1952 INSTRUMENT-PANEL-LAMP Automobile
1953 INDICATOR-LAMP Automobile
1953 INSTRUMENT-PANEL-LAMP Automobile
1954 CLOCK-LAMP Automobile
1954 INDICATOR-LAMP Automobile
1954 INSTRUMENT-PANEL-LAMP Automobile

1955-6-VOLT CLOCK-LAMP Automobile
1955-6-VOLT GLOVE-BOX-LAMP Automobile
1955 INDICATOR-LAMP Automobile
1955 INSTRUMENT-PANEL-LAMP Automobile

Pontiac

1937 INSTRUMENT-PANEL-LAMP Automobile
1937 PARKING-LAMP Automobile
1938 INSTRUMENT-PANEL-LAMP Automobile
1938 PARKING-LAMP Automobile
1939 INSTRUMENT-PANEL-LAMP Automobile
1939 PARKING-LAMP Automobile
1940 INSTRUMENT-PANEL-LAMP Automobile
1941 INSTRUMENT-PANEL-LAMP Automobile
1942 INSTRUMENT-PANEL-LAMP Automobile
1946 INSTRUMENT-PANEL-LAMP Automobile
1947 INSTRUMENT-PANEL-LAMP Automobile
1948 INSTRUMENT-PANEL-LAMP Automobile
1949 INSTRUMENT-PANEL-LAMP Automobile
1950 INSTRUMENT-PANEL-LAMP Automobile
1951 INSTRUMENT-PANEL-LAMP Automobile
1952 INSTRUMENT-PANEL-LAMP Automobile
1953-DELUXE INDICATOR-LAMP Automobile
1953-DELUXE INSTRUMENT-PANEL-LAMP Automobile
1953-SPECIAL INDICATOR-LAMP Automobile
1953-SPECIAL INSTRUMENT-PANEL-LAMP Automobile
1953 BRAKE-SIGNAL-LAMP Automobile
1953 CLOCK-LAMP Automobile
1953 GLOVE-BOX-LAMP Automobile
1953 RADIO-DIAL-LAMP Automobile
1954 BRAKE-SIGNAL-LAMP Automobile
1954 CLOCK-LAMP Automobile
1954 GLOVE-BOX-LAMP Automobile
1954 INDICATOR-LAMP Automobile
1954 INSTRUMENT-PANEL-LAMP Automobile
1954 RADIO-DIAL-LAMP Automobile

Renault

PRE-1958 DOME-LAMP Automobile

REO

1946-6-VOLT PARKING-LAMP Automobile / Truck
1947-6-VOLT PARKING-LAMP Automobile / Truck
1948-6-VOLT PARKING-LAMP Automobile / Truck
1949-6-VOLT PARKING-LAMP Automobile / Truck
1950-6-VOLT INSTRUMENT-PANEL-LAMP Automobile / Truck
1951-6-VOLT INSTRUMENT-PANEL-LAMP Automobile / Truck
1951-6-VOLT PARKING-LAMP Automobile / Truck
1952-6-VOLT INSTRUMENT-PANEL-LAMP Automobile / Truck
1952-6-VOLT PARKING-LAMP Automobile / Truck
1953-6-VOLT INSTRUMENT-PANEL-LAMP Automobile / Truck

1953-6-VOLT PARKING-LAMP Automobile / Truck
1954-6-VOLT PARKING-LAMP Automobile / Truck
1955-6-VOLT INSTRUMENT-PANEL-LAMP Automobile / Truck
1955-6-VOLT PARKING-LAMP Automobile / Truck
1956-6-VOLT INSTRUMENT-PANEL-LAMP Automobile / Truck
1956-6-VOLT PARKING-LAMP Automobile / Truck

Rock-Ola Manufacturing Corperation

PINBALL Coin-Op

Sega

PINBALL Coin-Op

Stoner

PINBALL Coin-Op

Studebaker

1937 INDICATOR-LAMP Automobile
1937 INSTRUMENT-PANEL-LAMP Automobile
1937 PARKING-LAMP Automobile
1938 INDICATOR-LAMP Automobile
1938 INSTRUMENT-PANEL-LAMP Automobile
1938 PARKING-LAMP Automobile
1939 INSTRUMENT-PANEL-LAMP Automobile
1939 PARKING-LAMP Automobile
1940 INSTRUMENT-PANEL-LAMP Automobile
1940 PARKING-LAMP Automobile
1941 INSTRUMENT-PANEL-LAMP Automobile / Truck
1941 PARKING-LAMP Automobile / Truck
1942 INSTRUMENT-PANEL-LAMP Automobile / Truck
1942 PARKING-LAMP Automobile / Truck
1943 INSTRUMENT-PANEL-LAMP Automobile
1943 PARKING-LAMP Automobile
1944 INSTRUMENT-PANEL-LAMP Automobile
1944 PARKING-LAMP Automobile
1945 INSTRUMENT-PANEL-LAMP Automobile
1945 PARKING-LAMP Automobile
1946 INSTRUMENT-PANEL-LAMP Automobile / Truck
1946 PARKING-LAMP Automobile / Truck
1947-COMMANDER INSTRUMENT-PANEL-LAMP Automobile
1947 INSTRUMENT-PANEL-LAMP Automobile / Truck
1947 PARKING-LAMP Automobile / Truck
1948-CHAMPION INSTRUMENT-PANEL-LAMP Automobile
1948-CHAMPION PARKING-LAMP Automobile
1948-COMMANDER INSTRUMENT-PANEL-LAMP Automobile
1948 INSTRUMENT-PANEL-LAMP Automobile / Truck
1948 PARKING-LAMP Automobile / Truck
1949-CHAMPION INSTRUMENT-PANEL-LAMP Automobile
1949-CHAMPION PARKING-LAMP Automobile
1949-COMMANDER INSTRUMENT-PANEL-LAMP Automobile
1949 INSTRUMENT-PANEL-LAMP Automobile / Truck
1949 PARKING-LAMP Automobile / Truck

1950 INSTRUMENT-PANEL-LAMP Automobile / Truck
1950 PARKING-LAMP Automobile / Truck
1951 INSTRUMENT-PANEL-LAMP Automobile / Truck
1951 PARKING-LAMP Automobile / Truck
1952 INSTRUMENT-PANEL-LAMP Automobile / Truck
1952 PARKING-LAMP Automobile / Truck
1953-CHAMPION INDICATOR-LAMP Automobile
1953-COMMANDER INDICATOR-LAMP Automobile
1953 CLOCK-LAMP Automobile
1953 GLOVE-BOX-LAMP Automobile
1953 INSTRUMENT-PANEL-LAMP Automobile / Truck
1953 PARKING-LAMP Automobile / Truck
1954 CLOCK-LAMP Automobile
1954 GLOVE-BOX-LAMP Automobile
1954 INDICATOR-LAMP Automobile / Truck
1954 INSTRUMENT-PANEL-LAMP Automobile / Truck
1954 PARKING-LAMP Automobile / Truck
1955-6-VOLT GLOVE-BOX-LAMP Automobile
1955 INDICATOR-LAMP Automobile / Truck
1955 INSTRUMENT-PANEL-LAMP Automobile / Truck
1955 PARKING-LAMP Automobile / Truck

White

1948-6-VOLT-WB PARKING-LAMP Automobile / Truck
1949-6-VOLT PARKING-LAMP Automobile / Truck
1950-6-VOLT-WC-14-26 PARKING-LAMP Automobile / Truck
1950-6-VOLT-WC14-26 PARKING-LAMP Automobile / Truck
1951-6-VOLT-3014,3016 INSTRUMENT-PANEL-LAMP Automobile / Truck
1951-6-VOLT-WC-14,WC-26 PARKING-LAMP Automobile / Truck
1951-6-VOLT-WC-14,WC26 PARKING-LAMP Automobile / Truck
1951-6-VOLT-WC14,WC26 PARKING-LAMP Automobile / Truck
1952-6-VOLT-3014,3016 INSTRUMENT-PANEL-LAMP Automobile / Truck
1952-6-VOLT-WC-14,WC-26 PARKING-LAMP Automobile / Truck
1952-6-VOLT-WC-14,WC26 PARKING-LAMP Automobile / Truck
1952-6-VOLT-WC14,WC26 PARKING-LAMP Automobile / Truck
1953-6-VOLT-3014,3016 INSTRUMENT-PANEL-LAMP Automobile / Truck
1953-6-VOLT-WC-14,WC-26 PARKING-LAMP Automobile / Truck
1953-6-VOLT-WC-14,WC26 PARKING-LAMP Automobile / Truck
1953-6-VOLT-WC14,WC26 PARKING-LAMP Automobile / Truck
1954-6-VOLT-3014,3016 INSTRUMENT-PANEL-LAMP Automobile / Truck
1954-6-VOLT-WC-14,WC-26 PARKING-LAMP Automobile / Truck
1954-6-VOLT-WC-14,WC26 PARKING-LAMP Automobile / Truck
1954-6-VOLT-WC14,WC26 PARKING-LAMP Automobile / Truck
1955-6-VOLT-3014,3016 INSTRUMENT-PANEL-LAMP Automobile / Truck
1955-6-VOLT-WC-14,WC-26 PARKING-LAMP Automobile / Truck
1955-6-VOLT-WC-14,WC26 PARKING-LAMP Automobile / Truck
1955-6-VOLT-WC14,WC26 PARKING-LAMP Automobile / Truck
1956-6-VOLT-3014,3016 INSTRUMENT-PANEL-LAMP Automobile / Truck
1956-6-VOLT-WC-14,WC-26 PARKING-LAMP Automobile / Truck

1956-6-VOLT-WC-14,WC26 PARKING-LAMP Automobile / Truck
1956-6-VOLT-WC14,WC26 PARKING-LAMP Automobile / Truck
1957-6-VOLT-3014,3016 INSTRUMENT-PANEL-LAMP Automobile / Truck
1957-6-VOLT-WC-14,WC-26 PARKING-LAMP Automobile / Truck
1957-6-VOLT-WC-14,WC26 PARKING-LAMP Automobile / Truck
1957-6-VOLT-WC14,WC26 PARKING-LAMP Automobile / Truck

Williams

PINBALL Coin-Op

Willys

1937 PARKING-LAMP Automobile
1938 PARKING-LAMP Automobile
1939 PARKING-LAMP Automobile
1940 PARKING-LAMP Automobile
1941 INSTRUMENT-PANEL-LAMP Automobile
1941 PARKING-LAMP Automobile
1942 PARKING-LAMP Automobile
1946-CIV-JEEP PARKING-LAMP Automobile / Truck
1947-4-T,2-T PARKING-LAMP Automobile / Truck
1947-4T,2T PARKING-LAMP Automobile / Truck
1947-CIV-JEEP PARKING-LAMP Automobile / Truck
1947-STATION-WAGON PARKING-LAMP Automobile
1948-CIV-JEEP PARKING-LAMP Automobile / Truck
1948-STATION-WAGON PARKING-LAMP Automobile
1949-4-T,2-T INSTRUMENT-PANEL-LAMP Automobile / Truck
1949-4-T,2-T PARKING-LAMP Automobile / Truck
1949-4T,2T INSTRUMENT-PANEL-LAMP Automobile / Truck
1949-4T,2T PARKING-LAMP Automobile / Truck
1949-CIV-JEEP PARKING-LAMP Automobile / Truck
1949-STATION-WAGON,JEOPSTER INSTRUMENT-PANEL-LAMP Automobile
1949-STATION-WAGON,JEOPSTER PARKING-LAMP Automobile
1950 INDICATOR-LAMP Automobile
1950 INSTRUMENT-PANEL-LAMP Automobile / Truck
1951 INSTRUMENT-PANEL-LAMP Automobile / Truck
1952-CIV-JEEP PARKING-LAMP Automobile
1952 INSTRUMENT-PANEL-LAMP Automobile / Truck
1953-LARK,ACE,EAGLE INSTRUMENT-PANEL-LAMP Automobile
1953-STATION-WAGON INSTRUMENT-PANEL-LAMP Automobile
1954-STANDARD INSTRUMENT-PANEL-LAMP Automobile
1954-STATION-WAGON-4,6 INDICATOR-LAMP Automobile
1954-STATION-WAGON-4,6 INSTRUMENT-PANEL-LAMP Automobile
1954-STATION-WAGON4,6 INDICATOR-LAMP Automobile
1954-STATION-WAGON4,6 INSTRUMENT-PANEL-LAMP Automobile
1954 INSTRUMENT-PANEL-LAMP Automobile / Truck
1954 RADIO-DIAL-LAMP Automobile
1955-6-VOLT CLOCK-LAMP Automobile
1955-JEEP INSTRUMENT-PANEL-LAMP Automobile
1955-PASS-CAR INSTRUMENT-PANEL-LAMP Automobile
1955-STATION-WAGON INSTRUMENT-PANEL-LAMP Automobile

1955 INSTRUMENT-PANEL-LAMP Automobile / Truck

1956 INSTRUMENT-PANEL-LAMP Automobile / Truck

1957 INSTRUMENT-PANEL-LAMP Automobile / Truck

Zaccaria

PINBALL Coin-Op