

miniature light bulb lamp **61 GENERAL-ELECTRIC**
is known as: **61 3.45V 0.84A USA**
(61/3.45V/0.84A USA)

category: **Miniature**

volt: **3.45**

amp: **0.84**

watt: **2.9**

base: **BA15s** - Single Contact Candelabra Bayonet (or S.C.Bayonet)

glass: **G6**

filament: **C2R**

fil.res.: **4.11** ohm

m.o.l.: **1.44** inch (36.56MM)

l.c.l.:

0.752 inch (19MM)

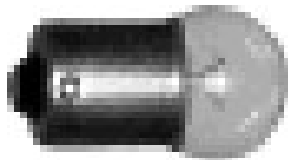
d.hours:

250

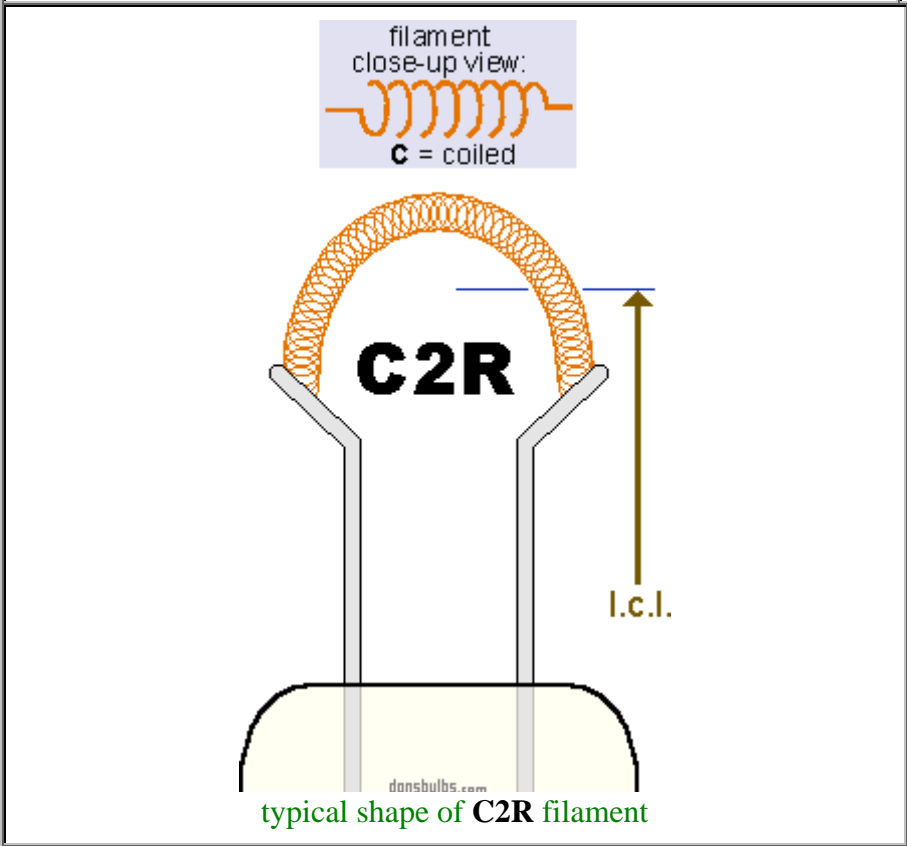
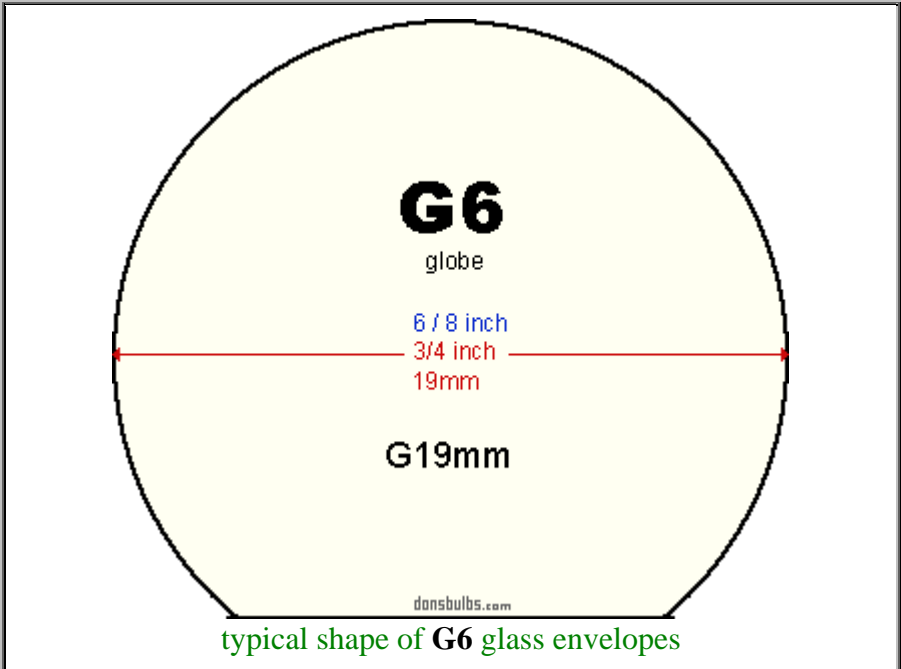
notes:

verified against ANSI-SR25D1997

uses socket: [DB-BA15S1](#)



typical photo of **61 3.45V 0.84A USA** bulb type
(your bulb may look slightly different)



BA15s B15s

single contact bayonet

SC bayonet

single contact candelabra bayonet

SCC (British single centre contact)

IEC7004-11A9

DIN49720

IEC7005-13

DIN49642T6

E
E25W
F
F15W
G
P
P21W
R
R5W
R10W
R18W
R21W
U
U45W

A18B

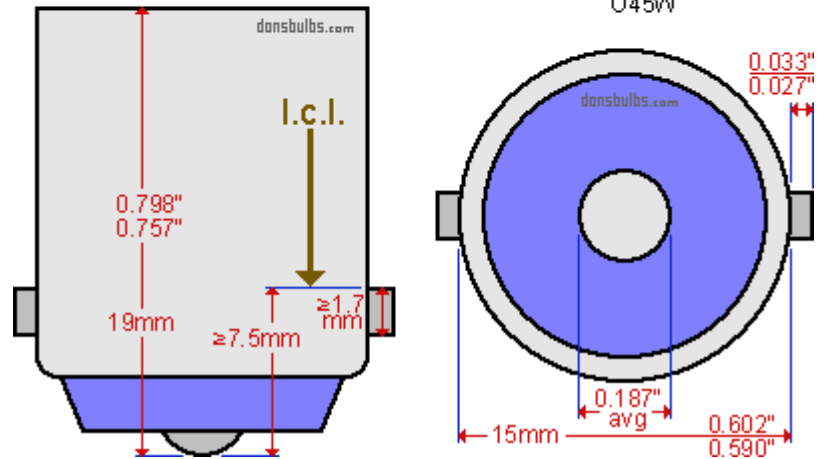
A18C

A18F

A18G

SCC

SC



industry standards for base: BA15s - Single Contact Candelabra Bayonet (or S.C.Bayonet)

61 3.45V 0.84A USA

also known as Cross-Reference:

61/3.45V/0.84A CEC

61/3.45V/0.84A USA

61 CEC

61 GENERAL-ELECTRIC

61 MAZDA

61 USA

I/3.45V/0.84A/BA15S/G6

I/7V/630MA/BA15S/G6

US61 BAILEY

61 3.45V 0.84A USA

have been found in equipment:

Graham

1938 INSTRUMENT-PANEL-LAMP Automobile

1939 INSTRUMENT-PANEL-LAMP Automobile

1940 INSTRUMENT-PANEL-LAMP Automobile

1941 INSTRUMENT-PANEL-LAMP Automobile

