

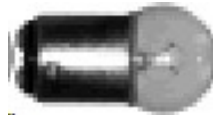
# 62DC USA

I/3.45V/0.84A/BA15D/G6/CL/250H  
bulb specifications:

Submit

category: Incandescent-miniature lamp  
voltage: 3.45  
amp: 0.84  
watt: 2.9  
base: BA15d - Double Contact Candelabra Bayonet (or D.C.Bayonet)  
glass: G6  
filament: C2R  
fil.res.: 4.11 ohm  
m.o.l.: 1.44 inch (36.6MM)  
l.c.l.: 0.752 inch (19.1MM)  
d.hours: 250  
notes: clear glass  
rugged vibration service (heavy duty)  
specs verified against ANSI-SR25D1997

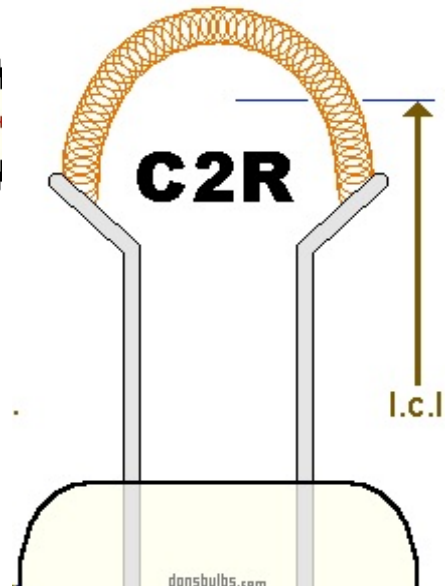
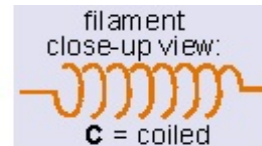
uses sockets: DB-BA15D1, DB-BA15D2, DB-BA15D8



typical photo of 62DC USA



typical shape of G6 glass envelopes



typical shape of C2R filament

# BA15d

double contact bayonet

DC bayonet

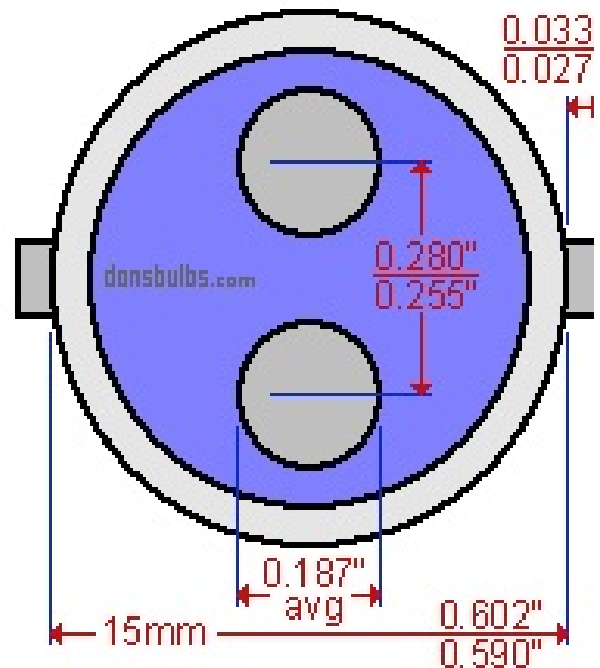
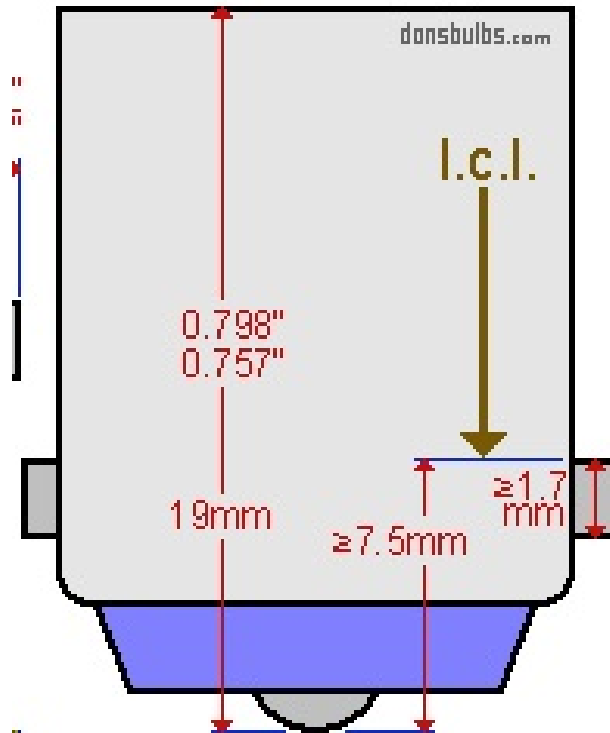
double contact candelabra bayonet

SBC (British small bayonet cap)

IEC7004-11  
DIN49721

IEC7005-13  
DIN49642T6

A19A  
A19E  
A19C  
A19F  
B15c  
SBC  
DC  
BD



industry standards for base: BA15d - Double Contact Candelabra Bayonet (or D.C.Bayonet)