

631 USA

I/14V/8.8W/BA15S/G6/CL/1000H

bulb specifications:

category: Incandescent - Miniature Lamp

volt: 14

amp:0.629

watt:8.8

base:BA15s - Single Contact Candelabra Bayonet (or S.C.Bayonet)

glass:G6

filament:2C2R

fil.res.:22.3 ohm

m.o.l.:1.44 inch (36.5MM)

l.c.l.: 0.752 inch (19.1MM)

d.hours: 1000

notes:

2 filaments in series

automobile lamp

clear glass

incandescent lamp

side light lamp

specs verified against ANSI-SR25D1997

tail lamp

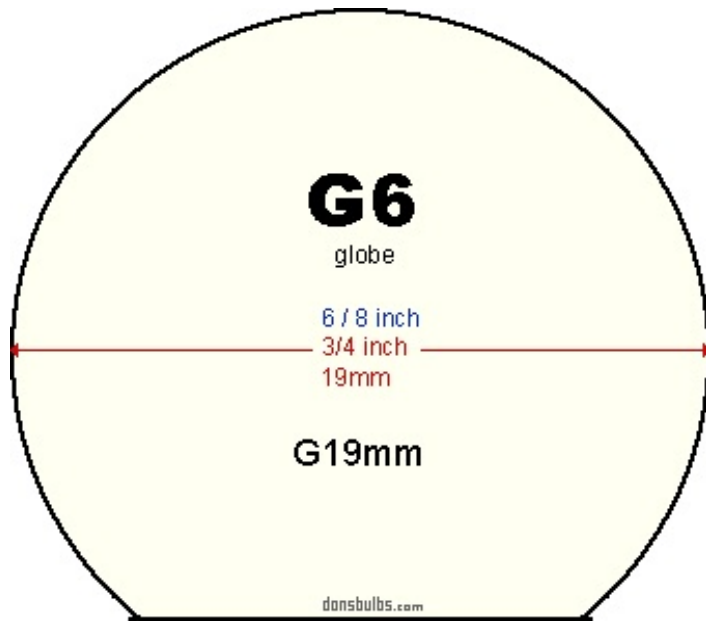
two identical filaments

two identical filaments in series

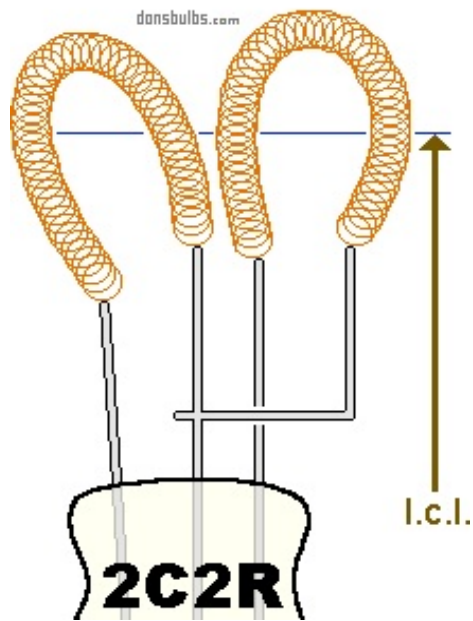
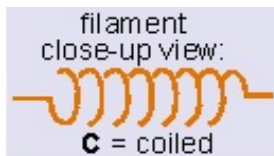
uses socket:DB-BA15S1



typical photo of 631 USA I/14V/8.8W/BA15S/G6/CL/1000H bulb type (your bulb may look slightly different)



typical shape of G6 glass envelopes
(not to scale)



typical shape of 2C2R filament
(not to scale)

BA15s B15s

single contact bayonet

SC bayonet

single contact candelabra bayonet

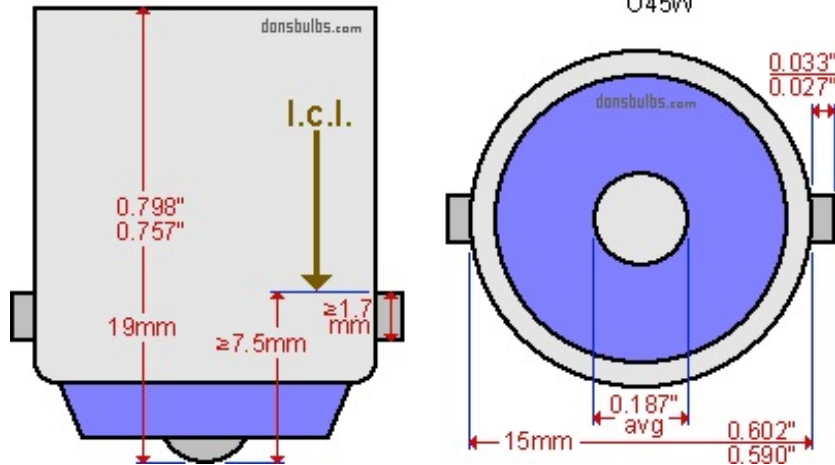
SCC (British single centre contact)

IEC7004-11A9
DIN49720

IEC7005-13
DIN49642T6

E
E25W
F
F15W
G
P
P21W
R
R5W
R10W
R18W
R21W
U
U45W

A18B
A18C
A18F
A18G
SCC
SC



industry standards for base:

BA15s - Single Contact Candelabra Bayonet (or S.C.Bayonet)

(not to scale)