

# 63 is known as: 63-USA

## 63-USA bulb specifications:

category: **Miniature**

volt: **6 - 8**

amp: **.63**

watt: **3.78 - 5.04**

base: **BA15s** - Single Contact Candelabra Bayonet (or S.C.Bayonet)

glass: **G6**

filament: **C2R**

fil.res.: **11.1 ohm**

m.o.l.: **1.44 inches**

l.c.l.: **.75 inches**

i.lumens: **37.7**

cp: **3**

d.hours: **1000**

notes:

### **Automotive Lamp**

Aviation

interior

parking lamp

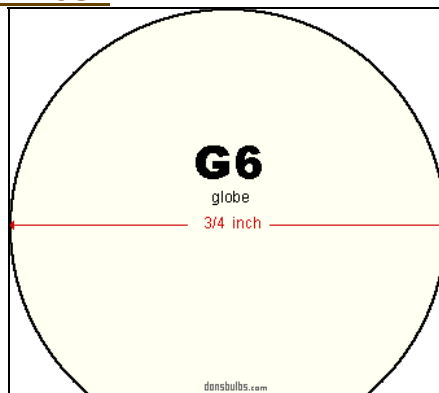
R5W

side lamp

tag lamp

tail lamp

uses socket: **DB-BA15S1**



## 63-USA

also known as **Cross-Reference:**

63-USA

031293408303

031293408303-EIKO

031293408310

031293408310-EIKO

06-005-04

06-005-04-CANIMPEX

0940-0244

0940-0244-HAAG-STREIT

113-LUCAS

200-BMC

200-BTH

200-LUCAS

200-MAZDA

200-OSRAM

200-PHILIPS

2007

2007-FOCUS

2007-HALCO

205

22780-1

2605-TUNGSRAM

301-TRIFA

4111

4111-STANLEY

5002

5002-HALCO

5002-OSRAM

63

63-200

63-200-MAZDA

63-200-USA

63-BP

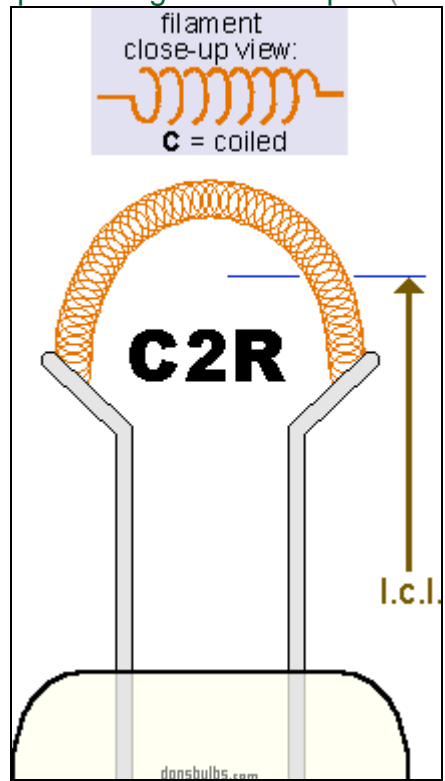
63-BP-EIKO

63-EIKO

63-GE

63-LECTRA

usual shape of G6 glass envelopes (not to scale)



typical shape of C2R filament (not to scale)

- 63-LUGON
- 63-TUNG-SOL
- 63-TUNGSOL
- 6811
- 6811-PHILIPS
- 940-0244
- 940-0244-HAAG-STREIT
- A4111W
- AB2401
- AGI-3111
- AT-3111
- AT-3111-AIDLITE
- AT3111
- AT3111-AIDLITE
- AT4101
- BE13466A
- BE13466A-EUROPE
- CFF40
- CFF40-HALCO
- CM63
- CNS-M1815C
- G25WH25
- G25WH25-HALCO
- G25WH60
- G25WH60-HALCO
- K5627
- LUCAS-205
- M1815C
- M1815C-CNS
- MB-00630
- MB00630
- ML-63
- ML63
- ML63-AIDLITE
- O-5002
- O5002
- T63

# BA15s B15s

single contact bayonet

SC bayonet

single contact candelabra bayonet

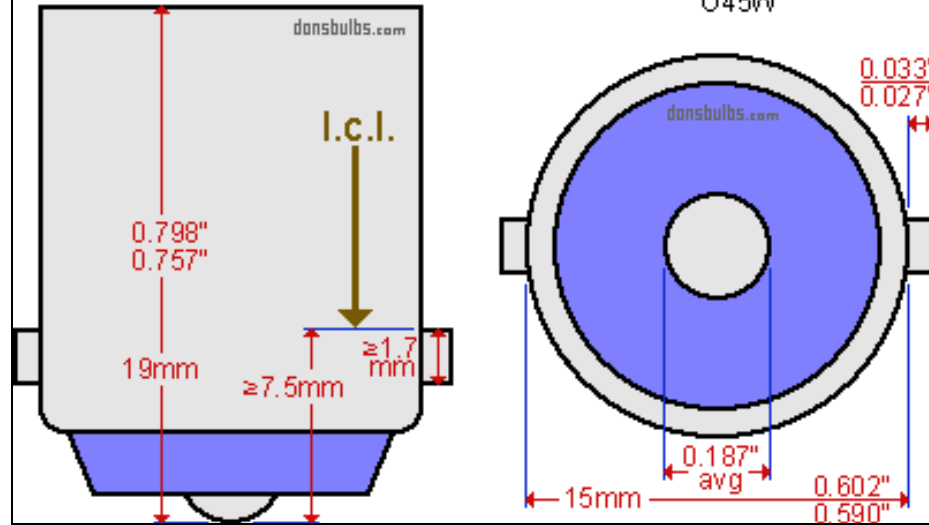
SCC (British single centre contact)

IEC7004-11A9  
DIN49720

IEC7005-13  
DIN49642T6

E  
E1  
E25W  
F  
F15W  
G  
P  
P21W  
R  
R5W  
R10W  
R18W  
R21W  
U  
U45W

A18B  
A18C  
A18F  
A18G  
SCC  
SC



industry standards for base:

**BA15s** - Single Contact Candelabra Bayonet (or S.C.Bayonet)  
(not to scale)

## 63-USA

have been found in equipment:

### Ahrens Fox

- 1953-COMMERCIAL-6-VOLT INSTRUMENT-PANEL-LAMP Automobile / Truck
- 1953-COMMERCIAL-6-VOLT TAIL-LAMP Automobile / Truck
- 1954-COMMERCIAL-6-VOLT INSTRUMENT-PANEL-LAMP Automobile / Truck
- 1954-COMMERCIAL-6-VOLT TAIL-LAMP Automobile / Truck
- 1955-COMMERCIAL-6-VOLT INSTRUMENT-PANEL-LAMP Automobile / Truck
- 1955-COMMERCIAL-6-VOLT TAIL-LAMP Automobile / Truck

### Allstate

- 1952 LICENSE-PLATE-LAMP Automobile
- 1952 PARKING-LAMP Automobile
- 1953 LICENSE-PLATE-LAMP Automobile
- 1953 PARKING-LAMP Automobile

### Anglia

- PRE-1958 INSTRUMENT-PANEL-LAMP Automobile
- PRE-1958 PARKING-LAMP Automobile

### Autocar

- 1942-6-VOLT-CABOVER-ENGINE INSTRUMENT-PANEL-LAMP Automobile / Truck
- 1942-6-VOLT-CONVENTIONAL INSTRUMENT-PANEL-LAMP Automobile / Truck
- 1942-6-VOLT-CONVENTIONAL PARKING-LAMP Automobile / Truck

- 1942-6-VOLT-CONVENTIONAL TAIL-LAMP Automobile / Truck
- 1952-DIESEL-6-VOLT TAIL-LAMP Automobile / Truck

### Available

- 1942 INSTRUMENT-PANEL-LAMP Automobile / Truck
- 1942 TAIL-LAMP Automobile / Truck
- 1956-6-VOLT DOME-LAMP Automobile / Truck
- 1956-6-VOLT PARKING-LAMP Automobile / Truck

### Brockway

- 1947-6-VOLT INSTRUMENT-PANEL-LAMP Automobile / Truck
- 1947-6-VOLT PARKING-LAMP Automobile / Truck
- 1947-6-VOLT TAIL-LAMP Automobile / Truck
- 1948-6-VOLT PARKING-LAMP Automobile / Truck
- 1948-6-VOLT TAIL-LAMP Automobile / Truck
- 1949-6-VOLT PARKING-LAMP Automobile / Truck

1949-6-VOLT TAIL-LAMP Automobile / Truck  
1950-12-VOLT INSTRUMENT-PANEL-LAMP Automobile / Truck  
1950-6-VOLT PARKING-LAMP Automobile / Truck  
1950-6-VOLT TAIL-LAMP Automobile / Truck  
1951-6-VOLT PARKING-LAMP Automobile / Truck  
1952-6-VOLT PARKING-LAMP Automobile / Truck  
1953-6-VOLT PARKING-LAMP Automobile / Truck  
1954-6-VOLT PARKING-LAMP Automobile / Truck  
1955-6-VOLT PARKING-LAMP Automobile / Truck  
1956-6-VOLT INSTRUMENT-PANEL-LAMP Automobile / Truck  
1956-6-VOLT PARKING-LAMP Automobile / Truck  
1957-6-VOLT INSTRUMENT-PANEL-LAMP Automobile / Truck  
1957-6-VOLT PARKING-LAMP Automobile / Truck

**Buick**

1937 LICENSE-PLATE-LAMP Automobile  
1938 LICENSE-PLATE-LAMP Automobile  
1939 LICENSE-PLATE-LAMP Automobile  
1940 LICENSE-PLATE-LAMP Automobile  
1941 LICENSE-PLATE-LAMP Automobile  
1942 LICENSE-PLATE-LAMP Automobile  
1946-SERIES-40 LICENSE-PLATE-LAMP Automobile  
1946-SERIES-50 LICENSE-PLATE-LAMP Automobile  
1946-SERIES-70 LICENSE-PLATE-LAMP Automobile  
1947-SERIES-40 LICENSE-PLATE-LAMP Automobile  
1947-SERIES-50 LICENSE-PLATE-LAMP Automobile  
1947-SERIES-70 LICENSE-PLATE-LAMP Automobile  
1948-SERIES-40 LICENSE-PLATE-LAMP Automobile  
1948-SERIES-50 LICENSE-PLATE-LAMP Automobile  
1948-SERIES-70 LICENSE-PLATE-LAMP Automobile  
1949-SERIES-40 LICENSE-PLATE-LAMP Automobile  
1949-SERIES-50 LICENSE-PLATE-LAMP Automobile  
1949-SERIES-70 LICENSE-PLATE-LAMP Automobile  
1950 LICENSE-PLATE-LAMP Automobile  
1951-SERIES-40 LICENSE-PLATE-LAMP Automobile  
1951-SERIES-40 PARKING-LAMP Automobile  
1951-SERIES-50 LICENSE-PLATE-LAMP Automobile  
1951-SERIES-70 LICENSE-PLATE-LAMP Automobile  
1952-SERIES-40 LICENSE-PLATE-LAMP Automobile  
1952-SERIES-40 PARKING-LAMP Automobile  
1952-SERIES-50 LICENSE-PLATE-LAMP Automobile  
1952-SERIES-70 LICENSE-PLATE-LAMP Automobile  
1953-SERIES-40 LICENSE-PLATE-LAMP Automobile

**Cadillac**

1937 LICENSE-PLATE-LAMP Automobile  
1938 LICENSE-PLATE-LAMP Automobile  
1940 LICENSE-PLATE-LAMP Automobile  
1941 LICENSE-PLATE-LAMP Automobile  
1942 LICENSE-PLATE-LAMP Automobile  
1946 LICENSE-PLATE-LAMP Automobile  
1947 LICENSE-PLATE-LAMP Automobile  
1948 LICENSE-PLATE-LAMP Automobile  
1949 LICENSE-PLATE-LAMP Automobile  
1950 LICENSE-PLATE-LAMP Automobile  
1951 LICENSE-PLATE-LAMP Automobile  
1952 LICENSE-PLATE-LAMP Automobile

**Checker Cab**

1948 PARKING-LAMP Automobile / Truck  
1949 PARKING-LAMP Automobile / Truck  
1950 INSTRUMENT-PANEL-LAMP Automobile / Truck  
1950 PARKING-LAMP Automobile / Truck  
1951 INSTRUMENT-PANEL-LAMP Automobile / Truck  
1951 PARKING-LAMP Automobile / Truck  
1952 INSTRUMENT-PANEL-LAMP Automobile / Truck  
1952 PARKING-LAMP Automobile / Truck  
1954 DOME-LAMP Automobile / Truck  
1955 DOME-LAMP Automobile / Truck

**Chevrolet**

1937 REAR-LAMP Automobile  
1937 STOP-LAMP Automobile  
1938 REAR-LAMP Automobile  
1938 STOP-LAMP Automobile  
1939-COACH LICENSE-PLATE-LAMP Automobile  
1939-SEDAN LICENSE-PLATE-LAMP Automobile  
1939 REAR-LAMP Automobile  
1939 STOP-LAMP Automobile  
1940 LICENSE-PLATE-LAMP Automobile / Truck  
1940 PARKING-LAMP Automobile / Truck  
1940 STOP-LAMP Automobile / Truck  
1940 TAIL-LAMP Automobile / Truck  
1941 LICENSE-PLATE-LAMP Automobile / Truck  
1941 PARKING-LAMP Automobile / Truck  
1941 TAIL-LAMP Automobile / Truck  
1942 LICENSE-PLATE-LAMP Automobile / Truck  
1942 PARKING-LAMP Automobile / Truck

1942 STOP-LAMP Automobile / Truck  
1942 TAIL-LAMP Automobile / Truck  
1946 LICENSE-PLATE-LAMP Automobile  
1946 PARKING-LAMP Automobile / Truck  
1946 STOP-LAMP Automobile / Truck  
1946 TAIL-LAMP Automobile / Truck  
1947-1-TON PARKING-LAMP Automobile / Truck  
1947-1/2-TON PARKING-LAMP Automobile / Truck  
1947-1/2TON PARKING-LAMP Automobile / Truck  
1947-1TON PARKING-LAMP Automobile / Truck  
1947 LICENSE-PLATE-LAMP Automobile / Truck  
1947 PARKING-LAMP Automobile / Truck  
1947 STOP-LAMP Automobile / Truck  
1947 TAIL-LAMP Automobile / Truck  
1948-1-TON PARKING-LAMP Automobile / Truck  
1948-1/2-TON PARKING-LAMP Automobile / Truck  
1948-1/2TON PARKING-LAMP Automobile / Truck  
1948-1TON PARKING-LAMP Automobile / Truck  
1948 LICENSE-PLATE-LAMP Automobile / Truck  
1948 PARKING-LAMP Automobile / Truck  
1948 STOP-LAMP Automobile / Truck  
1948 TAIL-LAMP Automobile / Truck  
1949-1-TON PARKING-LAMP Automobile / Truck  
1949-1/2-TON PARKING-LAMP Automobile / Truck  
1949-1/2TON PARKING-LAMP Automobile / Truck  
1949-1TON PARKING-LAMP Automobile / Truck  
1949 LICENSE-PLATE-LAMP Automobile / Truck  
1949 PARKING-LAMP Automobile / Truck  
1949 TAIL-LAMP Automobile / Truck  
1950-1-TON PARKING-LAMP Automobile / Truck  
1950-1/2-TON PARKING-LAMP Automobile / Truck  
1950-1/2TON PARKING-LAMP Automobile / Truck  
1950-1TON PARKING-LAMP Automobile / Truck  
1950 LICENSE-PLATE-LAMP Automobile / Truck  
1950 PARKING-LAMP Automobile / Truck  
1950 TAIL-LAMP Automobile / Truck  
1951-1-TON PARKING-LAMP Automobile / Truck  
1951-1/2-TON PARKING-LAMP Automobile / Truck  
1951-1/2TON PARKING-LAMP Automobile / Truck  
1951-1TON PARKING-LAMP Automobile / Truck  
1951 LICENSE-PLATE-LAMP Automobile / Truck  
1951 PARKING-LAMP Automobile / Truck

1951 TAIL-LAMP Automobile / Truck  
1952-1-TON PARKING-LAMP Automobile / Truck  
1952-1/2-TON PARKING-LAMP Automobile / Truck  
1952-1/2TON PARKING-LAMP Automobile / Truck  
1952-1TON PARKING-LAMP Automobile / Truck  
1952 LICENSE-PLATE-LAMP Automobile / Truck  
1952 PARKING-LAMP Automobile / Truck  
1952 TAIL-LAMP Automobile / Truck  
1953-1-1/2-TON PARKING-LAMP Automobile / Truck  
1953-1-1/2-TON TAIL-LAMP Automobile / Truck  
1953-1-1/2TON PARKING-LAMP Automobile / Truck  
1953-1-1/2TON TAIL-LAMP Automobile / Truck  
1953-1-TON PARKING-LAMP Automobile / Truck  
1953-1-TON TAIL-LAMP Automobile / Truck  
1953-1/2-TON PARKING-LAMP Automobile / Truck  
1953-1/2-TON TAIL-LAMP Automobile / Truck  
1953-1/2TON PARKING-LAMP Automobile / Truck  
1953-1/2TON TAIL-LAMP Automobile / Truck  
1953-1TON PARKING-LAMP Automobile / Truck  
1953-1TON TAIL-LAMP Automobile / Truck  
1953-2-TON PARKING-LAMP Automobile / Truck  
1953-2-TON TAIL-LAMP Automobile / Truck  
1953-2TON PARKING-LAMP Automobile / Truck  
1953-2TON TAIL-LAMP Automobile / Truck  
1953-3/4-TON PARKING-LAMP Automobile / Truck  
1953-3/4-TON TAIL-LAMP Automobile / Truck  
1953-3/4TON PARKING-LAMP Automobile / Truck  
1953-3/4TON TAIL-LAMP Automobile / Truck  
1953 CLOCK-LAMP Automobile  
1953 LICENSE-PLATE-LAMP Automobile  
1953 PARKING-LAMP Automobile  
1953 REAR-LAMP Automobile  
1954-1-TON PARKING-LAMP Automobile / Truck  
1954-1/2-TON PARKING-LAMP Automobile / Truck  
1954-1/2TON PARKING-LAMP Automobile / Truck  
1954-1TON PARKING-LAMP Automobile / Truck  
1954 CLOCK-LAMP Automobile  
1954 LICENSE-PLATE-LAMP Automobile  
1954 PARKING-LAMP Automobile / Truck  
1955-1-TON PARKING-LAMP Automobile / Truck  
1955-1/2-TON PARKING-LAMP Automobile / Truck  
1955-1/2TON PARKING-LAMP Automobile / Truck

1955-1TON PARKING-LAMP Automobile / Truck

1955 PARKING-LAMP Automobile / Truck

**Chrysler**

1937-C-17 LICENSE-PLATE-LAMP Automobile

1937-C-17 REAR-LAMP Automobile

1937-C17 LICENSE-PLATE-LAMP Automobile

1937-C17 REAR-LAMP Automobile

1937 LICENSE-PLATE-LAMP Automobile

1938 LICENSE-PLATE-LAMP Automobile

1939 LICENSE-PLATE-LAMP Automobile

1940 LICENSE-PLATE-LAMP Automobile

1940 PARKING-LAMP Automobile

1941 LICENSE-PLATE-LAMP Automobile

1942 LICENSE-PLATE-LAMP Automobile

1942 PARKING-LAMP Automobile

1946 LICENSE-PLATE-LAMP Automobile

1946 PARKING-LAMP Automobile

1946 REAR-LAMP Automobile

1947 LICENSE-PLATE-LAMP Automobile

1947 PARKING-LAMP Automobile

1947 REAR-LAMP Automobile

1948 LICENSE-PLATE-LAMP Automobile

1948 PARKING-LAMP Automobile

1948 REAR-LAMP Automobile

1949 LICENSE-PLATE-LAMP Automobile

1950 LICENSE-PLATE-LAMP Automobile

1951 LICENSE-PLATE-LAMP Automobile

1952 LICENSE-PLATE-LAMP Automobile

1953 LICENSE-PLATE-LAMP Automobile

1954 LICENSE-PLATE-LAMP Automobile

1954 PARKING-LAMP Automobile

1954 REAR-LAMP Automobile

1955 LICENSE-PLATE-LAMP Automobile

**Corbitt**

1946-6-VOLT DOME-LAMP Automobile / Truck

1946-6-VOLT TAIL-LAMP Automobile / Truck

1947-6-VOLT DOME-LAMP Automobile / Truck

1947-6-VOLT TAIL-LAMP Automobile / Truck

1948-6-VOLT DOME-LAMP Automobile / Truck

1948-6-VOLT TAIL-LAMP Automobile / Truck

1949-6-VOLT DOME-LAMP Automobile / Truck

1949-6-VOLT TAIL-LAMP Automobile / Truck



1950-6-VOLT DOME-LAMP Automobile / Truck  
1950-6-VOLT TAIL-LAMP Automobile / Truck  
1951-6-VOLT INSTRUMENT-PANEL-LAMP Automobile / Truck  
1951-6-VOLT TAIL-LAMP Automobile / Truck  
1952-6-VOLT INSTRUMENT-PANEL-LAMP Automobile / Truck  
1952-6-VOLT TAIL-LAMP Automobile / Truck

**Crosley**

1950 LICENSE-PLATE-LAMP Automobile  
1952 LICENSE-PLATE-LAMP Automobile

**Desoto**

1937 LICENSE-PLATE-LAMP Automobile  
1938 LICENSE-PLATE-LAMP Automobile  
1940 LICENSE-PLATE-LAMP Automobile  
1941 LICENSE-PLATE-LAMP Automobile  
1941 REAR-LAMP Automobile  
1942 LICENSE-PLATE-LAMP Automobile  
1942 PARKING-LAMP Automobile  
1942 REAR-LAMP Automobile  
1946 LICENSE-PLATE-LAMP Automobile  
1946 PARKING-LAMP Automobile  
1946 REAR-LAMP Automobile  
1947 LICENSE-PLATE-LAMP Automobile  
1947 PARKING-LAMP Automobile  
1947 REAR-LAMP Automobile  
1948 LICENSE-PLATE-LAMP Automobile  
1948 PARKING-LAMP Automobile  
1948 REAR-LAMP Automobile  
1949 LICENSE-PLATE-LAMP Automobile  
1950 LICENSE-PLATE-LAMP Automobile  
1951 LICENSE-PLATE-LAMP Automobile  
1951 PARKING-LAMP Automobile  
1952 LICENSE-PLATE-LAMP Automobile  
1952 PARKING-LAMP Automobile  
1953 LICENSE-PLATE-LAMP Automobile  
1953 PARKING-LAMP Automobile  
1954 LICENSE-PLATE-LAMP Automobile  
1955 LICENSE-PLATE-LAMP Automobile

**Diamond T**

1944-6-VOLT PARKING-LAMP Automobile / Truck  
1945-6-VOLT PARKING-LAMP Automobile / Truck  
1946-6-VOLT PARKING-LAMP Automobile / Truck  
1950-6-VOLT PARKING-LAMP Automobile / Truck

1951-6-VOLT PARKING-LAMP Automobile / Truck  
1952-6-VOLT PARKING-LAMP Automobile / Truck  
1953-6-VOLT PARKING-LAMP Automobile / Truck  
1954-6-VOLT PARKING-LAMP Automobile / Truck  
1955-6-VOLT PARKING-LAMP Automobile / Truck  
1956-6-VOLT PARKING-LAMP Automobile / Truck  
1957-6-VOLT PARKING-LAMP Automobile / Truck

**Divco**

1954 PARKING-LAMP Automobile / Truck

**Dodge**

1936 LICENSE-PLATE-LAMP Automobile  
1938 LICENSE-PLATE-LAMP Automobile  
1939 LICENSE-PLATE-LAMP Automobile  
1940 LICENSE-PLATE-LAMP Automobile  
1941 LICENSE-PLATE-LAMP Automobile  
1941 REAR-LAMP Automobile  
1942 INSTRUMENT-PANEL-LAMP Automobile / Truck  
1942 LICENSE-PLATE-LAMP Automobile / Truck  
1942 PARKING-LAMP Automobile / Truck  
1942 REAR-LAMP Automobile / Truck  
1946 LICENSE-PLATE-LAMP Automobile / Truck  
1946 PARKING-LAMP Automobile / Truck  
1946 REAR-LAMP Automobile / Truck  
1947 LICENSE-PLATE-LAMP Automobile / Truck  
1947 PARKING-LAMP Automobile / Truck  
1947 REAR-LAMP Automobile / Truck  
1948 LICENSE-PLATE-LAMP Automobile / Truck  
1948 PARKING-LAMP Automobile / Truck  
1948 REAR-LAMP Automobile / Truck  
1949 INSTRUMENT-PANEL-LAMP Automobile / Truck  
1949 LICENSE-PLATE-LAMP Automobile / Truck  
1949 PARKING-LAMP Automobile / Truck  
1949 REAR-LAMP Automobile / Truck  
1950 INSTRUMENT-PANEL-LAMP Automobile / Truck  
1950 LICENSE-PLATE-LAMP Automobile / Truck  
1950 PARKING-LAMP Automobile / Truck  
1950 REAR-LAMP Automobile / Truck  
1951 INDICATOR-LAMP Automobile  
1951 LICENSE-PLATE-LAMP Automobile / Truck  
1951 PARKING-LAMP Automobile / Truck  
1952 INSTRUMENT-PANEL-LAMP Automobile / Truck  
1952 LICENSE-PLATE-LAMP Automobile / Truck

1952 PARKING-LAMP Automobile / Truck  
1953 INSTRUMENT-PANEL-LAMP Automobile / Truck  
1953 LICENSE-PLATE-LAMP Automobile  
1953 PARKING-LAMP Automobile / Truck  
1954 LICENSE-PLATE-LAMP Automobile  
1954 PARKING-LAMP Automobile / Truck  
1955 LICENSE-PLATE-LAMP Automobile / Truck  
1955 PARKING-LAMP Automobile / Truck

**Duplex**

1942-MODEL-T DOME-LAMP Automobile / Truck  
1942-MODEL-T INSTRUMENT-PANEL-LAMP Automobile / Truck  
1946-6-VOLT INSTRUMENT-PANEL-LAMP Automobile / Truck  
1947-6-VOLT INSTRUMENT-PANEL-LAMP Automobile / Truck  
1948-6-VOLT INSTRUMENT-PANEL-LAMP Automobile / Truck  
1949-6-VOLT INSTRUMENT-PANEL-LAMP Automobile / Truck  
1950-6-VOLT INSTRUMENT-PANEL-LAMP Automobile / Truck  
1951-6-VOLT INSTRUMENT-PANEL-LAMP Automobile / Truck  
1952-6-VOLT DOME-LAMP Automobile / Truck  
1952-6-VOLT INSTRUMENT-PANEL-LAMP Automobile / Truck  
1952-6-VOLT PARKING-LAMP Automobile / Truck  
1953-6-VOLT DOME-LAMP Automobile / Truck  
1953-6-VOLT INSTRUMENT-PANEL-LAMP Automobile / Truck  
1953-6-VOLT PARKING-LAMP Automobile / Truck  
1954-6-VOLT DOME-LAMP Automobile / Truck  
1954-6-VOLT INSTRUMENT-PANEL-LAMP Automobile / Truck  
1954-6-VOLT PARKING-LAMP Automobile / Truck  
1955-6-VOLT DOME-LAMP Automobile / Truck  
1955-6-VOLT INSTRUMENT-PANEL-LAMP Automobile / Truck  
1955-6-VOLT PARKING-LAMP Automobile / Truck

**Federal Manufacturing Engineering Corporation**

1942-6-VOLT PARKING-LAMP Automobile / Truck  
1949-6-VOLT DOME-LAMP Automobile / Truck  
1951-6-VOLT-STYLELINERS PARKING-LAMP Automobile / Truck  
1952-6-VOLT-STYLELINERS PARKING-LAMP Automobile / Truck  
1953-6-VOLT-STYLELINERS PARKING-LAMP Automobile / Truck  
1954-6-VOLT-STYLELINERS PARKING-LAMP Automobile / Truck  
1955-6-VOLT-STYLELINERS PARKING-LAMP Automobile / Truck

**Ford**

1937 DOME-LAMP Automobile  
1937 INSTRUMENT-PANEL-LAMP Automobile  
1937 LICENSE-PLATE-LAMP Automobile  
1938 DOME-LAMP Automobile

1938 INSTRUMENT-PANEL-LAMP Automobile  
1938 LICENSE-PLATE-LAMP Automobile  
1939 DOME-LAMP Automobile  
1939 INSTRUMENT-PANEL-LAMP Automobile  
1939 LICENSE-PLATE-LAMP Automobile  
1940 DOME-LAMP Automobile / Truck  
1940 LICENSE-PLATE-LAMP Automobile  
1940 PARKING-LAMP Automobile / Truck  
1940 TAIL-LAMP Automobile / Truck  
1941 DOME-LAMP Automobile / Truck  
1941 LICENSE-PLATE-LAMP Automobile  
1941 PARKING-LAMP Automobile / Truck  
1941 TAIL-LAMP Automobile / Truck  
1942 DOME-LAMP Automobile / Truck  
1942 LICENSE-PLATE-LAMP Automobile  
1942 PARKING-LAMP Automobile / Truck  
1942 TAIL-LAMP Automobile / Truck  
1946 DOME-LAMP Automobile / Truck  
1946 LICENSE-PLATE-LAMP Automobile  
1946 PARKING-LAMP Automobile / Truck  
1946 TAIL-LAMP Automobile / Truck  
1947 DOME-LAMP Automobile / Truck  
1947 LICENSE-PLATE-LAMP Automobile  
1947 PARKING-LAMP Automobile / Truck  
1947 TAIL-LAMP Automobile / Truck  
1948-6-VOLT DOME-LAMP Automobile / Truck  
1948-6-VOLT PARKING-LAMP Automobile / Truck  
1948 DOME-LAMP Automobile  
1948 LICENSE-PLATE-LAMP Automobile  
1948 PARKING-LAMP Automobile  
1949-6-VOLT DOME-LAMP Automobile / Truck  
1949-6-VOLT PARKING-LAMP Automobile / Truck  
1949 DOME-LAMP Automobile  
1949 LICENSE-PLATE-LAMP Automobile  
1949 PARKING-LAMP Automobile  
1950-6-VOLT PARKING-LAMP Automobile / Truck  
1950 DOME-LAMP Automobile  
1950 LICENSE-PLATE-LAMP Automobile  
1950 PARKING-LAMP Automobile  
1951-6-VOLT PARKING-LAMP Automobile / Truck  
1951 DOME-LAMP Automobile  
1951 LICENSE-PLATE-LAMP Automobile

1952-6-VOLT PARKING-LAMP Automobile / Truck  
1952 DOME-LAMP Automobile  
1952 LICENSE-PLATE-LAMP Automobile  
1952 STEP-COURTESY-LAMP Automobile  
1953-PANEL,PARCEL-DELIVERY PARKING-LAMP Automobile /  
Truck  
1953 DOME-LAMP Automobile / Truck  
1953 LICENSE-PLATE-LAMP Automobile  
1953 MAP-LAMP Automobile  
1953 PARKING-LAMP Automobile / Truck  
1953 STEP-COURTESY-LAMP Automobile  
1954 LICENSE-PLATE-LAMP Automobile  
1954 MAP-LAMP Automobile  
1954 PARKING-LAMP Automobile / Truck  
1954 STEP-COURTESY-LAMP Automobile  
1955-6-VOLT MAP-LAMP Automobile  
1955 LICENSE-PLATE-LAMP Automobile  
1955 PARKING-LAMP Automobile / Truck  
**Frazer**  
1947 LICENSE-PLATE-LAMP Automobile  
1947 STEP-COURTESY-LAMP Automobile  
1948 LICENSE-PLATE-LAMP Automobile  
1949 LICENSE-PLATE-LAMP Automobile  
1951 LICENSE-PLATE-LAMP Automobile  
1951 PARKING-LAMP Automobile  
**FWD**  
1950-6-VOLT DOME-LAMP Automobile / Truck  
1950-6-VOLT INSTRUMENT-PANEL-LAMP Automobile / Truck  
1950-6-VOLT PARKING-LAMP Automobile / Truck  
1951-6-VOLT DOME-LAMP Automobile / Truck  
1951-6-VOLT INSTRUMENT-PANEL-LAMP Automobile / Truck  
1951-6-VOLT PARKING-LAMP Automobile / Truck  
1952-6-VOLT DOME-LAMP Automobile / Truck  
1952-6-VOLT INSTRUMENT-PANEL-LAMP Automobile / Truck  
1952-6-VOLT PARKING-LAMP Automobile / Truck  
1953-6-VOLT INSTRUMENT-PANEL-LAMP Automobile / Truck  
**GMC**  
1940 INSTRUMENT-PANEL-LAMP Automobile / Truck  
1940 PARKING-LAMP Automobile / Truck  
1940 TAIL-LAMP Automobile / Truck  
1941 INSTRUMENT-PANEL-LAMP Automobile / Truck  
1941 PARKING-LAMP Automobile / Truck

1941 TAIL-LAMP Automobile / Truck  
1942-500,890;EFP-240 DOME-LAMP Automobile / Truck  
1942-500,890;EFP-240 INSTRUMENT-PANEL-LAMP Automobile /  
Truck  
1942-500,890;EFP-240 PARKING-LAMP Automobile / Truck  
1942-500,890;EFP-240 TAIL-LAMP Automobile / Truck  
1942-500,890;EFP240 DOME-LAMP Automobile / Truck  
1942-500,890;EFP240 INSTRUMENT-PANEL-LAMP Automobile /  
Truck  
1942-500,890;EFP240 PARKING-LAMP Automobile / Truck  
1942-500,890;EFP240 TAIL-LAMP Automobile / Truck  
1946-500,890;EFP-240 DOME-LAMP Automobile / Truck  
1946-500,890;EFP-240 INSTRUMENT-PANEL-LAMP Automobile /  
Truck  
1946-500,890;EFP-240 PARKING-LAMP Automobile / Truck  
1946-500,890;EFP-240 TAIL-LAMP Automobile / Truck  
1946-500,890;EFP240 DOME-LAMP Automobile / Truck  
1946-500,890;EFP240 INSTRUMENT-PANEL-LAMP Automobile /  
Truck  
1946-500,890;EFP240 PARKING-LAMP Automobile / Truck  
1946-500,890;EFP240 TAIL-LAMP Automobile / Truck  
1947-500,890;EFP-240 DOME-LAMP Automobile / Truck  
1947-500,890;EFP-240 INSTRUMENT-PANEL-LAMP Automobile /  
Truck  
1947-500,890;EFP-240 PARKING-LAMP Automobile / Truck  
1947-500,890;EFP-240 TAIL-LAMP Automobile / Truck  
1947-500,890;EFP240 DOME-LAMP Automobile / Truck  
1947-500,890;EFP240 INSTRUMENT-PANEL-LAMP Automobile /  
Truck  
1947-500,890;EFP240 PARKING-LAMP Automobile / Truck  
1947-500,890;EFP240 TAIL-LAMP Automobile / Truck  
1948-500,890;EFP-240 DOME-LAMP Automobile / Truck  
1948-500,890;EFP-240 INSTRUMENT-PANEL-LAMP Automobile /  
Truck  
1948-500,890;EFP-240 PARKING-LAMP Automobile / Truck  
1948-500,890;EFP-240 TAIL-LAMP Automobile / Truck  
1948-500,890;EFP240 DOME-LAMP Automobile / Truck  
1948-500,890;EFP240 INSTRUMENT-PANEL-LAMP Automobile /  
Truck  
1948-500,890;EFP240 PARKING-LAMP Automobile / Truck  
1948-500,890;EFP240 TAIL-LAMP Automobile / Truck  
1949-FC,FF PARKING-LAMP Automobile / Truck

1949-FC,FF TAIL-LAMP Automobile / Truck  
1949-SOME-HC,ALL-HF INSTRUMENT-PANEL-LAMP Automobile / Truck  
1949-SOME-HC,ALL-HF PARKING-LAMP Automobile / Truck  
1949-SOME-HC,ALL-HF TAIL-LAMP Automobile / Truck  
1950-FC,FCS,FP,HCS-400,HCW-400 PARKING-LAMP Automobile / Truck  
1950-FC,FCS,FP,HCS-400,HCW-400 TAIL-LAMP Automobile / Truck  
1950-FC,FCS,FP,HCS400,HCW400 PARKING-LAMP Automobile / Truck  
1950-FC,FCS,FP,HCS400,HCW400 TAIL-LAMP Automobile / Truck  
1950-HC-450,470,HCS-450,HF-450,470,FF PARKING-LAMP Automobile / Truck  
1950-HC-450,470,HCS-450,HF-450,470,FF TAIL-LAMP Automobile / Truck  
1950-HC450,470,HCS450,HF450,470,FF PARKING-LAMP Automobile / Truck  
1950-HC450,470,HCS450,HF450,470,FF TAIL-LAMP Automobile / Truck  
1950-SOME-HC,HCW,HF INSTRUMENT-PANEL-LAMP Automobile / Truck  
1950-SOME-HC,HCW,HF TAIL-LAMP Automobile / Truck  
1951-FC,FCS,FP,HCS-400,HCW-400 PARKING-LAMP Automobile / Truck  
1951-FC,FCS,FP,HCS-400,HCW-400 TAIL-LAMP Automobile / Truck  
1951-FC,FCS,FP,HCS400,HCW400 PARKING-LAMP Automobile / Truck  
1951-FC,FCS,FP,HCS400,HCW400 TAIL-LAMP Automobile / Truck  
1951-HC-450,470,HCS-450,HF-450,470,FF PARKING-LAMP Automobile / Truck  
1951-HC-450,470,HCS-450,HF-450,470,FF TAIL-LAMP Automobile / Truck  
1951-HC450,470,HCS450,HF450,470,FF PARKING-LAMP Automobile / Truck  
1951-HC450,470,HCS450,HF450,470,FF TAIL-LAMP Automobile / Truck  
1951-SOME-HC,HCW,HF INSTRUMENT-PANEL-LAMP Automobile / Truck  
1951-SOME-HC,HCW,HF TAIL-LAMP Automobile / Truck  
1952-FC,FCS,FP,HCS-400,HCW-400 PARKING-LAMP Automobile

/ Truck  
 1952-FC,FCS,FP,HCS-400,HCW-400 TAIL-LAMP Automobile /  
 Truck  
 1952-FC,FCS,FP,HCS400,HCW400 PARKING-LAMP Automobile /  
 Truck  
 1952-FC,FCS,FP,HCS400,HCW400 TAIL-LAMP Automobile / Truck  
 1952-HC-450,470,HCS-450,HF-450,470,FF PARKING-  
 LAMP Automobile / Truck  
 1952-HC-450,470,HCS-450,HF-450,470,FF TAIL-LAMP Automobile  
 / Truck  
 1952-HC450,470,HCS450,HF450,470,FF PARKING-  
 LAMP Automobile / Truck  
 1952-HC450,470,HCS450,HF450,470,FF TAIL-LAMP Automobile /  
 Truck  
 1952-SOME-HC,HCW,HF INSTRUMENT-PANEL-  
 LAMP Automobile / Truck  
 1952-SOME-HC,HCW,HF TAIL-LAMP Automobile / Truck  
 1953-FC,FCS,FP,HCS-400,HCW-400 PARKING-LAMP Automobile  
 / Truck  
 1953-FC,FCS,FP,HCS-400,HCW-400 TAIL-LAMP Automobile /  
 Truck  
 1953-FC,FCS,FP,HCS400,HCW400 PARKING-LAMP Automobile /  
 Truck  
 1953-FC,FCS,FP,HCS400,HCW400 TAIL-LAMP Automobile / Truck  
 1953-HC-450,470,HCS-450,HF-450,470,FF PARKING-  
 LAMP Automobile / Truck  
 1953-HC-450,470,HCS-450,HF-450,470,FF TAIL-LAMP Automobile  
 / Truck  
 1953-HC450,470,HCS450,HF450,470,FF PARKING-  
 LAMP Automobile / Truck  
 1953-HC450,470,HCS450,HF450,470,FF TAIL-LAMP Automobile /  
 Truck  
 1953-SOME-HC,HCW,HF INSTRUMENT-PANEL-  
 LAMP Automobile / Truck  
 1953-SOME-HC,HCW,HF TAIL-LAMP Automobile / Truck  
 1954-6-VOLT PARKING-LAMP Automobile / Truck  
 1955-6-VOLT PARKING-LAMP Automobile / Truck  
**Graham**  
 1938 DOME-LAMP Automobile  
 1938 LICENSE-PLATE-LAMP Automobile  
 1939 DOME-LAMP Automobile  
 1939 LICENSE-PLATE-LAMP Automobile



1940 DOME-LAMP Automobile  
1940 LICENSE-PLATE-LAMP Automobile  
1941 DOME-LAMP Automobile  
1941 LICENSE-PLATE-LAMP Automobile

**Hahn**

1942-6-VOLT DOME-LAMP Automobile / Truck  
1942-6-VOLT INSTRUMENT-PANEL-LAMP Automobile / Truck  
1942-6-VOLT TAIL-LAMP Automobile / Truck  
1946-6-VOLT DOME-LAMP Automobile / Truck  
1946-6-VOLT INSTRUMENT-PANEL-LAMP Automobile / Truck  
1946-6-VOLT TAIL-LAMP Automobile / Truck  
1947-6-VOLT DOME-LAMP Automobile / Truck  
1947-6-VOLT INSTRUMENT-PANEL-LAMP Automobile / Truck  
1947-6-VOLT TAIL-LAMP Automobile / Truck  
1948-6-VOLT DOME-LAMP Automobile / Truck  
1948-6-VOLT INSTRUMENT-PANEL-LAMP Automobile / Truck  
1948-6-VOLT TAIL-LAMP Automobile / Truck  
1949-6-VOLT DOME-LAMP Automobile / Truck  
1949-6-VOLT INSTRUMENT-PANEL-LAMP Automobile / Truck  
1949-6-VOLT TAIL-LAMP Automobile / Truck  
1950-6-VOLT DOME-LAMP Automobile / Truck  
1950-6-VOLT INSTRUMENT-PANEL-LAMP Automobile / Truck  
1950-6-VOLT TAIL-LAMP Automobile / Truck  
1951 PARKING-LAMP Automobile / Truck  
1952 PARKING-LAMP Automobile / Truck  
1953 PARKING-LAMP Automobile / Truck  
1954 PARKING-LAMP Automobile / Truck  
1955 PARKING-LAMP Automobile / Truck

**Hendrickson**

1950-6-VOLT PARKING-LAMP Automobile / Truck  
1951-6-VOLT PARKING-LAMP Automobile / Truck  
1952-6-VOLT PARKING-LAMP Automobile / Truck  
1953-6-VOLT PARKING-LAMP Automobile / Truck  
1954-6-VOLT PARKING-LAMP Automobile / Truck  
1955-6-VOLT PARKING-LAMP Automobile / Truck  
1956-6-VOLT PARKING-LAMP Automobile / Truck

**Henry J**

1951 LICENSE-PLATE-LAMP Automobile  
1951 PARKING-LAMP Automobile  
1952 LICENSE-PLATE-LAMP Automobile  
1952 PARKING-LAMP Automobile  
1953-533 LICENSE-PLATE-LAMP Automobile

1953-533 PARKING-LAMP Automobile  
1953-534 LICENSE-PLATE-LAMP Automobile  
1953-534 PARKING-LAMP Automobile

**Hudson**

1937 LICENSE-PLATE-LAMP Automobile  
1938 LICENSE-PLATE-LAMP Automobile  
1939 LICENSE-PLATE-LAMP Automobile  
1940 LICENSE-PLATE-LAMP Automobile  
1941 LICENSE-PLATE-LAMP Automobile  
1942 LICENSE-PLATE-LAMP Automobile  
1946 LICENSE-PLATE-LAMP Automobile  
1946 PARKING-LAMP Automobile  
1947 LICENSE-PLATE-LAMP Automobile  
1947 PARKING-LAMP Automobile  
1948-COMMODORE LICENSE-PLATE-LAMP Automobile  
1948-COMMODORE PARKING-LAMP Automobile  
1948-SUPER LICENSE-PLATE-LAMP Automobile  
1948-SUPER PARKING-LAMP Automobile  
1949-COMMODORE LICENSE-PLATE-LAMP Automobile  
1949-COMMODORE PARKING-LAMP Automobile  
1949-SUPER LICENSE-PLATE-LAMP Automobile  
1949-SUPER PARKING-LAMP Automobile  
1950-COMMODORE LICENSE-PLATE-LAMP Automobile  
1950-COMMODORE PARKING-LAMP Automobile  
1950-SUPER LICENSE-PLATE-LAMP Automobile  
1950-SUPER PARKING-LAMP Automobile  
1951-COMMODORE LICENSE-PLATE-LAMP Automobile  
1951-COMMODORE PARKING-LAMP Automobile  
1951-SUPER LICENSE-PLATE-LAMP Automobile  
1951-SUPER PARKING-LAMP Automobile  
1952 LICENSE-PLATE-LAMP Automobile  
1952 PARKING-LAMP Automobile  
1953 LICENSE-PLATE-LAMP Automobile  
1953 PARKING-LAMP Automobile  
1954 LICENSE-PLATE-LAMP Automobile  
1954 PARKING-LAMP Automobile  
1955 LICENSE-PLATE-LAMP Automobile

**Hupmobile**

1938 LICENSE-PLATE-LAMP Automobile  
1938 PARKING-LAMP Automobile  
1939 LICENSE-PLATE-LAMP Automobile

1939 PARKING-LAMP Automobile  
1940 LICENSE-PLATE-LAMP Automobile  
1940 PARKING-LAMP Automobile  
1941 DOME-LAMP Automobile  
1941 LICENSE-PLATE-LAMP Automobile  
1941 PARKING-LAMP Automobile

**International**

1942-6-VOLT PARKING-LAMP Automobile / Truck  
1946-6-VOLT PARKING-LAMP Automobile / Truck  
1947-6-VOLT PARKING-LAMP Automobile / Truck  
1948-6-VOLT PARKING-LAMP Automobile / Truck  
1949-6-VOLT PARKING-LAMP Automobile / Truck  
1950-6-VOLT PARKING-LAMP Automobile / Truck  
1951-6-VOLT PARKING-LAMP Automobile / Truck  
1952-6-VOLT PARKING-LAMP Automobile / Truck  
1953-6-VOLT PARKING-LAMP Automobile / Truck  
1953-RM-120,150,RB-140 PARKING-LAMP Automobile / Truck  
1953-RM120,150,RB140 PARKING-LAMP Automobile / Truck  
1954-6-VOLT PARKING-LAMP Automobile / Truck  
1955-6-VOLT PARKING-LAMP Automobile / Truck

**Kaiser**

1947-SPECIAL LICENSE-PLATE-LAMP Automobile  
1947-SPECIAL PARKING-LAMP Automobile  
1948-CUSTOM LICENSE-PLATE-LAMP Automobile  
1948 LICENSE-PLATE-LAMP Automobile  
1948 PARKING-LAMP Automobile  
1949 LICENSE-PLATE-LAMP Automobile  
1949 PARKING-LAMP Automobile  
1951 LICENSE-PLATE-LAMP Automobile  
1951 PARKING-LAMP Automobile  
1952 LICENSE-PLATE-LAMP Automobile  
1953 LICENSE-PLATE-LAMP Automobile  
1953 PARKING-LAMP Automobile  
1954 LICENSE-PLATE-LAMP Automobile  
1954 PARKING-LAMP Automobile  
1955 LICENSE-PLATE-LAMP Automobile

**Kenworth**

1942-6-VOLT INSTRUMENT-PANEL-LAMP Automobile / Truck  
1942-6-VOLT PARKING-LAMP Automobile / Truck  
1942-6-VOLT TAIL-LAMP Automobile / Truck

**La Salle**

1939 LICENSE-PLATE-LAMP Automobile

1940 LICENSE-PLATE-LAMP Automobile

**Lincoln Zephyr**

1940 LICENSE-PLATE-LAMP Automobile

1941-CONTINENTAL DOME-LAMP Automobile

1941-CONTINENTAL INSTRUMENT-PANEL-LAMP Automobile

1941-CONTINENTAL LICENSE-PLATE-LAMP Automobile

1941-CUSTOM DOME-LAMP Automobile

1941-CUSTOM LICENSE-PLATE-LAMP Automobile

1941 DOME-LAMP Automobile

1941 LICENSE-PLATE-LAMP Automobile

1942 DOME-LAMP Automobile

1942 LICENSE-PLATE-LAMP Automobile

1946 DOME-LAMP Automobile

1946 LICENSE-PLATE-LAMP Automobile

1947 DOME-LAMP Automobile

1947 LICENSE-PLATE-LAMP Automobile

1948 DOME-LAMP Automobile

1948 LICENSE-PLATE-LAMP Automobile

1949 LICENSE-PLATE-LAMP Automobile

1950 LICENSE-PLATE-LAMP Automobile

1951 LICENSE-PLATE-LAMP Automobile

1952 DOME-LAMP Automobile

1952 LICENSE-PLATE-LAMP Automobile

1952 STEP-COURTESY-LAMP Automobile

1953 DOME-LAMP Automobile

1953 LICENSE-PLATE-LAMP Automobile

1953 MAP-LAMP Automobile

1953 STEP-COURTESY-LAMP Automobile

1953 TRUNK-COMPARTMENT-LAMP Automobile

1954 DOME-LAMP Automobile

1954 LICENSE-PLATE-LAMP Automobile

1954 TRUNK-COMPARTMENT-LAMP Automobile

1955-6-VOLT TRUNK-COMPARTMENT-LAMP Automobile

1955 DOME-LAMP Automobile

1955 LICENSE-PLATE-LAMP Automobile

**Mack**

1942-6-VOLT INSTRUMENT-PANEL-LAMP Automobile / Truck

1946-6-VOLT INSTRUMENT-PANEL-LAMP Automobile / Truck

1947-6-VOLT INSTRUMENT-PANEL-LAMP Automobile / Truck

**Mercury**

1939 DOME-LAMP Automobile

1939 LICENSE-PLATE-LAMP Automobile

1940 DOME-LAMP Automobile  
1940 LICENSE-PLATE-LAMP Automobile  
1941 DOME-LAMP Automobile  
1941 LICENSE-PLATE-LAMP Automobile  
1941 PARKING-LAMP Automobile  
1942 DOME-LAMP Automobile  
1942 LICENSE-PLATE-LAMP Automobile  
1942 PARKING-LAMP Automobile  
1942 STEP-COURTESY-LAMP Automobile  
1946 DOME-LAMP Automobile  
1946 LICENSE-PLATE-LAMP Automobile  
1946 PARKING-LAMP Automobile  
1946 STEP-COURTESY-LAMP Automobile  
1947 DOME-LAMP Automobile  
1947 LICENSE-PLATE-LAMP Automobile  
1947 PARKING-LAMP Automobile  
1947 STEP-COURTESY-LAMP Automobile  
1948 DOME-LAMP Automobile  
1948 LICENSE-PLATE-LAMP Automobile  
1948 PARKING-LAMP Automobile  
1948 STEP-COURTESY-LAMP Automobile  
1949 LICENSE-PLATE-LAMP Automobile  
1950 LICENSE-PLATE-LAMP Automobile  
1951 LICENSE-PLATE-LAMP Automobile  
1952 DOME-LAMP Automobile  
1952 LICENSE-PLATE-LAMP Automobile  
1952 STEP-COURTESY-LAMP Automobile  
1953 BRAKE-SIGNAL-LAMP Automobile  
1953 DOME-LAMP Automobile  
1953 LICENSE-PLATE-LAMP Automobile  
1953 STEP-COURTESY-LAMP Automobile  
1953 TRUNK-COMPARTMENT-LAMP Automobile  
1954 BRAKE-SIGNAL-LAMP Automobile  
1954 DOME-LAMP Automobile  
1954 LICENSE-PLATE-LAMP Automobile  
1954 STEP-COURTESY-LAMP Automobile  
1954 TRUNK-COMPARTMENT-LAMP Automobile  
1955-6-VOLT BRAKE-SIGNAL-LAMP Automobile  
1955-6-VOLT TRUNK-COMPARTMENT-LAMP Automobile  
1955 LICENSE-PLATE-LAMP Automobile  
**Nash**  
1937 LICENSE-PLATE-LAMP Automobile

1938 LICENSE-PLATE-LAMP Automobile  
1939 LICENSE-PLATE-LAMP Automobile  
1940 LICENSE-PLATE-LAMP Automobile  
1940 PARKING-LAMP Automobile  
1941 LICENSE-PLATE-LAMP Automobile  
1941 PARKING-LAMP Automobile  
1942 LICENSE-PLATE-LAMP Automobile  
1942 REAR-LAMP Automobile  
1946 LICENSE-PLATE-LAMP Automobile  
1946 PARKING-LAMP Automobile  
1946 REAR-LAMP Automobile  
1947 LICENSE-PLATE-LAMP Automobile  
1947 PARKING-LAMP Automobile  
1947 REAR-LAMP Automobile  
1948 LICENSE-PLATE-LAMP Automobile  
1948 PARKING-LAMP Automobile  
1948 REAR-LAMP Automobile  
1949 LICENSE-PLATE-LAMP Automobile  
1949 STEP-COURTESY-LAMP Automobile  
1950 LICENSE-PLATE-LAMP Automobile  
1950 STEP-COURTESY-LAMP Automobile  
1951-RAMBLER LICENSE-PLATE-LAMP Automobile  
1951 LICENSE-PLATE-LAMP Automobile  
1952-RAMBLER LICENSE-PLATE-LAMP Automobile  
1952 LICENSE-PLATE-LAMP Automobile  
1953-RAMBLER LICENSE-PLATE-LAMP Automobile  
1953 LICENSE-PLATE-LAMP Automobile  
1954-RAMBLER LICENSE-PLATE-LAMP Automobile  
1954 LICENSE-PLATE-LAMP Automobile  
1954 TRUNK-COMPARTMENT-LAMP Automobile  
1955-RAMBLER LICENSE-PLATE-LAMP Automobile  
1955 LICENSE-PLATE-LAMP Automobile  
**Oldsmobile**  
1937 LICENSE-PLATE-LAMP Automobile  
1938 LICENSE-PLATE-LAMP Automobile  
1939 LICENSE-PLATE-LAMP Automobile  
1940 LICENSE-PLATE-LAMP Automobile  
1940 PARKING-LAMP Automobile  
1941 LICENSE-PLATE-LAMP Automobile  
1942 LICENSE-PLATE-LAMP Automobile  
1942 PARKING-LAMP Automobile  
1943 LICENSE-PLATE-LAMP Automobile

1943 PARKING-LAMP Automobile  
1944 LICENSE-PLATE-LAMP Automobile  
1944 PARKING-LAMP Automobile  
1945 LICENSE-PLATE-LAMP Automobile  
1945 PARKING-LAMP Automobile  
1946 LICENSE-PLATE-LAMP Automobile  
1946 PARKING-LAMP Automobile  
1947-SERIES-60 LICENSE-PLATE-LAMP Automobile  
1947-SERIES-60 PARKING-LAMP Automobile  
1947-SERIES-70 LICENSE-PLATE-LAMP Automobile  
1947-SERIES-70 PARKING-LAMP Automobile  
1948-SERIES-60 LICENSE-PLATE-LAMP Automobile  
1948-SERIES-60 PARKING-LAMP Automobile  
1948-SERIES-70 LICENSE-PLATE-LAMP Automobile  
1948-SERIES-70 PARKING-LAMP Automobile  
1948-SERIES-90 LICENSE-PLATE-LAMP Automobile  
1948-SERIES-90 PARKING-LAMP Automobile  
1949-SERIES-76 LICENSE-PLATE-LAMP Automobile  
1949-SERIES-76 PARKING-LAMP Automobile  
1949-SERIES-88 LICENSE-PLATE-LAMP Automobile  
1949-SERIES-88 PARKING-LAMP Automobile  
1949-SERIES-98 LICENSE-PLATE-LAMP Automobile  
1950-SERIES-76 LICENSE-PLATE-LAMP Automobile  
1950-SERIES-76 PARKING-LAMP Automobile  
1950-SERIES-88 LICENSE-PLATE-LAMP Automobile  
1950-SERIES-88 PARKING-LAMP Automobile  
1950-SERIES-98 LICENSE-PLATE-LAMP Automobile  
1950-SERIES-98 PARKING-LAMP Automobile  
1950-SW-SERIES-76 LICENSE-PLATE-LAMP Automobile  
1950-SW-SERIES-76 PARKING-LAMP Automobile  
1950-SW-SERIES-76 REAR-LAMP Automobile  
1950-SW-SERIES-88 LICENSE-PLATE-LAMP Automobile  
1950-SW-SERIES-88 PARKING-LAMP Automobile  
1950-SW-SERIES-88 REAR-LAMP Automobile  
1951-SERIES-88 LICENSE-PLATE-LAMP Automobile  
1951-SERIES-88 PARKING-LAMP Automobile  
1951-SERIES-98 LICENSE-PLATE-LAMP Automobile  
1952-SERIES-88 LICENSE-PLATE-LAMP Automobile  
1952-SERIES-88 PARKING-LAMP Automobile  
1952-SERIES-98 LICENSE-PLATE-LAMP Automobile  
1957 IGNITION-SWITCH-LAMP Automobile

**Oshkosh**

1941-6-VOLT DOME-LAMP Automobile / Truck  
1941-6-VOLT INSTRUMENT-PANEL-LAMP Automobile / Truck  
1941-6-VOLT PARKING-LAMP Automobile / Truck  
1941-6-VOLT TAIL-LAMP Automobile / Truck  
1942-6-VOLT DOME-LAMP Automobile / Truck  
1942-6-VOLT INSTRUMENT-PANEL-LAMP Automobile / Truck  
1942-6-VOLT PARKING-LAMP Automobile / Truck  
1942-6-VOLT TAIL-LAMP Automobile / Truck  
1944-6-VOLT INSTRUMENT-PANEL-LAMP Automobile / Truck  
1944-6-VOLT PARKING-LAMP Automobile / Truck  
1944-6-VOLT TAIL-LAMP Automobile / Truck  
1945-6-VOLT INSTRUMENT-PANEL-LAMP Automobile / Truck  
1945-6-VOLT PARKING-LAMP Automobile / Truck  
1945-6-VOLT TAIL-LAMP Automobile / Truck  
1946-6-VOLT INSTRUMENT-PANEL-LAMP Automobile / Truck  
1946-6-VOLT PARKING-LAMP Automobile / Truck  
1946-6-VOLT TAIL-LAMP Automobile / Truck  
1947-6-VOLT INSTRUMENT-PANEL-LAMP Automobile / Truck  
1947-6-VOLT PARKING-LAMP Automobile / Truck  
1947-6-VOLT TAIL-LAMP Automobile / Truck

**Packard**

1937 LICENSE-PLATE-LAMP Automobile  
1937 REAR-LAMP Automobile  
1938-6,120 LICENSE-PLATE-LAMP Automobile  
1938-6,120 REAR-LAMP Automobile  
1938-SUPER-8,12 LICENSE-PLATE-LAMP Automobile  
1938-SUPER-8,12 REAR-LAMP Automobile  
1938-SUPER8,12 LICENSE-PLATE-LAMP Automobile  
1938-SUPER8,12 REAR-LAMP Automobile  
1939-12 LICENSE-PLATE-LAMP Automobile  
1939-12 REAR-LAMP Automobile  
1939-6,120,SUPER-8 LICENSE-PLATE-LAMP Automobile  
1939-6,120,SUPER8 LICENSE-PLATE-LAMP Automobile  
1940 LICENSE-PLATE-LAMP Automobile  
1941 LICENSE-PLATE-LAMP Automobile  
1942 LICENSE-PLATE-LAMP Automobile  
1942 STEP-COURTESY-LAMP Automobile  
1946 LICENSE-PLATE-LAMP Automobile  
1946 STEP-COURTESY-LAMP Automobile  
1947 LICENSE-PLATE-LAMP Automobile  
1947 STEP-COURTESY-LAMP Automobile  
1948-DELUXE,SUPER,CUSTOM LICENSE-PLATE-



LAMP Automobile

1948-STANDARD LICENSE-PLATE-LAMP Automobile

1948-STANDARD PARKING-LAMP Automobile

1949-DELUXE,SUPER,CUSTOM LICENSE-PLATE-  
LAMP Automobile

1949-STANDARD LICENSE-PLATE-LAMP Automobile

1949-STANDARD PARKING-LAMP Automobile

1950-STANDARD,DELUXE,SUPER,CUSTOM LICENSE-PLATE-  
LAMP Automobile

1950-TAXI LICENSE-PLATE-LAMP Automobile

1950-TAXI PARKING-LAMP Automobile

1951 LICENSE-PLATE-LAMP Automobile

1952 LICENSE-PLATE-LAMP Automobile

1953-2601,2611,2631 LICENSE-PLATE-LAMP Automobile

1953-2602,2606,2626 LICENSE-PLATE-LAMP Automobile

1953-2602,2606,2626 REAR-LAMP Automobile

1954 LICENSE-PLATE-LAMP Automobile

1954 REAR-LAMP Automobile

**Plymouth**

1936 LICENSE-PLATE-LAMP Automobile

1937 LICENSE-PLATE-LAMP Automobile

1938 LICENSE-PLATE-LAMP Automobile

1939 LICENSE-PLATE-LAMP Automobile

1940 LICENSE-PLATE-LAMP Automobile

1941 LICENSE-PLATE-LAMP Automobile

1941 REAR-LAMP Automobile

1942 LICENSE-PLATE-LAMP Automobile

1942 PARKING-LAMP Automobile

1942 REAR-LAMP Automobile

1946 LICENSE-PLATE-LAMP Automobile

1946 PARKING-LAMP Automobile

1946 REAR-LAMP Automobile

1947 LICENSE-PLATE-LAMP Automobile

1947 PARKING-LAMP Automobile

1947 REAR-LAMP Automobile

1948 LICENSE-PLATE-LAMP Automobile

1948 PARKING-LAMP Automobile

1948 REAR-LAMP Automobile

1949 INSTRUMENT-PANEL-LAMP Automobile

1949 LICENSE-PLATE-LAMP Automobile

1949 PARKING-LAMP Automobile

1949 REAR-LAMP Automobile

1950 INSTRUMENT-PANEL-LAMP Automobile  
1950 LICENSE-PLATE-LAMP Automobile  
1950 PARKING-LAMP Automobile  
1950 REAR-LAMP Automobile  
1951 LICENSE-PLATE-LAMP Automobile  
1951 PARKING-LAMP Automobile  
1952 LICENSE-PLATE-LAMP Automobile  
1952 PARKING-LAMP Automobile  
1953 INSTRUMENT-PANEL-LAMP Automobile  
1953 LICENSE-PLATE-LAMP Automobile  
1953 PARKING-LAMP Automobile  
1954 LICENSE-PLATE-LAMP Automobile  
1954 PARKING-LAMP Automobile  
1955 LICENSE-PLATE-LAMP Automobile  
1955 PARKING-LAMP Automobile

**Pontiac**

1937 REAR-LAMP Automobile  
1938 REAR-LAMP Automobile  
1939 LICENSE-PLATE-LAMP Automobile  
1940 LICENSE-PLATE-LAMP Automobile  
1940 PARKING-LAMP Automobile  
1941 LICENSE-PLATE-LAMP Automobile  
1941 PARKING-LAMP Automobile  
1942 LICENSE-PLATE-LAMP Automobile  
1942 PARKING-LAMP Automobile  
1946 LICENSE-PLATE-LAMP Automobile  
1946 PARKING-LAMP Automobile  
1947 LICENSE-PLATE-LAMP Automobile  
1947 PARKING-LAMP Automobile  
1948 LICENSE-PLATE-LAMP Automobile  
1948 PARKING-LAMP Automobile  
1949 LICENSE-PLATE-LAMP Automobile  
1949 PARKING-LAMP Automobile  
1950 LICENSE-PLATE-LAMP Automobile  
1950 PARKING-LAMP Automobile  
1951 LICENSE-PLATE-LAMP Automobile  
1951 PARKING-LAMP Automobile  
1952 LICENSE-PLATE-LAMP Automobile  
1952 PARKING-LAMP Automobile  
1953-DELUXE LICENSE-PLATE-LAMP Automobile  
1953-DELUXE PARKING-LAMP Automobile  
1953-SPECIAL LICENSE-PLATE-LAMP Automobile

1953-SPECIAL PARKING-LAMP Automobile  
1954 LICENSE-PLATE-LAMP Automobile  
1954 PARKING-LAMP Automobile

**Prefect**

PRE-1958 INSTRUMENT-PANEL-LAMP Automobile  
PRE-1958 PARKING-LAMP Automobile

**Renault**

PRE-1958 INSTRUMENT-PANEL-LAMP Automobile  
PRE-1958 LICENSE-PLATE-LAMP Automobile  
PRE-1958 PARKING-LAMP Automobile  
PRE-1958 REAR-LAMP Automobile

**REO**

1941 INSTRUMENT-PANEL-LAMP Automobile / Truck  
1941 PARKING-LAMP Automobile / Truck  
1942 INSTRUMENT-PANEL-LAMP Automobile / Truck  
1942 PARKING-LAMP Automobile / Truck

1946-6-VOLT INSTRUMENT-PANEL-LAMP Automobile / Truck  
1947-6-VOLT INSTRUMENT-PANEL-LAMP Automobile / Truck  
1948-6-VOLT INSTRUMENT-PANEL-LAMP Automobile / Truck  
1949-6-VOLT INSTRUMENT-PANEL-LAMP Automobile / Truck  
1954-6-VOLT INSTRUMENT-PANEL-LAMP Automobile / Truck

**Seagrave**

1946-6-VOLT INSTRUMENT-PANEL-LAMP Automobile / Truck  
1946-6-VOLT TAIL-LAMP Automobile / Truck  
1947-6-VOLT INSTRUMENT-PANEL-LAMP Automobile / Truck  
1947-6-VOLT TAIL-LAMP Automobile / Truck  
1948-6-VOLT INSTRUMENT-PANEL-LAMP Automobile / Truck  
1948-6-VOLT TAIL-LAMP Automobile / Truck  
1949-6-VOLT INSTRUMENT-PANEL-LAMP Automobile / Truck  
1949-6-VOLT TAIL-LAMP Automobile / Truck  
1950-6-VOLT INSTRUMENT-PANEL-LAMP Automobile / Truck  
1950-6-VOLT TAIL-LAMP Automobile / Truck  
1951-6-VOLT INSTRUMENT-PANEL-LAMP Automobile / Truck  
1951-6-VOLT TAIL-LAMP Automobile / Truck

**Stewart**

1942-6-VOLT INSTRUMENT-PANEL-LAMP Automobile / Truck  
1942-6-VOLT TAIL-LAMP Automobile / Truck

**Storz / Negus**

BRONCHOSKOPE Medical Vacuum  
LARYNGOSCOPE Medical Halogen

**Studebaker**

1937 DOME-LAMP Automobile  
1938 LICENSE-PLATE-LAMP Automobile  
1939 LICENSE-PLATE-LAMP Automobile  
1940 LICENSE-PLATE-LAMP Automobile  
1941 LICENSE-PLATE-LAMP Automobile  
1942 LICENSE-PLATE-LAMP Automobile  
1943 LICENSE-PLATE-LAMP Automobile  
1944 LICENSE-PLATE-LAMP Automobile  
1945 LICENSE-PLATE-LAMP Automobile  
1946 LICENSE-PLATE-LAMP Automobile  
1947-COMMANDER LICENSE-PLATE-LAMP Automobile  
1947-COMMANDER PARKING-LAMP Automobile  
1947 LICENSE-PLATE-LAMP Automobile  
1948-CHAMPION LICENSE-PLATE-LAMP Automobile  
1948-COMMANDER LICENSE-PLATE-LAMP Automobile  
1948-COMMANDER PARKING-LAMP Automobile  
1949-CHAMPION LICENSE-PLATE-LAMP Automobile  
1949-COMMANDER LICENSE-PLATE-LAMP Automobile  
1949-COMMANDER PARKING-LAMP Automobile  
1950 LICENSE-PLATE-LAMP Automobile  
1950 PARKING-LAMP Automobile / Truck  
1951 LICENSE-PLATE-LAMP Automobile  
1951 PARKING-LAMP Automobile / Truck  
1952 LICENSE-PLATE-LAMP Automobile  
1952 PARKING-LAMP Automobile / Truck  
1953-CHAMPION LICENSE-PLATE-LAMP Automobile  
1953-CHAMPION PARKING-LAMP Automobile  
1953-COMMANDER LICENSE-PLATE-LAMP Automobile  
1953-COMMANDER PARKING-LAMP Automobile  
1954 LICENSE-PLATE-LAMP Automobile  
1954 PARKING-LAMP Automobile / Truck  
1954 TRUNK-COMPARTMENT-LAMP Automobile  
1954 UNDER-HOOD-LAMP Automobile  
1955-6-VOLT TRUNK-COMPARTMENT-LAMP Automobile  
1955 LICENSE-PLATE-LAMP Automobile  
1955 PARKING-LAMP Automobile / Truck

**Volkswagen**  
PRE-1958 DOME-LAMP Automobile  
PRE-1958 LICENSE-PLATE-LAMP Automobile  
PRE-1958 REAR-LAMP Automobile  
PRE-1958 STOP-LAMP Automobile

**Walter Voss Incorporated**

1947-6-VOLT INSTRUMENT-PANEL-LAMP Automobile / Truck  
1947-6-VOLT TAIL-LAMP Automobile / Truck  
1948-6-VOLT INSTRUMENT-PANEL-LAMP Automobile / Truck  
1948-6-VOLT TAIL-LAMP Automobile / Truck  
1949-6-VOLT INSTRUMENT-PANEL-LAMP Automobile / Truck  
1949-6-VOLT TAIL-LAMP Automobile / Truck  
1950-6-VOLT INSTRUMENT-PANEL-LAMP Automobile / Truck  
1950-6-VOLT TAIL-LAMP Automobile / Truck  
1951-6-VOLT INSTRUMENT-PANEL-LAMP Automobile / Truck  
1951-6-VOLT TAIL-LAMP Automobile / Truck  
1952-6-VOLT INSTRUMENT-PANEL-LAMP Automobile / Truck  
1952-6-VOLT TAIL-LAMP Automobile / Truck  
1953-6-VOLT INSTRUMENT-PANEL-LAMP Automobile / Truck  
1953-6-VOLT TAIL-LAMP Automobile / Truck

**White**

1941-WHITE-HORSE-6-VOLT-WA INSTRUMENT-PANEL-  
LAMP Automobile / Truck  
1941-WHITE-HORSE-6-VOLT-WA PARKING-LAMP Automobile /  
Truck  
1942-WHITE-HORSE-6-VOLT-WA INSTRUMENT-PANEL-  
LAMP Automobile / Truck  
1942-WHITE-HORSE-6-VOLT-WA PARKING-LAMP Automobile /  
Truck  
1946-6-VOLT-WB PARKING-LAMP Automobile / Truck  
1946-WHITE-HORSE-6-VOLT-WA INSTRUMENT-PANEL-  
LAMP Automobile / Truck  
1946-WHITE-HORSE-6-VOLT-WA PARKING-LAMP Automobile /  
Truck  
1947-6-VOLT-WB PARKING-LAMP Automobile / Truck  
1947-WHITE-HORSE-6-VOLT-WA INSTRUMENT-PANEL-  
LAMP Automobile / Truck  
1947-WHITE-HORSE-6-VOLT-WA PARKING-LAMP Automobile /  
Truck  
1948-WHITE-HORSE-6-VOLT-WA INSTRUMENT-PANEL-  
LAMP Automobile / Truck  
1948-WHITE-HORSE-6-VOLT-WA PARKING-LAMP Automobile /  
Truck  
1949-6-VOLT-3018,3020 PARKING-LAMP Automobile / Truck  
1949-WHITE-HORSE-6-VOLT-WA INSTRUMENT-PANEL-  
LAMP Automobile / Truck  
1949-WHITE-HORSE-6-VOLT-WA PARKING-LAMP Automobile /  
Truck

1950-6-VOLT-3016,3026 PARKING-LAMP Automobile / Truck  
1950-6-VOLT-WA INSTRUMENT-PANEL-LAMP Automobile / Truck  
1950-6-VOLT-WA PARKING-LAMP Automobile / Truck

**Willys**

1937 DOME-LAMP Automobile  
1937 INSTRUMENT-PANEL-LAMP Automobile  
1937 LICENSE-PLATE-LAMP Automobile  
1938 DOME-LAMP Automobile  
1938 INSTRUMENT-PANEL-LAMP Automobile  
1938 LICENSE-PLATE-LAMP Automobile  
1939 DOME-LAMP Automobile  
1939 INSTRUMENT-PANEL-LAMP Automobile  
1939 LICENSE-PLATE-LAMP Automobile  
1940 DOME-LAMP Automobile  
1940 INSTRUMENT-PANEL-LAMP Automobile  
1940 LICENSE-PLATE-LAMP Automobile  
1941 DOME-LAMP Automobile  
1941 LICENSE-PLATE-LAMP Automobile  
1942 DOME-LAMP Automobile  
1942 LICENSE-PLATE-LAMP Automobile  
1946-CIV-JEEP INSTRUMENT-PANEL-LAMP Automobile / Truck  
1946-CIV-JEEP PARKING-LAMP Automobile / Truck  
1947-CIV-JEEP INSTRUMENT-PANEL-LAMP Automobile / Truck  
1947-CIV-JEEP PARKING-LAMP Automobile / Truck  
1947-STATION-WAGON PARKING-LAMP Automobile  
1948-4-T,2-T PARKING-LAMP Automobile / Truck  
1948-4T,2T PARKING-LAMP Automobile / Truck  
1948-CIV-JEEP INSTRUMENT-PANEL-LAMP Automobile / Truck  
1948-CIV-JEEP PARKING-LAMP Automobile / Truck  
1948-STATION-WAGON PARKING-LAMP Automobile  
1949-CIV-JEEP INSTRUMENT-PANEL-LAMP Automobile / Truck  
1949-CIV-JEEP PARKING-LAMP Automobile / Truck  
1950 INSTRUMENT-PANEL-LAMP Automobile / Truck  
1951 INSTRUMENT-PANEL-LAMP Automobile / Truck  
1952-CIV-JEEP INSTRUMENT-PANEL-LAMP Automobile  
1952 LICENSE-PLATE-LAMP Automobile  
1953-JEEP INSTRUMENT-PANEL-LAMP Automobile  
1953-JEEP PARKING-LAMP Automobile  
1953-LARK,ACE,EAGLE LICENSE-PLATE-LAMP Automobile  
1953-LARK,ACE,EAGLE PARKING-LAMP Automobile  
1953-STATION-WAGON LICENSE-PLATE-LAMP Automobile  
1954-JEEP-CJ-3-B INSTRUMENT-PANEL-LAMP Automobile

	<p>1954-JEEP-CJ-3-B PARKING-LAMP Automobile 1954-JEEP-CJ3B INSTRUMENT-PANEL-LAMP Automobile 1954-JEEP-CJ3B PARKING-LAMP Automobile 1954-STANDARD LICENSE-PLATE-LAMP Automobile 1954-STANDARD PARKING-LAMP Automobile 1954 PARKING-LAMP Automobile / Truck 1955-JEEP PARKING-LAMP Automobile 1955-PASS-CAR LICENSE-PLATE-LAMP Automobile 1955-STATION-WAGON LICENSE-PLATE-LAMP Automobile 1955 PARKING-LAMP Automobile / Truck 1956 LICENSE-PLATE-LAMP Automobile 1956 PARKING-LAMP Automobile / Truck 1957 LICENSE-PLATE-LAMP Automobile 1957 PARKING-LAMP Automobile / Truck</p>
--	---