

miniature light bulb lamp **81 AC DELCO**
(81 AC/DELCO)

is known as: **81 6.5V 1.02A USA**
(81/6.5V/1.02A USA)

category: **Miniature**

volt: **6.5**

amp: **1.02**

watt: **6.63**

base: **BA15s** - Single Contact Candelabra Bayonet (or S.C.Bayonet)

glass: **G6**

filament: **C2R**

fil.res.: **6.37** ohm

m.o.l.: **1.44** inch (36.58MM)

l.c.l.: **0.752** inch (19MM)

d.hours: **500**

notes: FOR 12 VOLT USE: [89 USA](#)

Instrument Lamp

aircraft lamp

automobile lamp

clear glass

ground service lamp

incandescent

indicator lamp

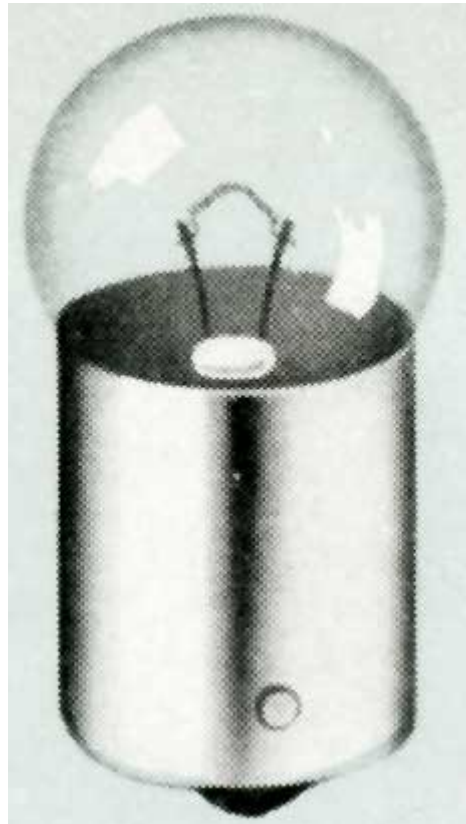
interior lamp

side lamp

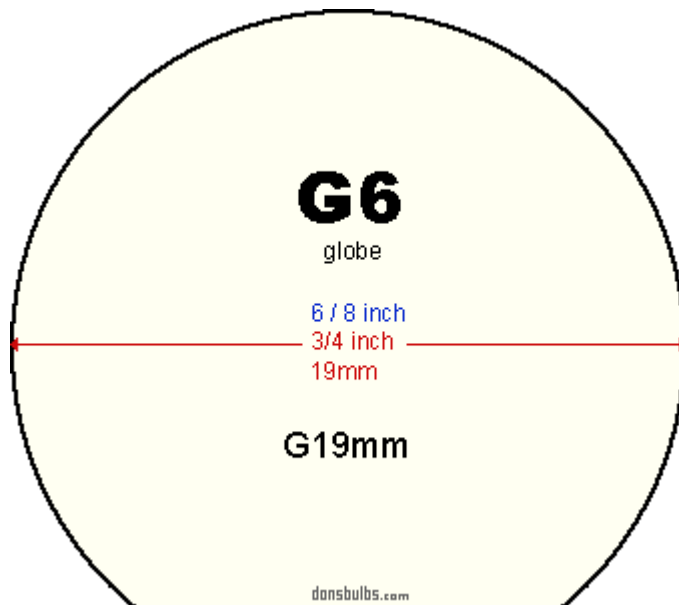
tail lamp

verified against ANSI-SR25D1997


uses socket: [DB-BA15S1](#)

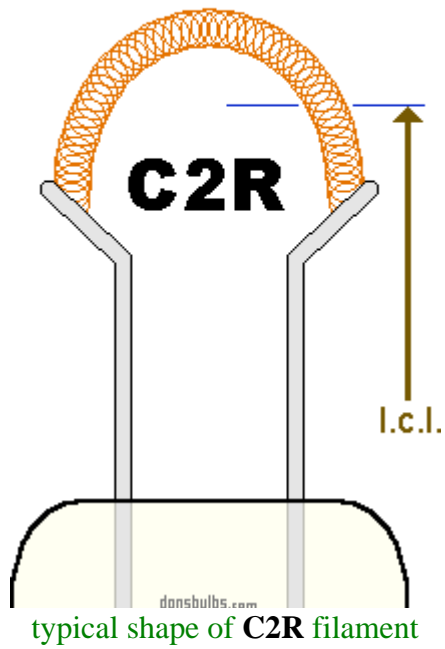


typical photo of 81 6.5V 1.02A USA bulb type



typical shape of G6 glass envelopes

filament
close-up view:

C = coiled



BA15s

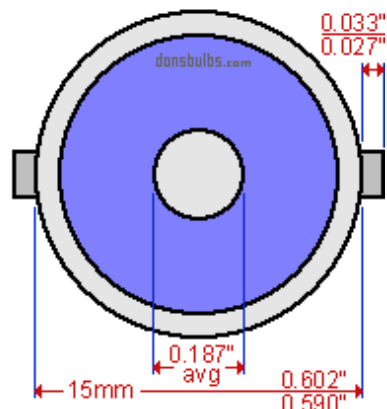
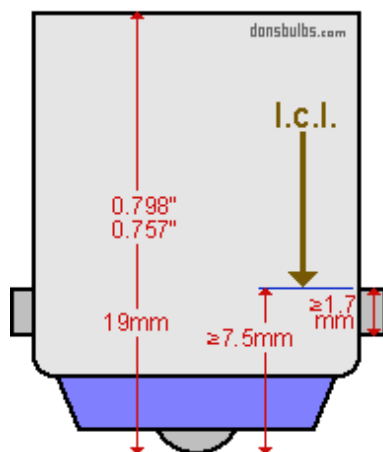
B15s
single contact bayonet
SC bayonet
single contact candelabra bayonet
SCC (British single centre contact)

IEC7004-11A9
DIN49720

IEC7005-13
DIN49642T6

E
E25W
F
F15W
G
P
P21W
R
R5W
R10W
R18W
R21W
U
U45W

A18B
A18C
A18F
A18G
SCC
SC



industry standards for base: **BA15s** - Single Contact Candelabra Bayonet (or S.C.Bayonet)

81 6.5V 1.02A USA

also known as **Cross-Reference:**

6.5-007-04 CANIMPEX

6.5-007-04 MICROLITES

81-205 MAZDA

81-205 USA

81-N CHICAGO-MINIATURE

81/6V/6CP CANDLEPOWER-INCORPORATED

81/6V/6CP USA

81/6.5V/1.02A CEC

81/6.5V/1.02A USA

81/205 MAZDA

81/205 USA

81/N CHICAGO-MINIATURE

81 205 MAZDA

81 205 USA

81 AC/DELCO

81 ANSI

81 BULB-DIRECT

81 CANDLEPOWER-INCORPORATED

81 CEC

81 CHICAGO-MINIATURE

81 EIKO

81 GENERAL-ELECTRIC

81 GENERAL-INSTRUMENT

81 INTERLIGHT

81 LECTRA

81 LUGON

81 MAZDA

81 N CHICAGO-MINIATURE

81 NORMAN

81 STANDARDPRO

81 USA

81N CHICAGOMINIATURE

105 LUCAS

2011 FOCUS

2206 OSRAM

2639 TUNGSRAM

4113 STANLEY

6240-00-014-2306 FEDERAL-STOCK-NUMBER

13650 STANDARDPRO

15570-81 MILITARY-STANDARD

15570/81

15570 81

1550947 GENERAL-MOTORS

031293409584 EIKO
69549136502
69549136502UPC STANDARDPRO
6240000142306

AB-2402

AB/2402

AB 2402

AB2402

AT-3113 AIDLITE

AT-4103

AT/3113 AIDLITE

AT/4103

AT 3113 AIDLITE

AT 4103

AT3113 AIDLITE

AT4103

CNC-M-1818-A

CNC/M/1818/A

CNC M 1818 A

CNCM1818A

DLA412-92D4015-0140

E-81

E/81

E 81

E81

G6/CL/6.5V/1.02A/BA15S STANDARDPRO

I/7V/1.02A/BA15S/G6

I/7V/7W/BA15S/G6

L81 AC/DELCO

M-1818-A

M-1818-A-CNC

M/1818/A

M/1818/A/CNC

M 1818 A CNC

M1818A

M1818ACNC

MB-00810

MB/00810

MB 00810

MB00810

W-L-00111/23 FEDERAL-STOCK-NUMBER

81 6.5V 1.02A USA

have been found in equipment:

Argus Incorporated

- 2110 POCKET-SHOWMASTER-SLIDE-THEATER 8mm Projector Movie
- 2110 POCKET-SLIDE-THEATRE 8mm Projector Movie
- 2110 SHOWMASTER 8mm Projector Movie
- 2110 SLIDE 8mm Projector Movie
- 2110 THEATER 8mm Projector Movie
- 2804 POCKET-SHOWMASTER-SLIDE-THEATER 8mm Projector Movie
- 2804 POCKET-SLIDE-THEATRE 8mm Projector Movie
- 2804 SHOWMASTER 8mm Projector Movie
- 2804 SLIDE 8mm Projector Movie
- 2804 THEATER 8mm Projector Movie
- 2808 POCKET-SHOWMASTER-SLIDE-THEATER 8mm Projector Movie
- 2808 POCKET-SLIDE-THEATRE 8mm Projector Movie
- 2808 SHOWMASTER 8mm Projector Movie
- 2808 SLIDE 8mm Projector Movie
- 2808 THEATER 8mm Projector Movie
- 2810 POCKET-SHOWMASTER-SLIDE-THEATER 8mm Projector Movie
- 2810 POCKET-SLIDE-THEATRE 8mm Projector Movie
- 2810 SHOWMASTER 8mm Projector Movie
- 2810 SLIDE 8mm Projector Movie
- 2810 THEATER 8mm Projector Movie

Brockway

- 1947-6-VOLT DOME-LAMP Automobile / Truck
- 1948-6-VOLT DOME-LAMP Automobile / Truck
- 1949-6-VOLT DOME-LAMP Automobile / Truck
- 1956-6-VOLT PARKING-LAMP Automobile / Truck
- 1957-6-VOLT PARKING-LAMP Automobile / Truck

Buick

- 1937 DOME-LAMP Automobile
- 1938 DOME-LAMP Automobile
- 1939 DOME-LAMP Automobile
- 1940 DOME-LAMP Automobile
- 1953-SERIES-40 TRUNK-COMPARTMENT-LAMP Automobile

Canadair

- CL-600 Aircraft
- CL600 Aircraft

Casa

- C-212 Aircraft

Checker Cab

- 1948 DOME-LAMP Automobile / Truck
- 1949 DOME-LAMP Automobile / Truck
- 1950 DOME-LAMP Automobile / Truck
- 1951 DOME-LAMP Automobile / Truck

1952 DOME-LAMP Automobile / Truck
1953 DOME-LAMP Automobile / Truck
1954 DOME-LAMP Automobile / Truck
1955 DOME-LAMP Automobile / Truck

Chevrolet

1937 DOME-LAMP Automobile
1938 DOME-LAMP Automobile
1939-COACH DOME-LAMP Automobile
1939-SEDAN DOME-LAMP Automobile
1939 DOME-LAMP Automobile
1940 DOME-LAMP Automobile
1941 DOME-LAMP Automobile / Truck
1942 DOME-LAMP Automobile / Truck
1946 DOME-LAMP Automobile / Truck
1947 DOME-LAMP Automobile / Truck
1948 DOME-LAMP Automobile / Truck
1949 DOME-LAMP Automobile / Truck

Chrysler

1942 INSTRUMENT-PANEL-LAMP Automobile
1946 INSTRUMENT-PANEL-LAMP Automobile
1947 INSTRUMENT-PANEL-LAMP Automobile
1948 INSTRUMENT-PANEL-LAMP Automobile

Dehavalland

DHC-7 Aircraft
DHC7 Aircraft

Desoto

1946 INSTRUMENT-PANEL-LAMP Automobile
1947 INSTRUMENT-PANEL-LAMP Automobile
1948 INSTRUMENT-PANEL-LAMP Automobile

Diamond T

1944-6-VOLT DOME-LAMP Automobile / Truck
1945-6-VOLT DOME-LAMP Automobile / Truck
1946-6-VOLT DOME-LAMP Automobile / Truck

Dodge

1946 INSTRUMENT-PANEL-LAMP Automobile / Truck
1947 INSTRUMENT-PANEL-LAMP Automobile / Truck
1948 INSTRUMENT-PANEL-LAMP Automobile / Truck

Duplex

1950-6-VOLT INSTRUMENT-PANEL-LAMP Automobile / Truck
1951-6-VOLT INSTRUMENT-PANEL-LAMP Automobile / Truck

Elmo

642 Projector Slide / Filmstrip
650 Projector Slide / Filmstrip
652 Projector Slide / Filmstrip

Federal Manufacturing Engineering Corporation

1944-6-VOLT DOME-LAMP Automobile / Truck
1945-6-VOLT DOME-LAMP Automobile / Truck
1946-6-VOLT DOME-LAMP Automobile / Truck
1947-6-VOLT DOME-LAMP Automobile / Truck
1948-6-VOLT DOME-LAMP Automobile / Truck
1950-6-VOLT DOME-LAMP Automobile / Truck
1951-6-VOLT DOME-LAMP Automobile / Truck
1952-6-VOLT DOME-LAMP Automobile / Truck
1953-6-VOLT DOME-LAMP Automobile / Truck
1954-6-VOLT DOME-LAMP Automobile / Truck
1955-6-VOLT DOME-LAMP Automobile / Truck

Ford

1949 DOME-LAMP Automobile
1950-6-VOLT DOME-LAMP Automobile / Truck
1950 DOME-LAMP Automobile
1951-6-VOLT DOME-LAMP Automobile / Truck
1952-6-VOLT DOME-LAMP Automobile / Truck
1953-PANEL,PARCEL-DELIVERY DOME-LAMP Automobile / Truck
1953 DOME-LAMP Automobile / Truck
1953 TRUNK-COMPARTMENT-LAMP Automobile
1954 DOME-LAMP Automobile / Truck
1954 TRUNK-COMPARTMENT-LAMP Automobile
1955-6-VOLT TRUNK-COMPARTMENT-LAMP Automobile
1955 DOME-LAMP Automobile / Truck
1956-12-VOLT DOME-LAMP Automobile / Truck
1957-12-VOLT DOME-LAMP Automobile / Truck

Frazer

1949 STEP-COURTESY-LAMP Automobile

GMC

1940 DOME-LAMP Automobile / Truck
1941 DOME-LAMP Automobile / Truck
1942-500,890;EFP-240 DOME-LAMP Automobile / Truck
1942-500,890;EFP240 DOME-LAMP Automobile / Truck
1946-500,890;EFP-240 DOME-LAMP Automobile / Truck
1946-500,890;EFP240 DOME-LAMP Automobile / Truck
1947-500,890;EFP-240 DOME-LAMP Automobile / Truck
1947-500,890;EFP240 DOME-LAMP Automobile / Truck
1948-500,890;EFP-240 DOME-LAMP Automobile / Truck
1948-500,890;EFP240 DOME-LAMP Automobile / Truck

Henry J

1953 MAP-LAMP Automobile

Honeywell and GoldE Manufacturing Company

100 RONDELLE Projector Slide / Filmstrip
642 Projector Slide / Filmstrip
650 Projector Slide / Filmstrip

652 Projector Slide / Filmstrip

Hudson

1948-COMMODORE DOME-LAMP Automobile
1949-COMMODORE DOME-LAMP Automobile
1950-COMMODORE DOME-LAMP Automobile
1951-COMMODORE DOME-LAMP Automobile
1952 DOME-LAMP Automobile
1953 STEP-COURTESY-LAMP Automobile
1954 DOME-LAMP Automobile
1955-6-VOLT GLOVE-BOX-LAMP Automobile
1955-6-VOLT MAP-LAMP Automobile
1955-6-VOLT TRUNK-COMPARTMENT-LAMP Automobile
1955 DOME-LAMP Automobile

Hupmobile

1938 DOME-LAMP Automobile
1939 DOME-LAMP Automobile
1940 DOME-LAMP Automobile

Kaiser

1951 DOME-LAMP Automobile
1952 DOME-LAMP Automobile
1953 DOME-LAMP Automobile
1953 MAP-LAMP Automobile
1954 DOME-LAMP Automobile
1954 MAP-LAMP Automobile
1955-6-VOLT TRUNK-COMPARTMENT-LAMP Automobile
1955 DOME-LAMP Automobile
1955 STEP-COURTESY-LAMP Automobile

Lincoln Zephyr

1936 DOME-LAMP Automobile
1936 INSTRUMENT-PANEL-LAMP Automobile
1938 DOME-LAMP Automobile
1938 LICENSE-PLATE-LAMP Automobile
1939 DOME-LAMP Automobile
1939 INSTRUMENT-PANEL-LAMP Automobile
1939 LICENSE-PLATE-LAMP Automobile
1940 DOME-LAMP Automobile
1940 INSTRUMENT-PANEL-LAMP Automobile
1941-CUSTOM DOME-LAMP Automobile
1942 DOME-LAMP Automobile
1949 DOME-LAMP Automobile
1950 DOME-LAMP Automobile
1951 DOME-LAMP Automobile
1954 MAP-LAMP Automobile

Mercury

1949 DOME-LAMP Automobile

1950 DOME-LAMP Automobile
1951 DOME-LAMP Automobile
1953 MAP-LAMP Automobile
1954 MAP-LAMP Automobile
1955-6-VOLT CIGAR-LIGHTER-LAMP Automobile
1955-6-VOLT MAP-LAMP Automobile
1955 STEP-COURTESY-LAMP Automobile

Nash

1937 DOME-LAMP Automobile
1938 DOME-LAMP Automobile
1939 DOME-LAMP Automobile
1940 DOME-LAMP Automobile
1941 DOME-LAMP Automobile
1942 DOME-LAMP Automobile
1946 DOME-LAMP Automobile
1947 DOME-LAMP Automobile
1948 DOME-LAMP Automobile
1949 DOME-LAMP Automobile
1950 DOME-LAMP Automobile
1951 DOME-LAMP Automobile
1951 STEP-COURTESY-LAMP Automobile
1952-RAMBLER DOME-LAMP Automobile
1952 DOME-LAMP Automobile
1953-RAMBLER DOME-LAMP Automobile
1953 DOME-LAMP Automobile
1954-RAMBLER DOME-LAMP Automobile
1954 DOME-LAMP Automobile
1954 INDICATOR-LAMP Automobile
1955-6-VOLT MAP-LAMP Automobile
1955-6-VOLT TRUNK-COMPARTMENT-LAMP Automobile
1955-RAMBLER DOME-LAMP Automobile
1955 DOME-LAMP Automobile

Oldsmobile

1937 DOME-LAMP Automobile
1938 DOME-LAMP Automobile
1939 DOME-LAMP Automobile
1940 DOME-LAMP Automobile

Packard

1937 DOME-LAMP Automobile
1938-6,120 DOME-LAMP Automobile
1938-SUPER-8,12 DOME-LAMP Automobile
1938-SUPER8,12 DOME-LAMP Automobile
1939-12 DOME-LAMP Automobile
1939-6,120,SUPER-8 DOME-LAMP Automobile
1939-6,120,SUPER8 DOME-LAMP Automobile
1940 DOME-LAMP Automobile

1953 TRUNK-COMPARTMENT-LAMP Automobile
1954 TRUNK-COMPARTMENT-LAMP Automobile

Plymouth

1942 INSTRUMENT-PANEL-LAMP Automobile
1946 INSTRUMENT-PANEL-LAMP Automobile
1947 INSTRUMENT-PANEL-LAMP Automobile
1948 INSTRUMENT-PANEL-LAMP Automobile

Pontiac

1937 DOME-LAMP Automobile
1938 DOME-LAMP Automobile
1939 DOME-LAMP Automobile
1940 DOME-LAMP Automobile

REO

1953-6-VOLT INSTRUMENT-PANEL-LAMP Automobile / Truck
1954-6-VOLT INSTRUMENT-PANEL-LAMP Automobile / Truck
1955-6-VOLT INSTRUMENT-PANEL-LAMP Automobile / Truck
1956-6-VOLT INSTRUMENT-PANEL-LAMP Automobile / Truck

Seagrave

1942-6-VOLT DOME-LAMP Automobile / Truck
1942-6-VOLT INSTRUMENT-PANEL-LAMP Automobile / Truck
1942-6-VOLT TAIL-LAMP Automobile / Truck

Studebaker

1941 DOME-LAMP Automobile / Truck
1942 DOME-LAMP Automobile / Truck
1946 DOME-LAMP Automobile / Truck
1947 DOME-LAMP Automobile / Truck
1948 DOME-LAMP Automobile / Truck
1949 DOME-LAMP Automobile / Truck
1953 TRUNK-COMPARTMENT-LAMP Automobile

Willys

1953 DOME-LAMP Automobile / Truck
1953 MAP-LAMP Automobile
1954-STANDARD DOME-LAMP Automobile
1954-STANDARD INSTRUMENT-PANEL-LAMP Automobile