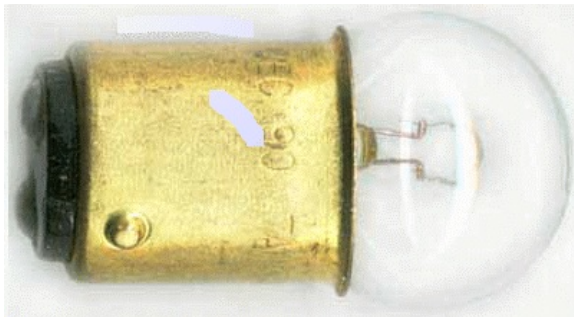


90DC USA

I/13V/0.58A/BA15D/G6/CL/750H

bulb specifications:

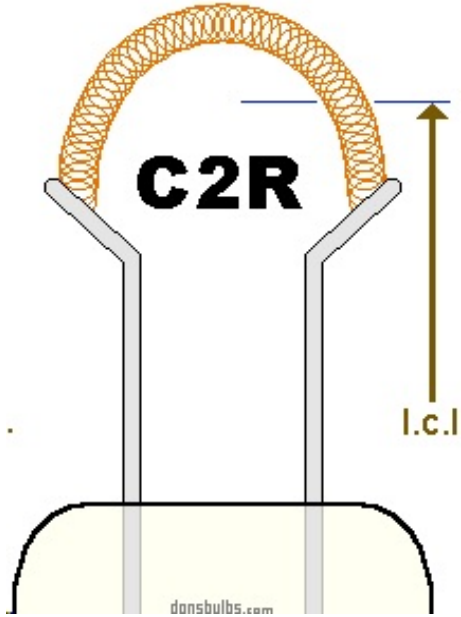
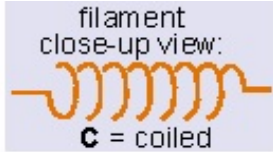
volt: 13
amp: 0.58
watt: 7.54
base: BA15d - Double Contact Candelabra Bayonet (or D.C.Bayonet)
glass: G6
filament: C2R
fil.res.: 22.4 ohm
m.o.l.: 1.44 inch (36.6MM)
l.c.l.: 0.752 inch (19.1MM)
i.lumens: 75.4
cp: 6
d.hours: 750
notes: FOR 6 VOLT USE: 82 USA
FOR NEAR SUBSTITUTION USE: 1004 USA
automobile lamp
clear glass
courtesy lamp
incandescent lamp
marine lamp
side light lamp
specs verified against ANSI-SR25D1997
tail lamp



typical photo of 90DC USA
I/13V/0.58A/BA15D/G6/CL/750H bulb
type



typical shape of G6 glass
envelopes



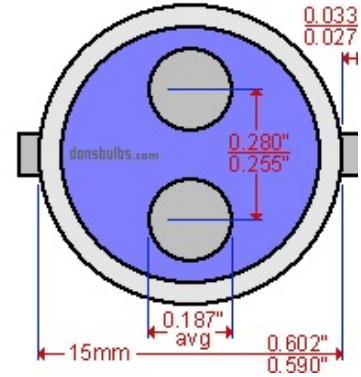
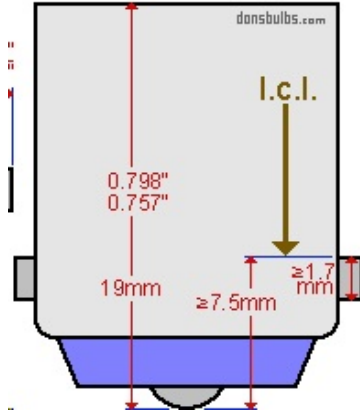
typical shape of C2R filament

BA15d

double contact bayonet
DC bayonet
double contact candelabra bayonet
SBC (British small bayonet cap)

IEC7004-11
DIN49721
IEC7005-13
DIN49642T6

A19A
A19E
A19C
A19E
B15c
SBC
DC
BD



BA15d - Double Contact Candelabra Bayonet (or D.C.Bayonet)