

93 is known as: **93 USA** \$3.76

**93 USA** bulb specifications:

category: **MINIATURE**

volt: **12.8**

amp: **1.04**

watt: **13.3**

base: **BA15s** - Single Contact Candelabra Bayonet  
(or S.C. Bayonet)

glass: **S8**

filament: **C2R**

fil.res.: **12.3** ohm

m.o.l.: **2** inches

l.c.l.: **1.12** inches

burn pos: burn lamp in **ANY** position

i.lumens: **189**

cp: **15**

d.hours: **500**

notes:

possible substitution: **1093 USA**

aircraft lamp

automobile lamp

clear glass

FOR 6 VOLT USE: **87 USA**

incandescent

interior lamp

side lamp

stop lamp

tail lamp

uses socket: **DB-BA15S1**

donsbulbs.com



typical photo of **93 USA** bulb type  
(your bulb may look slightly different)

**93 USA**

also known as

**Cross-Reference:**

112/S8/93/T

112/S8/93T

112S8/93/T

112S8/93T

351 TRIFA

1143 TUNGSRAM 12/S8/BA15S/12

12/S8/BA15S/12V

12/S8SC/12

12S8BA15S/12

12V/15CP/BA15S

12.8V/1.04A/BA15S/S8/C6

12407 PHILIPS

16810

20393-5

22795-9

23217

25813

34311

35478-93

35478-93-MILITARY-STANDARD

35478/93

142454 GENERAL-MOTORS

608500U MICROLAMP

031293410337 EIKO

031293410344 EIKO

031293410351 EIKO

A/4521/A

A/4521A

A4521 STANLEY

A4521/A

A4521A

AB/2906

AB2906

AGI/3414

AGI/AS/812

AGI/AS812

AGI3414

AS/3618 AIDLITE

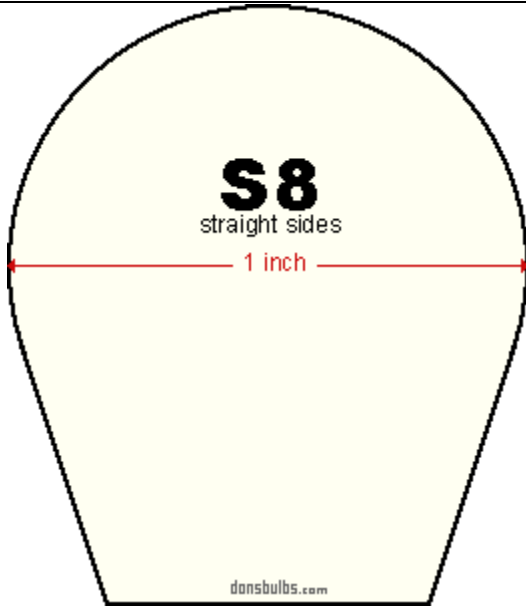
AS/4608

AS3618 AIDLITE

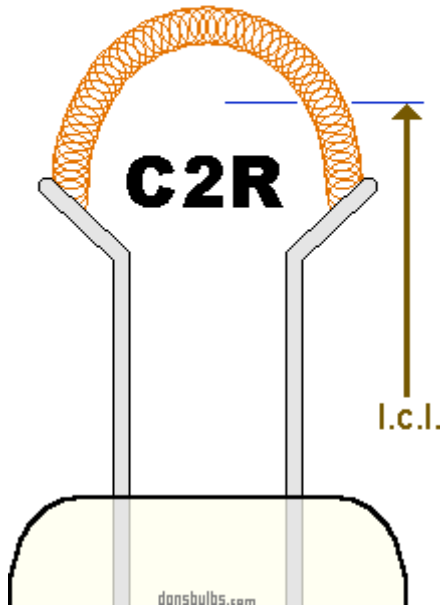
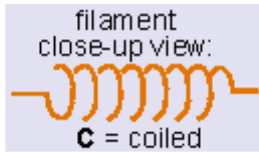
AS4608

V/7533

V7533  
 2557 FOCUS  
 4521 STANLEY  
 6240-00-014-2454  
 12403 PHILIPS



typical shape of S8 glass envelopes  
 (not to scale)



typical shape of C2R filament  
 (not to scale)

**93 USA** have been found in equipment: Ahrens

Fox

- 1945-VC,VR,YC,YR,EC,ER,FC-SPECIAL STOP-LAMP Automobile / Truck
- 1946-VC,VR,YC,YR,EC,ER,FC-SPECIAL STOP-LAMP Automobile / Truck
- 1947-VC,VR,YC,YR,EC,ER,FC-SPECIAL STOP-LAMP Automobile / Truck
- 1948-VC,VR,YC,YR,EC,ER,FC-SPECIAL STOP-LAMP Automobile / Truck
- 1949-VC,VR,YC,YR,EC,ER,FC-SPECIAL STOP-LAMP Automobile / Truck
- 1950-VC,VR,YC,YR,EC,ER,FC-SPECIAL STOP-LAMP Automobile / Truck
- 1951-VC,VR,YC,YR,EC,ER,FC-SPECIAL STOP-LAMP Automobile / Truck
- 1952-VC,YC,EC,FC-SPECIAL,HT,IT DOME-LAMP Automobile / Truck
- 1952-VC,YC,EC,FC-SPECIAL,HT,IT STOP-LAMP Automobile / Truck
- 1953-CUSTOM-BUILT-COMMERCIAL-12-VOLT STOP-LAMP Automobile / Truck
- 1954-CUSTOM-BUILT-COMMERCIAL-12-VOLT STOP-LAMP Automobile / Truck
- 1955-CUSTOM-BUILT-COMMERCIAL-12-VOLT STOP-LAMP Automobile / Truck

American La France

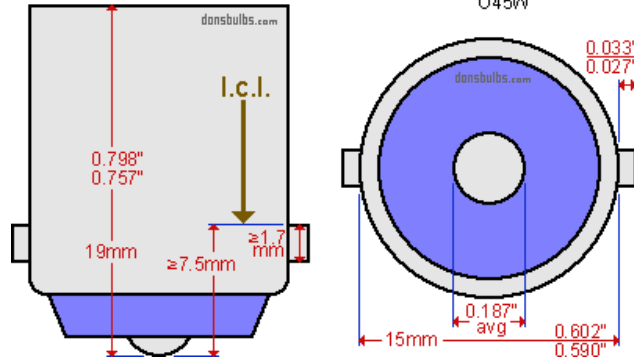
- 1947-700-SERIES-12-VOLT DOME-LAMP Automobile / Truck
- 1947-700-SERIES-12-VOLT STOP-LAMP Automobile / Truck
- 1947-700SERIES-12-VOLT DOME-LAMP Automobile / Truck
- 1947-700SERIES-12-VOLT STOP-LAMP Automobile / Truck
- 1948-700-SERIES-12-VOLT DOME-LAMP Automobile / Truck
- 1948-700-SERIES-12-VOLT STOP-LAMP Automobile / Truck
- 1948-700SERIES-12-VOLT DOME-LAMP Automobile / Truck
- 1948-700SERIES-12-VOLT STOP-LAMP Automobile / Truck
- 1949-700-SERIES-12-VOLT DOME-LAMP Automobile / Truck
- 1949-700-SERIES-12-VOLT STOP-LAMP Automobile / Truck
- 1949-700SERIES-12-VOLT DOME-LAMP Automobile / Truck
- 1949-700SERIES-12-VOLT STOP-LAMP Automobile / Truck

**BA15s** B15s  
 single contact bayonet  
 SC bayonet  
 single contact candelabra bayonet  
 SCC (British single centre contact)

IEC7004-11A9  
 DIN49720  
 IEC7005-13  
 DIN49642T6

E  
 E25W  
 F  
 F15W  
 G  
 P  
 P21W  
 R  
 R9W  
 R10W  
 R18W  
 R21W  
 U  
 U45W

A18B  
 A18C  
 A18F  
 A18G  
 SCC  
 SC



industry standards for base:

**BA15s** - Single Contact Candelabra Bayonet (or  
 S.C.Bayonet)  
 (not to scale)

1950 DOME-LAMP Automobile / Truck  
 1950 STOP-LAMP Automobile / Truck  
 1951 DOME-LAMP Automobile / Truck  
 1951 STOP-LAMP Automobile / Truck  
 1952 DOME-LAMP Automobile / Truck  
 1952 STOP-LAMP Automobile / Truck  
 1953 DOME-LAMP Automobile / Truck  
 1953 STOP-LAMP Automobile / Truck  
 1954 DOME-LAMP Automobile / Truck  
 1954 STOP-LAMP Automobile / Truck  
 1955 DOME-LAMP Automobile / Truck  
 1955 STOP-LAMP Automobile / Truck

**Autocar**

1942-12-VOLT-CABOVER-ENGINE DOME-LAMP Automobile / Truck  
 1942-12-VOLT-CONVENTIONAL DOME-LAMP Automobile / Truck  
 1942-12-VOLT-CONVENTIONAL STOP-LAMP Automobile / Truck  
 1950-12-VOLT-STANDARD DOME-LAMP Automobile / Truck  
 1951-ALL-DIESEL-12-VOLT DOME-LAMP Automobile / Truck  
 1951-GAS-DRIVEN-12-VOLT DOME-LAMP Automobile / Truck  
 1952-DIESEL-12-VOLT DOME-LAMP Automobile / Truck  
 1952-GAS-12-VOLT DOME-LAMP Automobile / Truck  
 1955-DIESEL DOME-LAMP Automobile / Truck  
 1955-DIESEL STOP-LAMP Automobile / Truck  
 1955-GAS DOME-LAMP Automobile / Truck

**Beech**

33 Aircraft

**Brockway**

1947-12-VOLT STOP-LAMP Automobile / Truck  
 1948-12-VOLT STOP-LAMP Automobile / Truck  
 1949-12-VOLT STOP-LAMP Automobile / Truck  
 1950-12-VOLT DOME-LAMP Automobile / Truck  
 1950-12-VOLT STOP-LAMP Automobile / Truck  
 1951-12-VOLT DOME-LAMP Automobile / Truck  
 1952-12-VOLT DOME-LAMP Automobile / Truck  
 1953-12-VOLT DOME-LAMP Automobile / Truck  
 1954-12-VOLT DOME-LAMP Automobile / Truck  
 1955-12-VOLT DOME-LAMP Automobile / Truck

**Cessna Aircraft**

205 Aircraft  
 206 Aircraft

**Chevrolet**

1955-12-VOLT TRUNK-COMPARTMENT-LAMP Automobile  
 1955-12-VOLT UNDER-HOOD-LAMP Automobile  
 1956-12-VOLT TRUNK-COMPARTMENT-LAMP Automobile  
 1956-12-VOLT UNDER-HOOD-LAMP Automobile  
 1957 TRUNK-COMPARTMENT-LAMP Automobile  
 1957 UNDER-HOOD-LAMP Automobile

**Chrysler**

1953-C-59 TRUNK-COMPARTMENT-LAMP Automobile  
1953-C-59 UNDER-HOOD-LAMP Automobile  
1953-C59 TRUNK-COMPARTMENT-LAMP Automobile  
1953-C59 UNDER-HOOD-LAMP Automobile  
1954-1066 TRUNK-COMPARTMENT-LAMP Automobile  
1954-1066 UNDER-HOOD-LAMP Automobile  
1955-12-VOLT-C-70 TRUNK-COMPARTMENT-LAMP Automobile  
1955-12-VOLT-C-70 UNDER-HOOD-LAMP Automobile  
1955-12-VOLT-C70 TRUNK-COMPARTMENT-LAMP Automobile  
1955-12-VOLT-C70 UNDER-HOOD-LAMP Automobile

**Corbitt**

1946-12-VOLT STOP-LAMP Automobile / Truck  
1947-12-VOLT STOP-LAMP Automobile / Truck  
1948-12-VOLT STOP-LAMP Automobile / Truck  
1949-12-VOLT STOP-LAMP Automobile / Truck  
1950-12-VOLT STOP-LAMP Automobile / Truck  
1951-12-VOLT STOP-LAMP Automobile / Truck  
1952-12-VOLT STOP-LAMP Automobile / Truck  
1953 STOP-LAMP Automobile / Truck  
1954 STOP-LAMP Automobile / Truck  
1955 STOP-LAMP Automobile / Truck

**Diamond T**

1947-12-VOLT DOME-LAMP Automobile / Truck  
1948-12-VOLT DOME-LAMP Automobile / Truck  
1949-12-VOLT DOME-LAMP Automobile / Truck  
1950-12-VOLT DOME-LAMP Automobile / Truck  
1951-12-VOLT DOME-LAMP Automobile / Truck  
1952-12-VOLT DOME-LAMP Automobile / Truck  
1953-12-VOLT DOME-LAMP Automobile / Truck  
1954-12-VOLT DOME-LAMP Automobile / Truck  
1955-12-VOLT DOME-LAMP Automobile / Truck  
1956-12-VOLT DOME-LAMP Automobile / Truck  
1957-12-VOLT DOME-LAMP Automobile / Truck

**Duplex**

1955-12-VOLT DOME-LAMP Automobile / Truck  
1956-12-VOLT DOME-LAMP Automobile / Truck

**Federal Manufacturing Engineering Corporation**

1942-12-VOLT DOME-LAMP Automobile / Truck

**Ford**

1948-12-VOLT,DIESELS DOME-LAMP Automobile / Truck  
1948-12-VOLT-,DIESELS DOME-LAMP Automobile / Truck  
1949-12-VOLT,DIESELS DOME-LAMP Automobile / Truck  
1949-12-VOLT-,DIESELS DOME-LAMP Automobile / Truck  
1956-12-VOLT UNDER-HOOD-LAMP Automobile

**FWD**

1953-12-VOLT DOME-LAMP Automobile / Truck  
1954-12-VOLT DOME-LAMP Automobile / Truck

1955 DOME-LAMP Automobile / Truck  
1956 DOME-LAMP Automobile / Truck  
1957 DOME-LAMP Automobile / Truck  
**GMC**  
1941-DIESEL STOP-LAMP Automobile / Truck  
1941-SOME-COACHES STOP-LAMP Automobile / Truck  
1946-COACHES-TD-3206,3609,4007,4506;TG-3206,3609;PD,PDA,PG,PGA DIRECTION-LAMP Automobile / Truck  
1946-COACHES-TD-3206,3609,4007,4506;TG-3206,3609;PD,PDA,PG,PGA STOP-LAMP Automobile / Truck  
1946-COACHES-TD3206,3609,4007,4506;TG3206,3609;-PD,PDA,PG,PGA DIRECTION-LAMP Automobile / Truck  
1946-COACHES-TD3206,3609,4007,4506;TG3206,3609;-PD,PDA,PG,PGA STOP-LAMP Automobile / Truck  
1946-COACHES-TD3206,3609,4007,4506;TG3206,3609;PD,PDA,PG,PGA DIRECTION-LAMP Automobile / Truck  
1946-COACHES-TD3206,3609,4007,4506;TG3206,3609;PD,PDA,PG,PGA STOP-LAMP Automobile / Truck  
1947-COACHES-TD-3206,3609,4007,4506;TG-3206,3609;PD,PDA,PG,PGA DIRECTION-LAMP Automobile / Truck  
1947-COACHES-TD-3206,3609,4007,4506;TG-3206,3609;PD,PDA,PG,PGA STOP-LAMP Automobile / Truck  
1947-COACHES-TD3206,3609,4007,4506;TG3206,3609;-PD,PDA,PG,PGA DIRECTION-LAMP Automobile / Truck  
1947-COACHES-TD3206,3609,4007,4506;TG3206,3609;-PD,PDA,PG,PGA STOP-LAMP Automobile / Truck  
1947-COACHES-TD3206,3609,4007,4506;TG3206,3609;PD,PDA,PG,PGA DIRECTION-LAMP Automobile / Truck  
1947-COACHES-TD3206,3609,4007,4506;TG3206,3609;PD,PDA,PG,PGA STOP-LAMP Automobile / Truck  
1948-12-VOLT-DIESEL DIRECTION-LAMP Automobile / Truck  
1948-12-VOLT-DIESEL STOP-LAMP Automobile / Truck  
1949-12-VOLT-HDC,HDF DOME-LAMP Automobile / Truck  
1949-12-VOLT-HDC,HDF STOP-LAMP Automobile / Truck  
1950-12-VOLT-HDC,HDF DOME-LAMP Automobile / Truck  
1950-12-VOLT-HDC,HDF STOP-LAMP Automobile / Truck  
1951-12-VOLT-HDC,HDF DOME-LAMP Automobile /

Truck  
1951-12-VOLT-HDC,HDF STOP-LAMP Automobile / Truck  
1952-12-VOLT-HDC,HDF DOME-LAMP Automobile / Truck  
1952-12-VOLT-HDC,HDF STOP-LAMP Automobile / Truck  
1953-12-VOLT-HDC,HDF DOME-LAMP Automobile / Truck  
1953-12-VOLT-HDC,HDF STOP-LAMP Automobile / Truck  
1954-12-VOLT DOME-LAMP Automobile / Truck  
1955-12-VOLT DOME-LAMP Automobile / Truck  
1955-12-VOLT STOP-LAMP Automobile / Truck

**Hendrickson**  
1951-12-VOLT DOME-LAMP Automobile / Truck  
1952-12-VOLT DOME-LAMP Automobile / Truck  
1953-12-VOLT DOME-LAMP Automobile / Truck  
1954-12-VOLT DOME-LAMP Automobile / Truck  
1955-12-VOLT DOME-LAMP Automobile / Truck  
1956-12-VOLT DOME-LAMP Automobile / Truck

**International**  
1942-12-VOLT DIRECTION-LAMP Automobile / Truck  
1942-12-VOLT DOME-LAMP Automobile / Truck  
1946-12-VOLT DIRECTION-LAMP Automobile / Truck  
1946-12-VOLT DOME-LAMP Automobile / Truck  
1947-12-VOLT DIRECTION-LAMP Automobile / Truck  
1947-12-VOLT DOME-LAMP Automobile / Truck  
1948-12-VOLT DOME-LAMP Automobile / Truck  
1949-12-VOLT DOME-LAMP Automobile / Truck  
1950-12-VOLT DOME-LAMP Automobile / Truck  
1951-12-VOLT DOME-LAMP Automobile / Truck  
1952-12-VOLT DOME-LAMP Automobile / Truck  
1953-12-VOLT DOME-LAMP Automobile / Truck  
1954-12-VOLT DOME-LAMP Automobile / Truck  
1955-12-VOLT DOME-LAMP Automobile / Truck  
1956-12-VOLT DOME-LAMP Automobile / Truck  
1957-12-VOLT DOME-LAMP Automobile / Truck

**Kenworth**  
1942-12-VOLT STOP-LAMP Automobile / Truck  
1947-12-VOLT DOME-LAMP Automobile / Truck  
1947-12-VOLT STOP-LAMP Automobile / Truck  
1948-12-VOLT DOME-LAMP Automobile / Truck  
1948-12-VOLT STOP-LAMP Automobile / Truck  
1949-12-VOLT DOME-LAMP Automobile / Truck  
1949-12-VOLT STOP-LAMP Automobile / Truck  
1950-12-VOLT DOME-LAMP Automobile / Truck  
1950-12-VOLT STOP-LAMP Automobile / Truck  
1951-12-VOLT DOME-LAMP Automobile / Truck  
1951-12-VOLT STOP-LAMP Automobile / Truck  
1952-12-VOLT DOME-LAMP Automobile / Truck  
1952-12-VOLT STOP-LAMP Automobile / Truck  
1953-12-VOLT DOME-LAMP Automobile / Truck  
1953-12-VOLT STOP-LAMP Automobile / Truck  
1954-12-VOLT DOME-LAMP Automobile / Truck

1954-12-VOLT STOP-LAMP Automobile / Truck  
1955-12-VOLT DOME-LAMP Automobile / Truck  
1955-12-VOLT STOP-LAMP Automobile / Truck  
1956-12-VOLT DOME-LAMP Automobile / Truck  
1956-12-VOLT STOP-LAMP Automobile / Truck  
1957-12-VOLT DOME-LAMP Automobile / Truck  
1957-12-VOLT STOP-LAMP Automobile / Truck

**Lincoln Zephyr**

1956-12-VOLT UNDER-HOOD-LAMP Automobile  
1957 UNDER-HOOD-LAMP Automobile

**Mack**

1942-12-VOLT DOME-LAMP Automobile / Truck  
1942-12-VOLT STOP-LAMP Automobile / Truck  
1946-12-VOLT DOME-LAMP Automobile / Truck  
1946-12-VOLT STOP-LAMP Automobile / Truck  
1947-12-VOLT DOME-LAMP Automobile / Truck  
1947-12-VOLT STOP-LAMP Automobile / Truck

**Mercury**

1956-12-VOLT UNDER-HOOD-LAMP Automobile  
1957 UNDER-HOOD-LAMP Automobile

**Oshkosh**

1941-12-VOLT DIRECTION-LAMP Automobile /  
Truck

1941-12-VOLT STOP-LAMP Automobile / Truck  
1942-12-VOLT DIRECTION-LAMP Automobile /  
Truck

1942-12-VOLT STOP-LAMP Automobile / Truck  
1944-12-VOLT DIRECTION-LAMP Automobile /  
Truck

1944-12-VOLT DOME-LAMP Automobile / Truck  
1944-12-VOLT STOP-LAMP Automobile / Truck  
1945-12-VOLT DIRECTION-LAMP Automobile /  
Truck

1945-12-VOLT DOME-LAMP Automobile / Truck  
1945-12-VOLT STOP-LAMP Automobile / Truck  
1946-12-VOLT DIRECTION-LAMP Automobile /  
Truck

1946-12-VOLT DOME-LAMP Automobile / Truck  
1946-12-VOLT STOP-LAMP Automobile / Truck  
1947-12-VOLT DIRECTION-LAMP Automobile /  
Truck

1947-12-VOLT DOME-LAMP Automobile / Truck  
1947-12-VOLT STOP-LAMP Automobile / Truck  
1949-12-VOLT DOME-LAMP Automobile / Truck  
1949-12-VOLT STOP-LAMP Automobile / Truck  
1950-12-VOLT DOME-LAMP Automobile / Truck  
1950-12-VOLT INSTRUMENT-PANEL-

LAMP Automobile / Truck

1950-12-VOLT STOP-LAMP Automobile / Truck  
1951-12-VOLT DOME-LAMP Automobile / Truck  
1951-12-VOLT INSTRUMENT-PANEL-  
LAMP Automobile / Truck

1951-12-VOLT STOP-LAMP Automobile / Truck

**Pontiac**

1955-12-VOLT TRUNK-COMPARTMENT-  
LAMP Automobile

1955-12-VOLT UNDER-HOOD-LAMP Automobile  
1956-12-VOLT UNDER-HOOD-LAMP Automobile

1957 UNDER-HOOD-LAMP Automobile

**REO**

1946-12-VOLT DOME-LAMP Automobile / Truck

1947-12-VOLT DOME-LAMP Automobile / Truck

1948-12-VOLT DOME-LAMP Automobile / Truck

1949-12-VOLT DOME-LAMP Automobile / Truck

1950-12-VOLT DOME-LAMP Automobile / Truck

1951-12-VOLT DIRECTION-LAMP Automobile /

Truck

1951-12-VOLT DOME-LAMP Automobile / Truck

1954-12-VOLT DOME-LAMP Automobile / Truck

1955-12-VOLT DOME-LAMP Automobile / Truck

**Seagrave**

1942-12-VOLT STOP-LAMP Automobile / Truck

1946-12-VOLT-12-J DOME-LAMP Automobile / Truck

1946-12-VOLT-12-J STOP-LAMP Automobile / Truck

1946-12-VOLT-12J DOME-LAMP Automobile / Truck

1946-12-VOLT-12J STOP-LAMP Automobile / Truck

1947-12-VOLT-12-J DOME-LAMP Automobile / Truck

1947-12-VOLT-12-J STOP-LAMP Automobile / Truck

1947-12-VOLT-12J DOME-LAMP Automobile / Truck

1947-12-VOLT-12J STOP-LAMP Automobile / Truck

1948-12-VOLT-12-J DOME-LAMP Automobile / Truck

1948-12-VOLT-12-J STOP-LAMP Automobile / Truck

1948-12-VOLT-12J DOME-LAMP Automobile / Truck

1948-12-VOLT-12J STOP-LAMP Automobile / Truck

1949-12-VOLT-12-J DOME-LAMP Automobile / Truck

1949-12-VOLT-12-J STOP-LAMP Automobile / Truck

1949-12-VOLT-12J DOME-LAMP Automobile / Truck

1949-12-VOLT-12J STOP-LAMP Automobile / Truck

1950-12-VOLT-12-J DOME-LAMP Automobile / Truck

1950-12-VOLT-12-J STOP-LAMP Automobile / Truck

1950-12-VOLT-12J DOME-LAMP Automobile / Truck

1950-12-VOLT-12J STOP-LAMP Automobile / Truck

1951-12-VOLT-12-J DOME-LAMP Automobile / Truck

1951-12-VOLT-12-J STOP-LAMP Automobile / Truck

1951-12-VOLT-12J DOME-LAMP Automobile / Truck

1951-12-VOLT-12J STOP-LAMP Automobile / Truck

1952-12-VOLT STOP-LAMP Automobile / Truck

1953 DIRECTION-LAMP Automobile /

Truck front:1141,rear:93

1953 DOME-LAMP Automobile / Truck

1953 PARKING-LAMP Automobile / Truck

1953 STOP-LAMP Automobile / Truck

1954 DOME-LAMP Automobile / Truck

1954 PARKING-LAMP Automobile / Truck

1954 TAIL-LAMP Automobile / Truck

1955 DIRECTION-LAMP Automobile /

Truck front:1141,rear:93

1955 DOME-LAMP Automobile / Truck

1955 PARKING-LAMP Automobile / Truck

1955 STOP-LAMP Automobile / Truck

**Walter Voss Incorporated**

1947-12-VOLT DIRECTION-LAMP Automobile /

Truck

1947-12-VOLT DOME-LAMP Automobile / Truck

1947-12-VOLT STOP-LAMP Automobile / Truck

1948-12-VOLT DIRECTION-LAMP Automobile /



Truck  
1948-12-VOLT DOME-LAMP Automobile / Truck  
1948-12-VOLT STOP-LAMP Automobile / Truck  
1949-12-VOLT DIRECTION-LAMP Automobile /  
Truck  
1949-12-VOLT DOME-LAMP Automobile / Truck  
1949-12-VOLT STOP-LAMP Automobile / Truck  
1950-12-VOLT DIRECTION-LAMP Automobile /  
Truck  
1950-12-VOLT DOME-LAMP Automobile / Truck  
1950-12-VOLT STOP-LAMP Automobile / Truck  
1951-12-VOLT DIRECTION-LAMP Automobile /  
Truck  
1951-12-VOLT DOME-LAMP Automobile / Truck  
1951-12-VOLT STOP-LAMP Automobile / Truck  
1952-12-VOLT DIRECTION-LAMP Automobile /  
Truck  
1952-12-VOLT DOME-LAMP Automobile / Truck  
1952-12-VOLT STOP-LAMP Automobile / Truck  
1953-12-VOLT DIRECTION-LAMP Automobile /  
Truck  
1953-12-VOLT DOME-LAMP Automobile / Truck  
1953-12-VOLT STOP-LAMP Automobile / Truck  
1954 DOME-LAMP Automobile / Truck  
1954 STOP-LAMP Automobile / Truck  
1955 DOME-LAMP Automobile / Truck  
1955 STOP-LAMP Automobile / Truck

**Ward-La France**  
1947-12-VOLT STOP-LAMP Automobile / Truck  
1948-12-VOLT STOP-LAMP Automobile / Truck  
1949-12-VOLT STOP-LAMP Automobile / Truck  
1950-12-VOLT STOP-LAMP Automobile / Truck  
1951-12-VOLT STOP-LAMP Automobile / Truck  
1952-12-VOLT STOP-LAMP Automobile / Truck  
1953-12-VOLT STOP-LAMP Automobile / Truck  
1954-12-VOLT STOP-LAMP Automobile / Truck  
1955-12-VOLT STOP-LAMP Automobile / Truck  
1956-12-VOLT STOP-LAMP Automobile / Truck  
1957-12-VOLT STOP-LAMP Automobile / Truck

**White**  
1951-12-VOLT DOME-LAMP Automobile / Truck  
1952-12-VOLT DOME-LAMP Automobile / Truck  
1953-12-VOLT DOME-LAMP Automobile / Truck  
1954-12-VOLT DOME-LAMP Automobile / Truck  
1955-12-VOLT DOME-LAMP Automobile / Truck  
1956-12-VOLT DOME-LAMP Automobile / Truck  
1957-12-VOLT DOME-LAMP Automobile / Truck